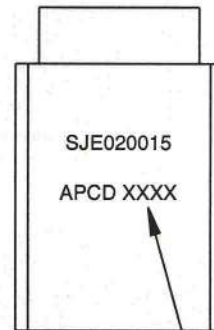
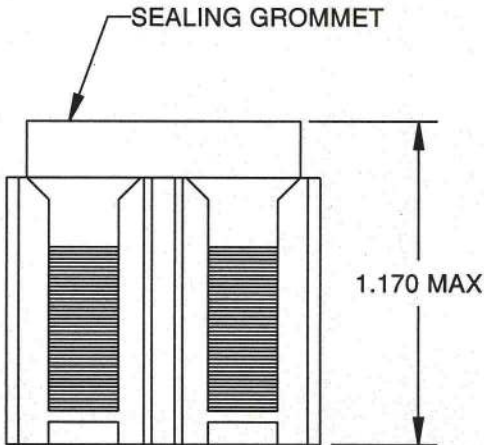
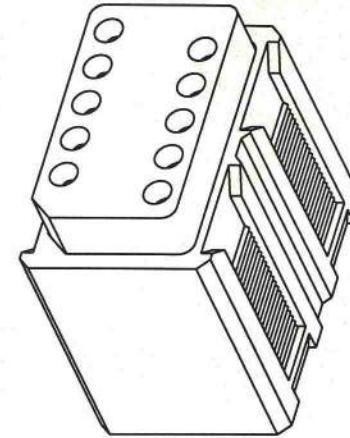
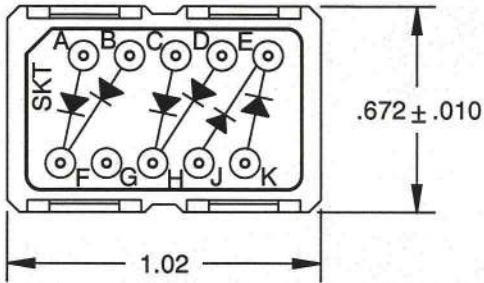


REV	ECN	APP'D
-	6242	<i>Jane 7/16/08</i>



DATE CODE

NOTES:

- MATERIALS:**
 BODY: POLYETHERIMIDE PER ASTM-D5205.
 GROMMET: SILICONE BLEND ELASTOMER.
 DIODE: JANTX1N649-1.
 INTERNAL PIN CONTACT:
 COPPER ALLOY, HARD GOLD PLATE PER MIL-DTL-45204.
- PERFORMANCE SPECIFICATION PER MIL-T-81714.**
 (SUBJECT TO LIMITATIONS OF THE ELECTRONIC COMPONENTS)
 TEMPERATURE: -65° C TO 200° C.
 INSULATION RESISTANCE: 5000 MEGOHMS MIN AT 25° C.
 DIELECTRIC WITHSTANDING VOLTAGE:
 1500 VRMS AT SEA LEVEL,
 AND 200 VRMS AT 100,000 FT. ALTITUDE.
 CURRENT RATING: 7.5A FOR SIZE 20 CONTACTS.
 VIBRATION AND SHOCK: PER MIL-T-81714 PARA 3.5.8 & 9.
- MODULE ACCEPTS SOCKET CONTACTS (10) M39029/22-192.
- MODULE TO BE MOUNTED ON M81714/67 RAIL SYSTEM.

DIMENSIONS ANSI Y14.5M UNITS: INCHES Pro/E FILE	TOLERANCES .XX ± 0.01 .XXX ± 0.005 ANGLES ± 1.0°	PROJECTION 	Amphenol Pcd		TITLE SJE SERIES ELECTRONIC MODULE JANTX1N649-1 DIODE (6)		
			ENGR M. DiGIACOMO 11-Jul-08		SIZE	DWG NO.	REV
ORIGINAL 	THIS DOCUMENT CONTAINS PROPRIETARY INFORMATION WHICH IS THE CONFIDENTIAL PROPERTY OF AMPHENOL PCD PEABODY, MA, USA		CHKD 7/16/08	A	SJE020015	-	
			APPD 7/16/08	CODE: 58982	SCALE: NONE	SHEET 1 OF 1	