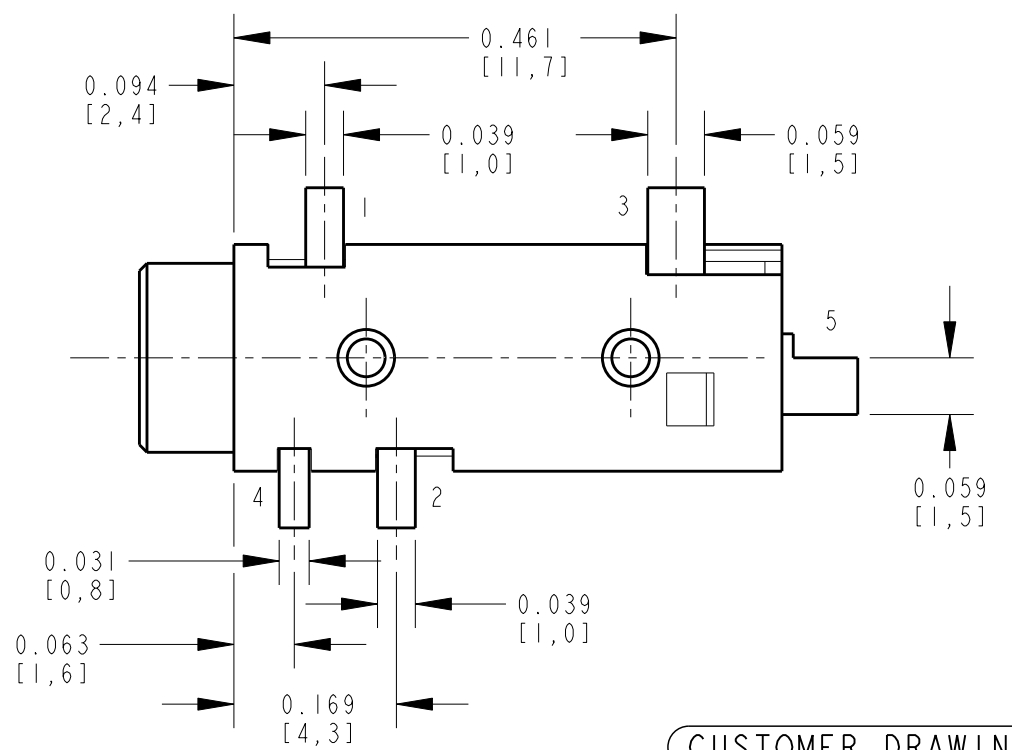
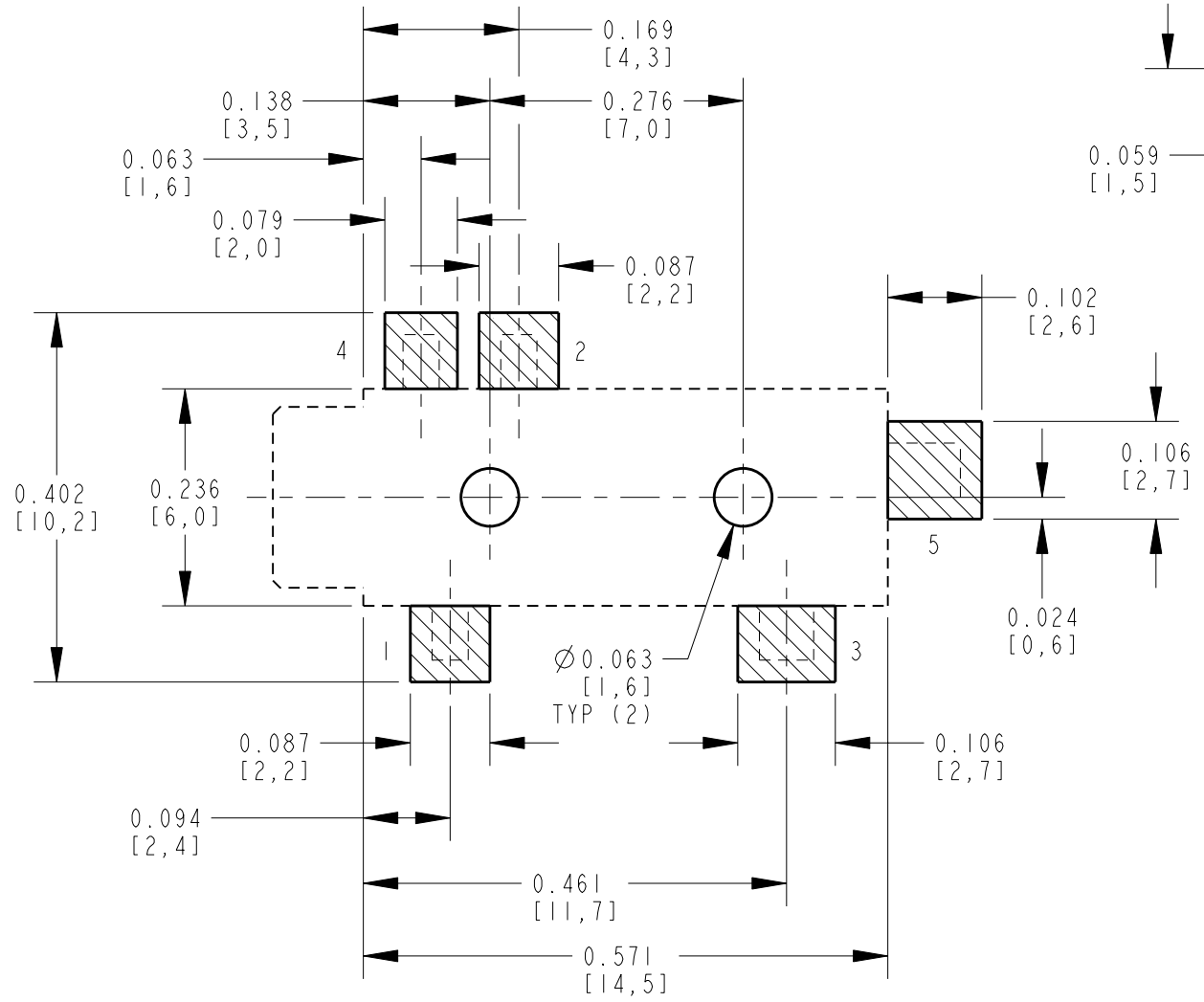
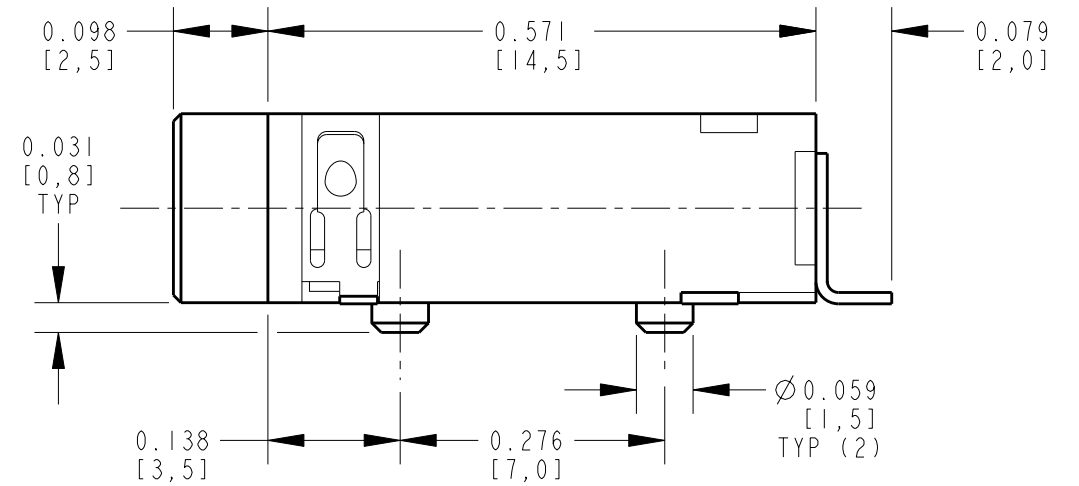
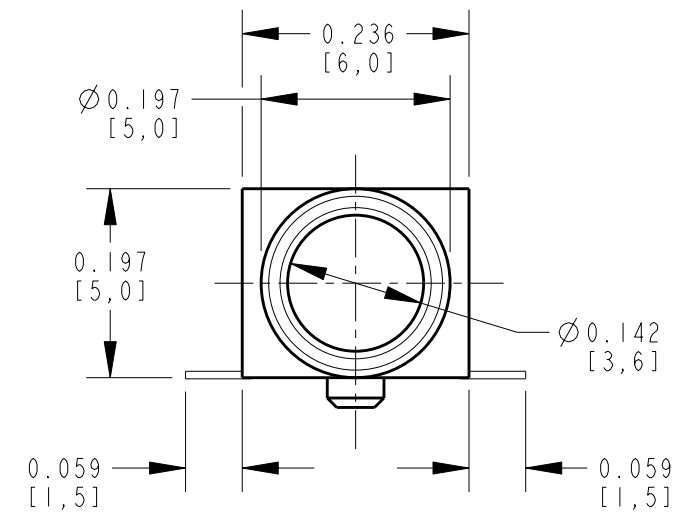


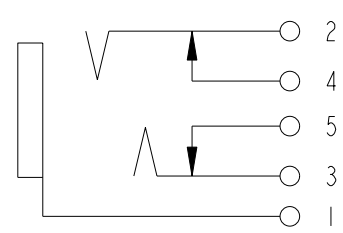
NOTES:

1. ALL DIMENSIONS ARE REFERENCE.
2. MATERIALS:  
HOUSING: THERMOPLASTIC, BLACK  
TERMINALS: COPPER ALLOY, GOLD PLATED (B)
3. SUPPLIED ON TAPE AND REEL, SEE SHEET 2.
4. THIS PRODUCT IS RoHS COMPLIANT.



PCB LAYOUT  
COMPONENT SIDE

CUSTOMER DRAWING



SCHEMATIC

REV	ECO NUMBER	DATE	BY	APVD
C	27337	7-30-14	TO	TJK
B	26972	6-20-12	TO	TJK
A	25182	1-13-06	JL	GG

REVISIONS

★ STAR SYMBOL DENOTES CRITICAL DIMENSION

UNLESS OTHERWISE SPECIFIED

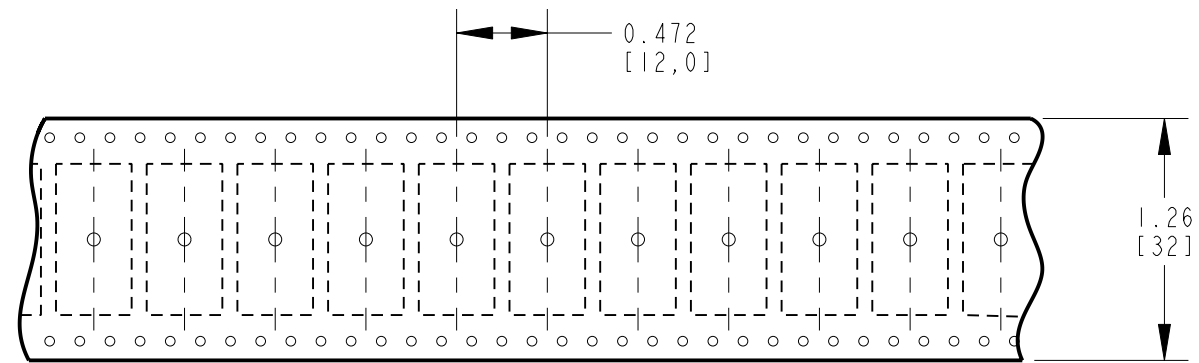
1. ALL DIMENSIONS IN INCHES  
- TWO PLACE DECIMALS ±0.01  
- THREE PLACE DECIMALS ±0.005  
- ANGLES ±1°  
- ALL DIA. CONCENTRIC WITHIN 0.005 T.I.R.
2. FEATURES ON THE SAME CENTERLINE MUST BE ALIGNED WITHIN ±0.002
3. REMOVE ALL BURRS

DO NOT SCALE DRAWING

THIS DRAWING DESCRIBES A DESIGN CONSIDERED PROPRIETARY IN NATURE, DEVELOPED AND MANUFACTURED BY SWITCHCRAFT INC. AND IS RELEASED ON A CONFIDENTIAL BASIS FOR IDENTIFICATION PURPOSES ONLY.				
SIZE	WIDTH	MULT	LBS/M	TEMPER
FINISH		MATERIAL		
SPEC No.		SPEC No.		
FIRST USED ON		SCALE		
		NONE		
DATE DRAWN	BY	CHKD	APVD	
13-Jan-06	JL	GG	GG	
		1-13-06		1-13-06
NAME			PART No.	REV
3.5MM PHONE JACK SURFACE MOUNT, RoHS			35RASMT4BHNTRX	C
SHEET 1 OF 2				

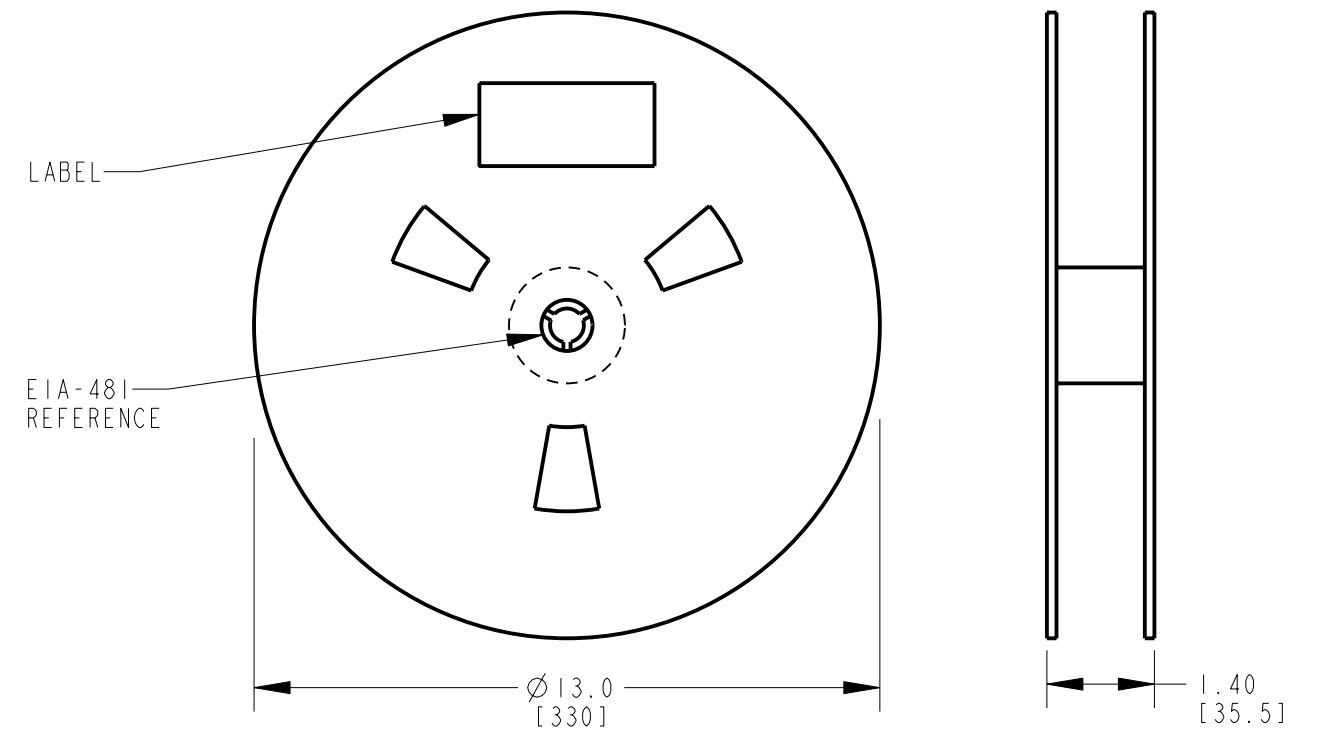
A: CARRIER SIZE

1. DETAIL SIZES REFERENCE: EIA-481
2. SPECIFICATION: 32 MM X 12 MM
3. COVER TAPE: SPECIFICATION ATTACHED (CONDUCTIVE)



B: REEL SIZE

1. QUANTITY: 1000 PCS/REEL BC
2. MATERIAL: THERMOPLASTIC



CUSTOMER DRAWING

SCALE NONE	<b>Switchcraft</b> <sup>®</sup>	
DATE DRAWN 13-Jan-06		
DRAWN BY JL	PART No. 35RASMT4BHNTRX	REV C