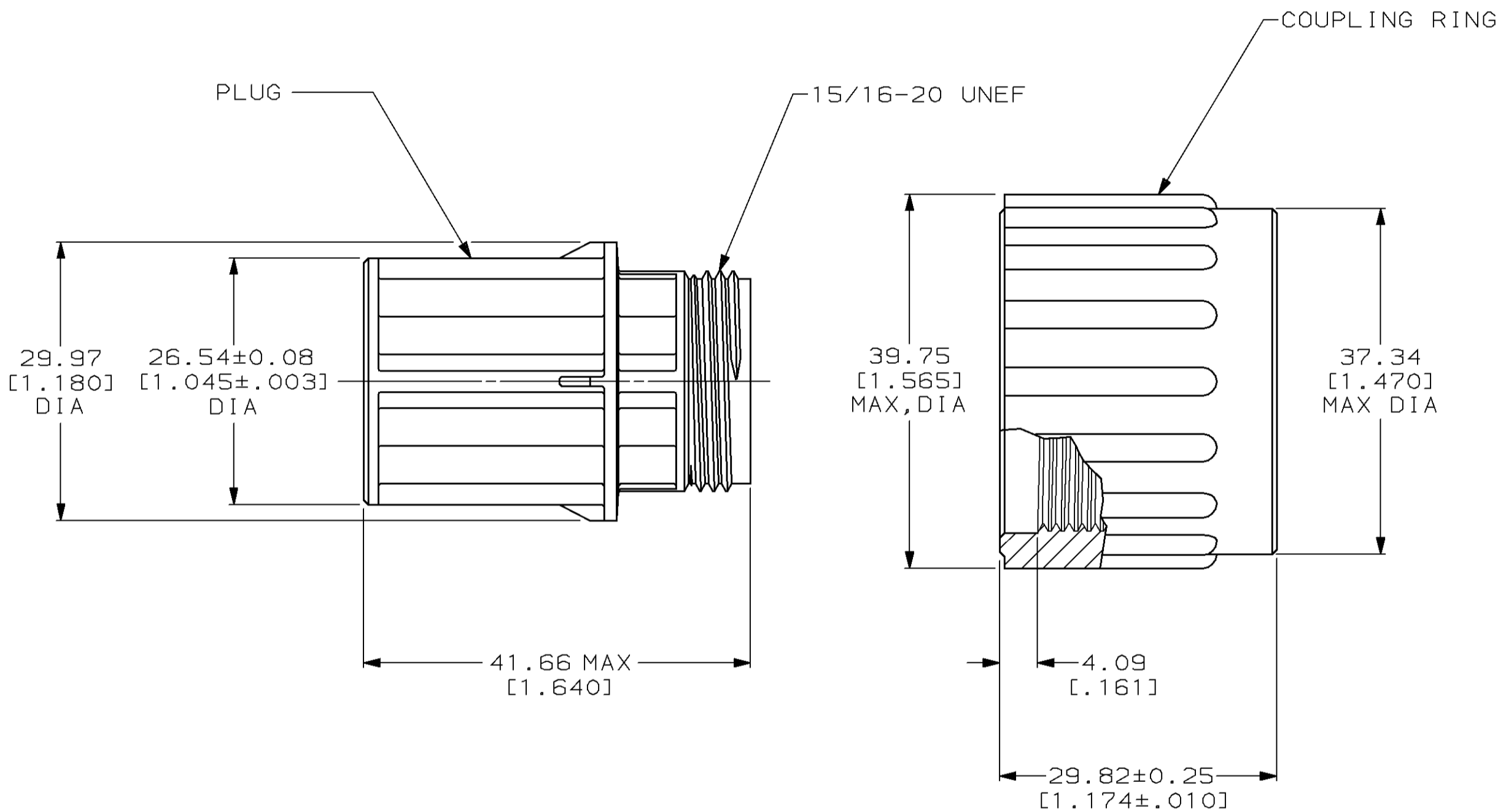
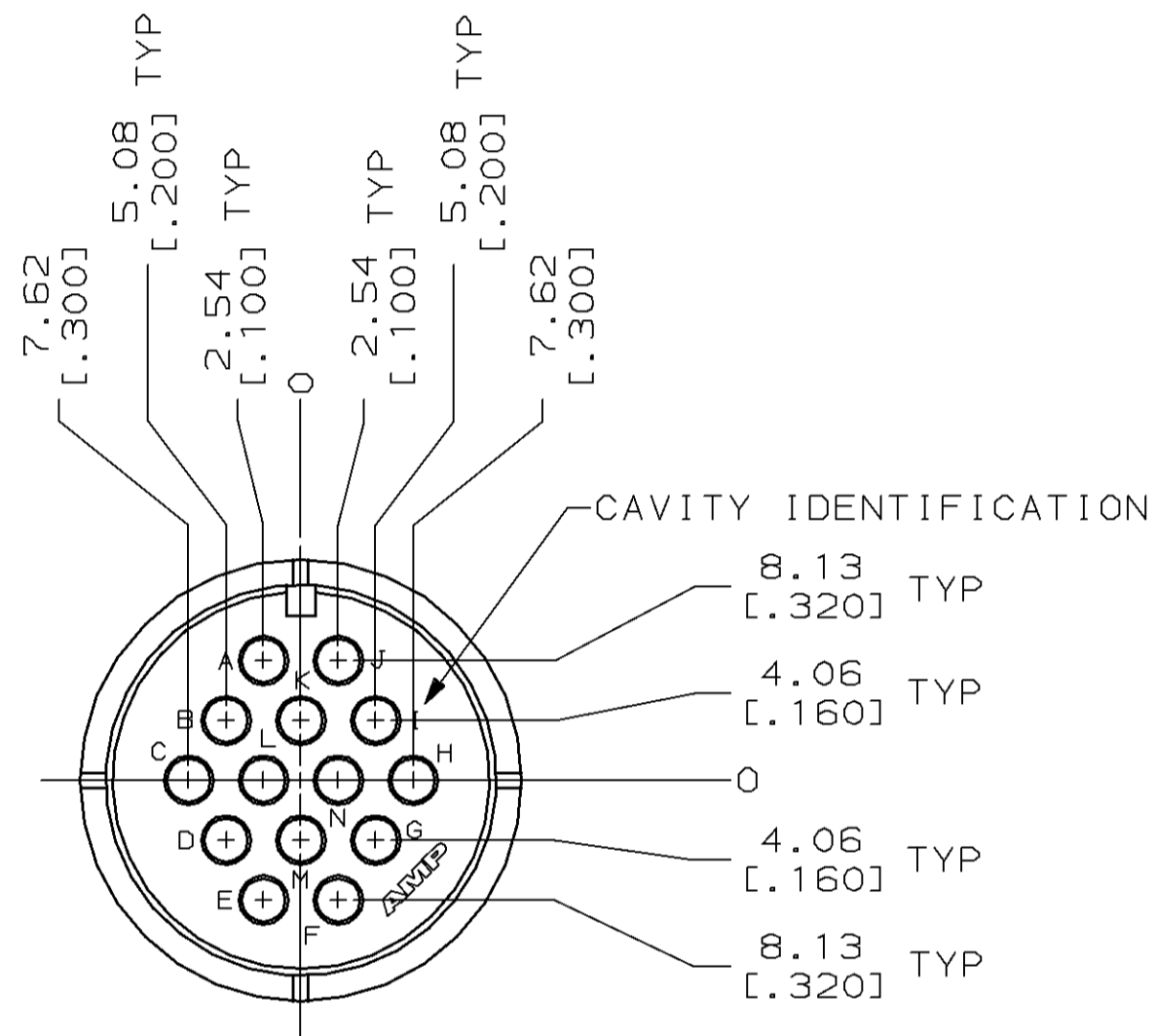


THIS DRAWING IS UNPUBLISHED. RELEASED FOR PUBLICATION, 19 .
 © COPYRIGHT 19 BY AMP INCORPORATED. ALL INTERNATIONAL RIGHTS RESERVED.

MOD	LOC	DIST	P	F	ZONE	LTR	DESCRIPTION	DATE	APPD
4	BD	35					RLSE PER NPR 3280, WAS 90-5029-3-2	01/18/91	KB
							REVISED PER ECN BD6148	04/21/92	KB
							REV PER EC 0020-299-93	04/07/93	RW
							REV PER EC 0020-155-94	03/10/94	AF
							REV PER EC 0020-0740-94	07/13/94	AF

1. PLUG MATES WITH PRODUCT DESIGNED TO MIL SPEC 5015.
2. PLUG ACCEPTS TYPE III+ SOCKET CONTACTS.
3. PARTS BULK PACKAGED.



DO NOT SCALE PRINT. UNLESS SPECIFIED DIMENSIONS IN mm [INCHES] TOLERANCES ON : 2 PLC DEC ± 0.13 [0.005] 3 PLC DEC ± - ANGLES ± -		DR 01/18/91 L.SIPE	AMP Incorporated Harrisburg, PA 17105-3608	
MATERIAL POLYAMID, BLACK	CHK 1-31-91 R.STONE	APPD 1-31-91 K.BEAVER		
FINISH -	APPD 1-31-91 J.FULPONI	PRODUCT SPEC 108-10024	NAME PLUG KIT, UNASSEMBLED, 20-14 ARR, STD SEX, CPC	
	APPLICATION SPEC 114-10004	SIZE C	CAGE CODE 00779	DRAWING NO 213652
	WEIGHT -	SCALE 2:1	SHEET 1 OF 1	

CUSTOMER DRAWING