



Main

Range of Product	Telemecanique Photoelectric sensors XU
Series name	Application material handling
Electronic sensor type	Photo-electric sensor
Sensor name	XUY
Sensor design	Compact 50 x 50
Detection system	Diffuse
Material	Plastic
Supply circuit type	DC
Wiring Technique	5-wire
Discrete output type	PNP
Analogue output range	4...20 mA
Electrical connection	1 male connector M12, 5 pins
Product Specific Application	Measuring thickness of mechanical parts Position control of robot arm
Emission	Red laser, pulsed 0.000025591 in (650 nm) - class 1 IEC 825-1
[Sn] nominal sensing distance	3.15...11.81 in (80...300 mm)

Complementary

Enclosure Material	ABS, anti-shock
Pulse frequency	2.5 kHz
Linearity	< 0.25 %
Spot diameter	0.21 in (5.25 mm) at 80 mm
Spot dimension	1.5 x 3.5 mm at 80 mm
Resolution	200 µm
Status LED	Supply on 1 LED (green) Dirty 1 LED (red)
[Us] rated supply voltage	24 V DC reverse polarity protection
Supply voltage limits	18...28 V DC
Switching capacity in mA	100 mA (overload and short-circuit protection)
Switching frequency	< 40 Hz
Maximum voltage drop	<2.4 V (closed state)
Current consumption	40 mA (no-load)
Maximum delay response	40 Ms (output circuit medium speed mode) 0.4 ms (output circuit fast speed mode)
Setting-up	Parameterizing by buttons
Net Weight	0.13 lb(US) (0.057 kg)

Environment

Product Certifications	CE
Ambient Air Temperature for Operation	32...113 °F (0...45 °C)
Ambient Air Temperature for Storage	-4...140 °F (-20...60 °C)
Immunity to ambient light	5000 lux (natural light)
Vibration resistance	7 gn +/- 1.5 mm (10...55 Hz) IEC 60068-2-6
Shock resistance	30 gn (11 ms) IEC 60068-2-27
IP degree of protection	IP67 IEC 60529

Ordering and shipping details

Category	22481-SENSORS, PHOTOELECTRIC
Discount Schedule	DS2
GTIN	3389119027885
Nbr. of units in pkg.	1
Package weight(Lbs)	2.05 oz (58.0 g)
Returnability	No
Country of origin	DE

Packing Units

Unit Type of Package 1	PCE
Package 1 Height	1.18 in (3 cm)
Package 1 width	2.76 in (7 cm)
Package 1 Length	3.94 in (10 cm)
Unit Type of Package 2	S01
Number of Units in Package 2	10
Package 2 Weight	27.20 oz (771.0 g)
Package 2 Height	5.91 in (15 cm)
Package 2 width	5.91 in (15 cm)
Package 2 Length	15.75 in (40 cm)

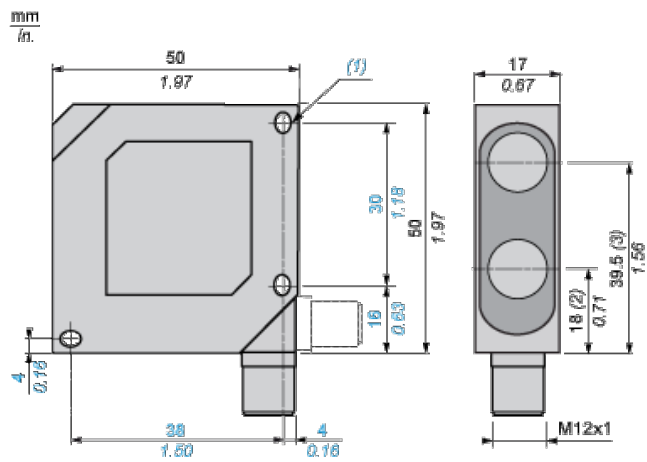
Offer Sustainability

California proposition 65	WARNING: This product can expose you to chemicals including: Diisononyl phthalate (DINP), which is known to the State of California to cause cancer, and Di-isodecyl phthalate (DIDP), which is known to the State of California to cause birth defects or other reproductive harm. For more information go to www.P65Warnings.ca.gov
REACH Regulation	REACH Declaration
EU RoHS Directive	Pro-active compliance (Product out of EU RoHS legal scope) EU RoHS Declaration
Mercury free	Yes
RoHS exemption information	Yes

Contractual warranty

Warranty	18 months
----------	-----------

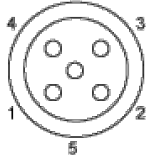
Dimensions



- (1) 2 elongated holes $\text{Ø } 4.3 \times 4$
- (2) Transmitter optical axis
- (3) Receiver optical axis

Wiring Schemes

M12



- 1: Brown
- 2: White
- 3: Blue
- 4: Black
- 5: Grey

PNP Output

PNP	BN	18-28 V
	WH	QA
	BU	0 V
	BK	Q
	GY	IN

- BN : Brown : 18-28V
- WH : White : 4-20 mA analogue output (R< 500 Ohm)
- BU : Blue : 0 V
- BK : Black : OUT/Output
- GY : Grey : IN

Adjustment Curves

