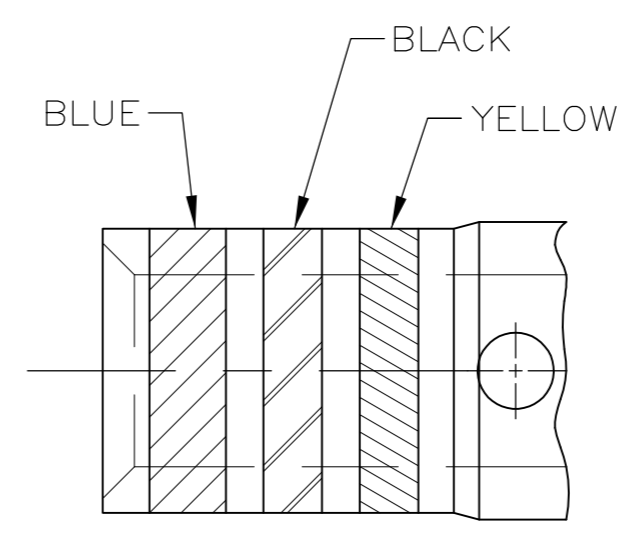
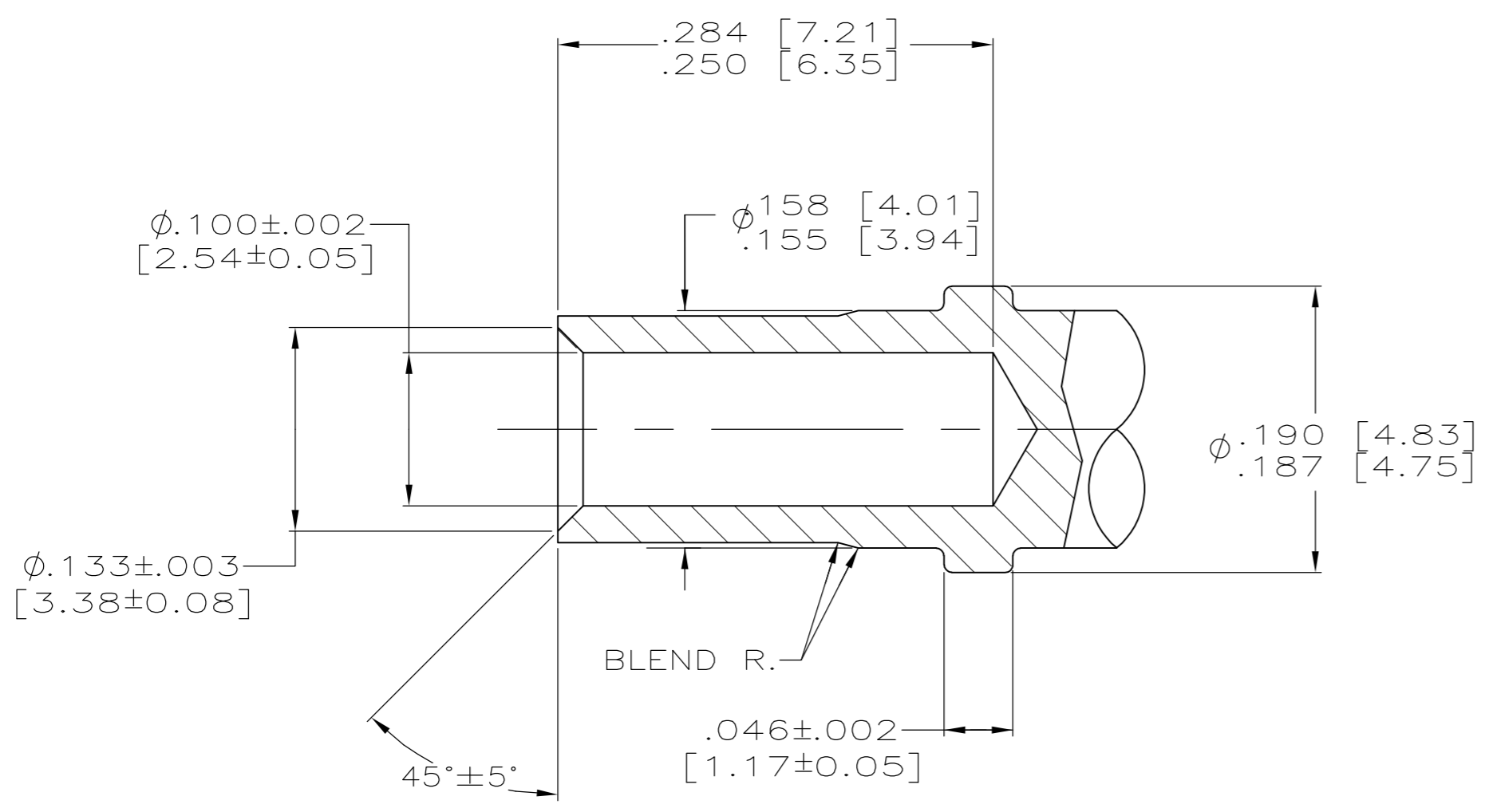
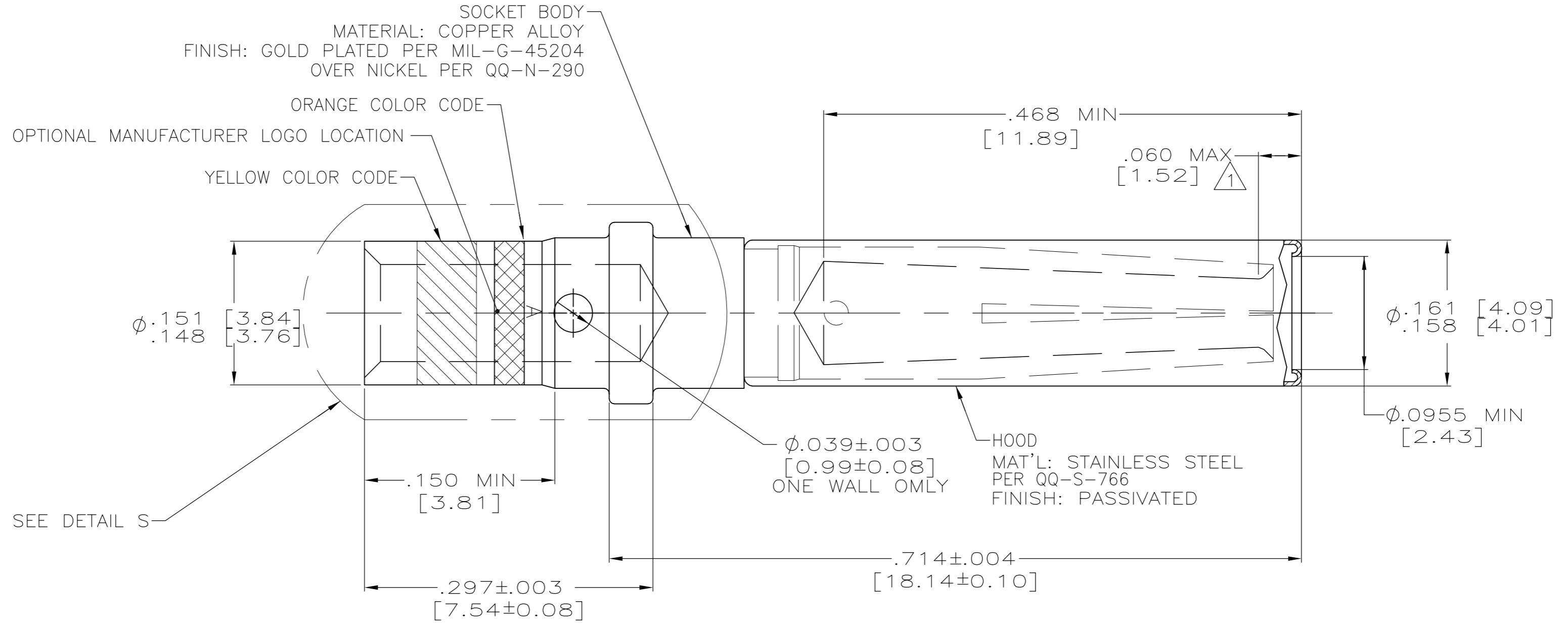


THIS DRAWING IS UNPUBLISHED. RELEASED FOR PUBLICATION
 © COPYRIGHT - By - ALL RIGHTS RESERVED.

REVISIONS				DATE	DWN	APVD
P	LTR	DESCRIPTION				
F		REV PER ECO 11-016604	8-16-11	CT	WB	

⚠ ELECTRICAL ENGAGEMENT POINT.



DETAIL A
 COLOR CODE
 (208273-4 ONLY)

SEE DETAIL A	208273-4
AS SHOWN	208273-2
REMARKS	PART NO.

THIS DRAWING IS A CONTROLLED DOCUMENT.		DWN	C.C.THOMAS	9/11/98																				
DIMENSIONS: INCHES		CHK	S.GLATFELTER	9-14-98																				
TOLERANCES UNLESS OTHERWISE SPECIFIED:		APVD	S.GLATFELTER	9-14-98																				
<table border="1"> <tr><td>0 PLC</td><td>±</td><td>-</td></tr> <tr><td>1 PLC</td><td>±</td><td>-</td></tr> <tr><td>2 PLC</td><td>±</td><td>-</td></tr> <tr><td>3 PLC</td><td>±</td><td>.005 [0.13]</td></tr> <tr><td>4 PLC</td><td>±</td><td>-</td></tr> <tr><td>ANGLES</td><td>±</td><td>-</td></tr> </table>		0 PLC	±	-				1 PLC	±	-	2 PLC	±	-	3 PLC	±	.005 [0.13]	4 PLC	±	-	ANGLES	±	-	PRODUCT SPEC	-
0 PLC	±	-																						
1 PLC	±	-																						
2 PLC	±	-																						
3 PLC	±	.005 [0.13]																						
4 PLC	±	-																						
ANGLES	±	-																						
MATERIAL: SEE CALLOUTS		FINISH	SEE CALLOUTS	WEIGHT	-	SIZE	A2	CAGE CODE	00779	DRAWING NO	C=208273	RESTRICTED TO	-											
SCALE		10:1		SHEET		1 of 1		REV		F														