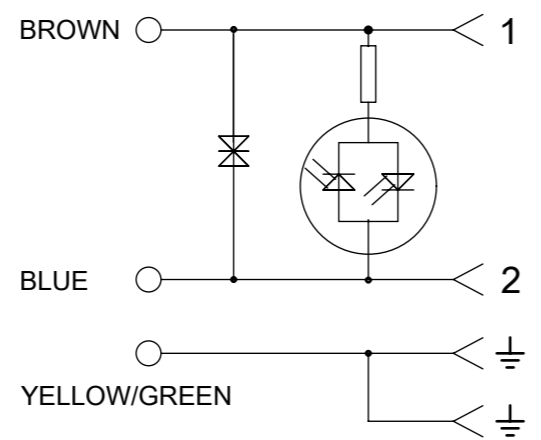
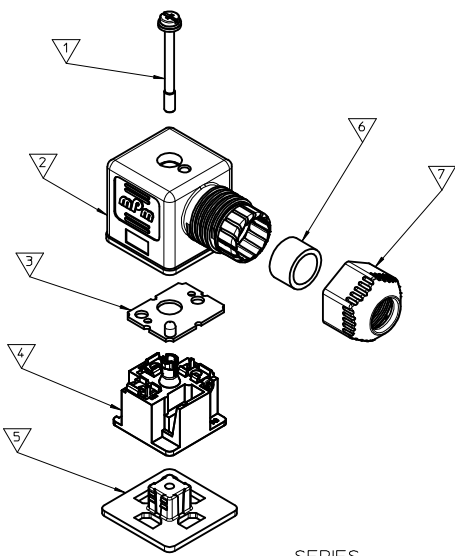


- NOTES:
1. PRODUCT SPEC: SEE PS-121201-001
 2. PACKAGING SPEC: SEE PK-121201-001
 3. CABLE SIZES 4 - 9 mm DIAMETER
 4. TIGHTENING TORQUE: SEE PS-121201-001
 5. GROUND POSITION SHOWN H12
 6. TRANSIL P6KE200CA
 7. IP67 RATED
 8. VOLTAGE 110 V AC/DC
 9. NITRILE RUBBER GASKET -40 TO +90° C
- LAST INSPECTION NUMBER USED 8

ITEM	DESCRIPTION
1	M3 SCREW WITH IP67 GASKET
2	TYPE A COVER TRANSPARENT
3	GROMMET
4	EXTERNAL NUT
5	PCB
6	TYPE A 2 POLE INSERT ASSEMBLY
7	TYPE A GASKET



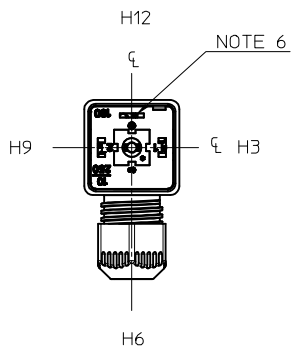
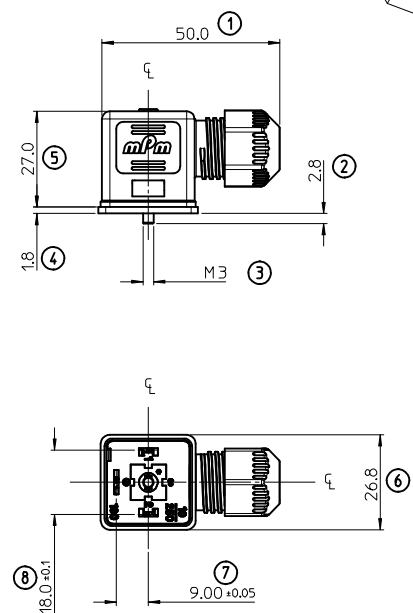
QUALITY SYMBOLS										THIS DRAWING CONTAINS INFORMATION THAT IS PROPRIETARY TO MOLEX ELECTRONIC TECHNOLOGIES, LLC AND SHOULD NOT BE USED WITHOUT WRITTEN PERMISSION									
FA	=	0	ORIGINAL RELEASE	2017/01/20	2017/03/06	2017/03/24	GENERAL TOLERANCES (UNLESS SPECIFIED)		DIMENSION UNITS	SCALE									
FE	=	0					ANGULAR TOL ± 2.0 °		MM	1.5:1									
FB	=	0					4 PLACES ±	3 PLACES ±	DRWN BY	DATE									
FC	=	0	2 PLACES ± 0.1	1 PLACE ± 0.2	BCAFFREY	2016/12/13													
FD	=	0	0 PLACES ±	DRAFT WHERE APPLICABLE MUST REMAIN WITHIN DIMENSIONS		CHK'D BY	DATE	SMCGREEVY		2017/03/06		PRODUCT CUSTOMER DRAWING							
FE	=	0	EC NO: 111316	DRWN: BCAFFREY	CHK'D: SMCGRREEVY	APPR: DMAHER	DATE	DMAHER		2017/03/24						SERIES	MATERIAL NUMBER	CUSTOMER	
FF	=	0					DRAWING SIZE	THIRD ANGLE PROJECTION	A3				121207	1212070125					
FG	=	0											DOCUMENT NUMBER	DOC TYPE	DOC PART	SHEET NUMBER			
FH	=	0											1212070125	PSD	000	1 OF 1			



ITEM	DESCRIPTION
1	M3 SCREW WITH GASKET
2	TYPE A COVER
3	PCB
4	TYPE A INSERT
5	TYPE A GASKET
6	GROMMET
7	EXTERNAL NUT

S28200NC410R**

SERIES _____
 S28= EXTERNAL THREAD FORM A
 POLES _____
 2= 2 POLE
 THREAD _____
 00 = EXTERNAL THREAD
 MATERIAL AND HOUSING COLOR _____
 G= PA6 GRAY, N= PA6 BLACK, W= PA6 BLACK V0, T= TRANSPARENT
 CIRCUIT _____
 SEE DETAILS IN CATALOGUE
 VOLTAGE _____
 SEE DETAILS IN CATALOGUE
 GROUND POSITION _____
 0= UNMOUNTED, 2= H12, 3=H3, 6 =H6 & 9= H9
 SCREW AND GASKET _____
 R= INTEGRATED NBR GASKET AND IP67 SCREW
 S= INTEGRATED SILICON GASKET AND IP67 SCREW
 NON STANDARD PACKAGING _____
 CN= BULK PACK UN-MOUNTED
 SN= BULK PACK MOUNTED
 67= NEUTRAL PACKAGING
 SA= UL LISTED



NOTES

- FOR SPECIFIC PART NUMBERS PLEASE CONTACT SALES OR CONSULT THE INTELLIGENT PART NUMBERS IN THE TABLE ATTACHED
- PRODUCT SPEC: SEE PS-121201-001
- PACKAGING SPEC: SEE PK-121201-001
- CABLE SIZES 4 - 9 mm DIAMETER
- TIGHTENING TORQUE: SEE PS-121201-001
- GROUND POSITION SHOWN H12

LAST INSPECTION NUMBER USED 8

ADDED P/N EC NO: IPG2014-0491 DRW:HSHEA 2013/09/11 CHKD:SMGREVY 2013/09/13 APPR:STGERLFIN 2013/09/26	QUALITY SYMBOLS ▽=0 ▽=0	GENERAL TOLERANCES (UNLESS SPECIFIED)		DIMENSION STYLE MM ONLY		SCALE 1:1	DESIGN UNITS METRIC	THIRD ANGLE PROJECTION	
		4 PLACES ± --- ± --- 3 PLACES ± --- ± --- 2 PLACES ± 0.1 ± --- 1 PLACE ± 0.2 ± --- ANGULAR ± ---°	mm INCH ± --- ± --- ± 0.1 ± --- ± 0.2 ± --- ± ---°	DRAWN BY DMAHER_WEU	DATE 2010/03/15	TITLE TYPE A 2P ASSEMBLY SERIES 121207		MOLEX INCORPORATED	
G	DESCRIPTION	DRAFT WHERE APPLICABLE MUST REMAIN WITHIN DIMENSIONS		APPROVED BY JWALLACE	DATE 2010/03/24	DOCUMENT NO. SD-121207-001		SHEET NO. 1 OF 6	
		SIZE A 2		THIS DRAWING CONTAINS INFORMATION THAT IS PROPRIETARY TO MOLEX INCORPORATED AND SHOULD NOT BE USED WITHOUT WRITTEN PERMISSION					

Part No	MPM Part No	DESCRIPTION	CIRCUIT	VOLTAGE	INDICATOR
1212070062	S28200TA010R	TYPE A 2 POLE TRANSPARENT	A0	12v	LAMP/NEON
1212070063	S28200TA020R	TYPE A 2 POLE TRANSPARENT	A0	24v	LAMP/NEON
1212070064	S28200TA030R	TYPE A 2 POLE TRANSPARENT	A0	48v	LAMP/NEON
1212070065	S28200TA040R	TYPE A 2 POLE TRANSPARENT	A0	115v	LAMP/NEON
1212070066	S28200TA050R	TYPE A 2 POLE TRANSPARENT	A0	230v	LAMP/NEON

Part No	MPM Part No	DESCRIPTION	CIRCUIT	VOLTAGE	INDICATOR
1212070067	S28200TA110R	TYPE A 2 POLE TRANSPARENT	A1	12v	RED LED
1212070068	S28200TA120R	TYPE A 2 POLE TRANSPARENT	A1	24v	RED LED
1212070069	S28200TA130R	TYPE A 2 POLE TRANSPARENT	A1	48v	RED LED
1212070070	S28200TA140R	TYPE A 2 POLE TRANSPARENT	A1	115v	RED LED
1212070071	S28200TA150R	TYPE A 2 POLE TRANSPARENT	A1	230v	RED LED
1212070072	S28200TA1A0R	TYPE A 2 POLE TRANSPARENT	A1	12v	GREEN LED
1212070073	S28200TA1B0R	TYPE A 2 POLE TRANSPARENT	A1	24v	GREEN LED
1212070074	S28200TA1C0R	TYPE A 2 POLE TRANSPARENT	A1	48v	GREEN LED
1212070075	S28200TA1D0R	TYPE A 2 POLE TRANSPARENT	A1	115v	GREEN LED
1212070076	S28200TA1E0R	TYPE A 2 POLE TRANSPARENT	A1	230v	GREEN LED
1212070077	S28200TA1G0R	TYPE A 2 POLE TRANSPARENT	A1	12v	AMBER LED
1212070078	S28200TA1H0R	TYPE A 2 POLE TRANSPARENT	A1	24v	AMBER LED
1212070079	S28200TA1K0R	TYPE A 2 POLE TRANSPARENT	A1	48v	AMBER LED
1212070080	S28200TA1L0R	TYPE A 2 POLE TRANSPARENT	A1	115v	AMBER LED
1212070081	S28200TA1M0R	TYPE A 2 POLE TRANSPARENT	A1	230v	AMBER LED
1212070534	S28200TA1H0RSA	TYPE A 2 POLE TRANSPARENT UL LISTED	A1	24v	AMBER LED

Part No	MPM Part No	DESCRIPTION	CIRCUIT	VOLTAGE	INDICATOR
1212070082	S28200TC310R	TYPE A 2 POLE TRANSPARENT	C3	12v	RED LED
1212070001	S28200TC320R	TYPE A 2 POLE TRANSPARENT	C3	24v	RED LED
1212070083	S28200TC330R	TYPE A 2 POLE TRANSPARENT	C3	48v	RED LED
1212070084	S28200TC340R	TYPE A 2 POLE TRANSPARENT	C3	115v	RED LED
1212070085	S28200TC350R	TYPE A 2 POLE TRANSPARENT	C3	230v	RED LED
1212070086	S28200TC3A0R	TYPE A 2 POLE TRANSPARENT	C3	12v	GREEN LED
1212070087	S28200TC3B0R	TYPE A 2 POLE TRANSPARENT	C3	24v	GREEN LED
1212070088	S28200TC3C0R	TYPE A 2 POLE TRANSPARENT	C3	48v	GREEN LED
1212070089	S28200TC3D0R	TYPE A 2 POLE TRANSPARENT	C3	115v	GREEN LED
1212070090	S28200TC3E0R	TYPE A 2 POLE TRANSPARENT	C3	230v	GREEN LED
1212070091	S28200TC3G0R	TYPE A 2 POLE TRANSPARENT	C3	12v	AMBER LED
1212070002	S28200TC3H0R	TYPE A 2 POLE TRANSPARENT	C3	24v	AMBER LED
1212070092	S28200TC3K0R	TYPE A 2 POLE TRANSPARENT	C3	48v	AMBER LED
1212070093	S28200TC3L0R	TYPE A 2 POLE TRANSPARENT	C3	115v	AMBER LED
1212070094	S28200TC3M0R	TYPE A 2 POLE TRANSPARENT	C3	230v	AMBER LED

Part No	MPM Part No	DESCRIPTION	CIRCUIT	VOLTAGE	INDICATOR
1212070095	S28200TC410R	TYPE A 2 POLE TRANSPARENT	C4	12v	RED LED
1212070004	S28200TC420R	TYPE A 2 POLE TRANSPARENT	C4	24v	RED LED
1212070096	S28200TC430R	TYPE A 2 POLE TRANSPARENT	C4	48v	RED LED
1212070006	S28200TC440R	TYPE A 2 POLE TRANSPARENT	C4	115v	RED LED
1212070097	S28200TC450R	TYPE A 2 POLE TRANSPARENT	C4	230v	RED LED
1212070098	S28200TC4A0R	TYPE A 2 POLE TRANSPARENT	C4	12v	GREEN LED
1212070099	S28200TC4B0R	TYPE A 2 POLE TRANSPARENT	C4	24v	GREEN LED
1212070100	S28200TC4C0R	TYPE A 2 POLE TRANSPARENT	C4	48v	GREEN LED
1212070101	S28200TC4D0R	TYPE A 2 POLE TRANSPARENT	C4	115v	GREEN LED
1212070102	S28200TC4E0R	TYPE A 2 POLE TRANSPARENT	C4	230v	GREEN LED
1212070103	S28200TC4G0R	TYPE A 2 POLE TRANSPARENT	C4	12v	AMBER LED
1212070005	S28200TC4H0R	TYPE A 2 POLE TRANSPARENT	C4	24v	AMBER LED
1212070104	S28200TC4K0R	TYPE A 2 POLE TRANSPARENT	C4	48v	AMBER LED
1212070105	S28200TC4L0R	TYPE A 2 POLE TRANSPARENT	C4	115v	AMBER LED
1212070106	S28200TC4M0R	TYPE A 2 POLE TRANSPARENT	C4	230v	AMBER LED

Part No	MPM Part No	DESCRIPTION	CIRCUIT	VOLTAGE	INDICATOR
1212070107	S28200TD010R	TYPE A 2 POLE TRANSPARENT	D0	12v	VDR
1212070108	S28200TD020R	TYPE A 2 POLE TRANSPARENT	D0	24v	VDR
1212070109	S28200TD030R	TYPE A 2 POLE TRANSPARENT	D0	48v	VDR
1212070110	S28200TD040R	TYPE A 2 POLE TRANSPARENT	D0	115v	VDR
1212070111	S28200TD050R	TYPE A 2 POLE TRANSPARENT	D0	230v	VDR

Part No	MPM Part No	DESCRIPTION	CIRCUIT	VOLTAGE	INDICATOR
1212070116	S28200NE050R	TYPE A 2 POLE BLACK	E0	230v	DIODE

Part No	MPM Part No	DESCRIPTION - BULK PACKED
1212070003	S28200TC3B0RCN	S282 T W PCB C3 24V GREEN LED BULK
1212070061	S28200TC420RCN	S282 T W PCB C4 24V RED LED BULK

SEE SHEET 1 EC NO: PG2014-0491 DRAWN: JHEA 2013/09/11 CHKD: SMGREVY 2013/09/13 APPR: STGRIFIN 2013/09/26	QUALITY SYMBOLS ▽=0 ▽=0	GENERAL TOLERANCES (UNLESS SPECIFIED)		DIMENSION STYLE MM ONLY		SCALE 1:1	DESIGN UNITS METRIC	THIRD ANGLE PROJECTION		
		4 PLACES ± --- ± --- 3 PLACES ± --- ± --- 2 PLACES ± 0.1 ± --- 1 PLACE ± 0.2 ± --- ANGULAR ± ---°		DRAWN BY DMAHER_WEU 2010/03/15		DATE 2010/03/15		TITLE TYPE A 2P ASSEMBLY SERIES 121207		
		DRAFT WHERE APPLICABLE MUST REMAIN WITHIN DIMENSIONS		APPROVED BY JWALLACE 2010/03/24		DATE 2010/03/24		DOCUMENT NO. SD-121207-001		SHEET NO. 2 OF 6
		THIS DRAWING CONTAINS INFORMATION THAT IS PROPRIETARY TO MOLEX INCORPORATED AND SHOULD NOT BE USED WITHOUT WRITTEN PERMISSION								

Part No	MPM Part No	DESCRIPTION	CIRCUIT	VOLTAGE	INDICATOR
1212070117	S28200TS010R	TYPE A 2 POLE TRANSPARENT	S0	12v	RED LED
1212070118	S28200TS020R	TYPE A 2 POLE TRANSPARENT	S0	24v	RED LED
1212070119	S28200TS030R	TYPE A 2 POLE TRANSPARENT	S0	48v	RED LED
1212070120	S28200TS040R	TYPE A 2 POLE TRANSPARENT	S0	115v	RED LED
1212070121	S28200TS050R	TYPE A 2 POLE TRANSPARENT	S0	230v	RED LED
1212070122	S28200TSA00R	TYPE A 2 POLE TRANSPARENT	S0	12v	GREEN LED
1212070123	S28200TS0B0R	TYPE A 2 POLE TRANSPARENT	S0	24v	GREEN LED
1212070124	S28200TS0C0R	TYPE A 2 POLE TRANSPARENT	S0	48v	GREEN LED
1212070125	S28200TS0D0R	TYPE A 2 POLE TRANSPARENT	S0	115v	GREEN LED
1212070126	S28200TS0E0R	TYPE A 2 POLE TRANSPARENT	S0	230v	GREEN LED
1212070127	S28200TS0G0R	TYPE A 2 POLE TRANSPARENT	S0	12v	AMBER LED
1212070128	S28200TS0H0R	TYPE A 2 POLE TRANSPARENT	S0	24v	AMBER LED
1212070129	S28200TS0K0R	TYPE A 2 POLE TRANSPARENT	S0	48v	AMBER LED
1212070130	S28200TS0L0R	TYPE A 2 POLE TRANSPARENT	S0	115v	AMBER LED
1212070131	S28200TS0M0R	TYPE A 2 POLE TRANSPARENT	S0	230v	AMBER LED

Part No	MPM Part No	DESCRIPTION	CIRCUIT	VOLTAGE	INDICATOR
1212070504	S28200TA110RCN	TYPE A 2 POLE TRANSPARENT	A1	12v	RED LED
1212070505	S28200TA120RCN	TYPE A 2 POLE TRANSPARENT	A1	24v	RED LED
1212070506	S28200TA130RCN	TYPE A 2 POLE TRANSPARENT	A1	48v	RED LED
1212070507	S28200TA140RCN	TYPE A 2 POLE TRANSPARENT	A1	115v	RED LED
1212070508	S28200TA150RCN	TYPE A 2 POLE TRANSPARENT	A1	230v	RED LED
1212070509	S28200TA1A0RCN	TYPE A 2 POLE TRANSPARENT	A1	12v	GREEN LED
1212070510	S28200TA1B0RCN	TYPE A 2 POLE TRANSPARENT	A1	24v	GREEN LED
1212070511	S28200TA1C0RCN	TYPE A 2 POLE TRANSPARENT	A1	48v	GREEN LED
1212070512	S28200TA1D0RCN	TYPE A 2 POLE TRANSPARENT	A1	115v	GREEN LED
1212070513	S28200TA1E0RCN	TYPE A 2 POLE TRANSPARENT	A1	230v	GREEN LED
1212070514	S28200TA1G0RCN	TYPE A 2 POLE TRANSPARENT	A1	12v	AMBER LED
1212070515	S28200TA1H0RCN	TYPE A 2 POLE TRANSPARENT	A1	24v	AMBER LED
1212070516	S28200TA1K0RCN	TYPE A 2 POLE TRANSPARENT	A1	48v	AMBER LED
1212070517	S28200TA1L0RCN	TYPE A 2 POLE TRANSPARENT	A1	115v	AMBER LED
1212070518	S28200TA1M0RCN	TYPE A 2 POLE TRANSPARENT	A1	230v	AMBER LED

Part No	MPM Part No	DESCRIPTION	CIRCUIT	VOLTAGE	INDICATOR
1212070132	S28200NS110R	TYPE A 2 POLE BLACK	S1	12v	NO LED
1212070133	S28200NS120R	TYPE A 2 POLE BLACK	S1	24v	NO LED
1212070134	S28200NS130R	TYPE A 2 POLE BLACK	S1	48v	NO LED
1212070135	S28200NS140R	TYPE A 2 POLE BLACK	S1	115v	NO LED
1212070136	S28200NS150R	TYPE A 2 POLE BLACK	S1	230v	NO LED

Part No	MPM Part No	DESCRIPTION	CIRCUIT	VOLTAGE	INDICATOR
1212070446	S28200TC320RCN	TYPE A 2 POLE TRANSPARENT	C3	24v	RED LED
1212070447	S28200TC330RCN	TYPE A 2 POLE TRANSPARENT	C3	48v	RED LED
1212070448	S28200TC340RCN	TYPE A 2 POLE TRANSPARENT	C3	115v	RED LED
1212070449	S28200TC350RCN	TYPE A 2 POLE TRANSPARENT	C3	230v	RED LED
1212070450	S28200TC3A0RCN	TYPE A 2 POLE TRANSPARENT	C3	12v	GREEN LED
1212070451	S28200TC3C0RCN	TYPE A 2 POLE TRANSPARENT	C3	48v	GREEN LED
1212070452	S28200TC3D0RCN	TYPE A 2 POLE TRANSPARENT	C3	115v	GREEN LED
1212070453	S28200TC3E0RCN	TYPE A 2 POLE TRANSPARENT	C3	230v	GREEN LED
1212070454	S28200TC3G0RCN	TYPE A 2 POLE TRANSPARENT	C3	12v	AMBER LED
1212070455	S28200TC3H0RCN	TYPE A 2 POLE TRANSPARENT	C3	24v	AMBER LED
1212070456	S28200TC3K0RCN	TYPE A 2 POLE TRANSPARENT	C3	48v	AMBER LED
1212070457	S28200TC3L0RCN	TYPE A 2 POLE TRANSPARENT	C3	115v	AMBER LED
1212070458	S28200TC3M0RCN	TYPE A 2 POLE TRANSPARENT	C3	230v	AMBER LED

Part No	MPM Part No	DESCRIPTION	CIRCUIT	VOLTAGE	INDICATOR
1212070227	S28200TA010RCN	TYPE A 2 POLE TRANSPARENT	A0	12v	LAMP/NEON
1212070228	S28200TA020RCN	TYPE A 2 POLE TRANSPARENT	A0	24v	LAMP/NEON
1212070229	S28200TA030RCN	TYPE A 2 POLE TRANSPARENT	A0	48v	LAMP/NEON
1212070230	S28200TA040RCN	TYPE A 2 POLE TRANSPARENT	A0	115v	LAMP/NEON
1212070231	S28200TA050RCN	TYPE A 2 POLE TRANSPARENT	A0	230v	LAMP/NEON

SEE SHEET 1 EC NO: IPGZ014-0491 DRW:MSHEA 2013/09/11 CHKD:SMGREVY 2013/09/13 APPR:STGRIFLIN 2013/09/26	QUALITY SYMBOLS	GENERAL TOLERANCES (UNLESS SPECIFIED)	DIMENSION STYLE MM ONLY	SCALE 1:1	DESIGN UNITS METRIC	THIRD ANGLE PROJECTION																																								
	$\nabla=0$ $\nabla=0$	<table border="1"> <tr><th></th><th>mm</th><th>INCH</th></tr> <tr><td>4 PLACES</td><td>±.000</td><td>±.000</td></tr> <tr><td>3 PLACES</td><td>±.001</td><td>±.000</td></tr> <tr><td>2 PLACES</td><td>±.002</td><td>±.000</td></tr> <tr><td>1 PLACE</td><td>±.005</td><td>±.000</td></tr> <tr><td colspan="3">ANGULAR ±.000°</td></tr> </table>		mm	INCH	4 PLACES	±.000	±.000	3 PLACES	±.001	±.000	2 PLACES	±.002	±.000	1 PLACE	±.005	±.000	ANGULAR ±.000°			<table border="1"> <tr><th>DRAWN BY</th><th>DATE</th><th>TITLE</th></tr> <tr><td>DMAHER.WEU</td><td>2010/03/15</td><td rowspan="2">TYPE A 2P ASSEMBLY SERIES 121207</td></tr> <tr><th>CHECKED BY</th><th>DATE</th></tr> <tr><td></td><td></td><td></td></tr> <tr><th>APPROVED BY</th><th>DATE</th><td rowspan="2">MOLEX INCORPORATED</td></tr> <tr><td>JWALLACE</td><td>2010/03/24</td></tr> <tr><th>MATERIAL NO.</th><td></td><td>DOCUMENT NO.</td></tr> <tr><td></td><td>SEE TABLES</td><td>SD-121207-001</td></tr> </table>	DRAWN BY	DATE	TITLE	DMAHER.WEU	2010/03/15	TYPE A 2P ASSEMBLY SERIES 121207	CHECKED BY	DATE				APPROVED BY	DATE	MOLEX INCORPORATED	JWALLACE	2010/03/24	MATERIAL NO.		DOCUMENT NO.		SEE TABLES	SD-121207-001			
		mm	INCH																																											
	4 PLACES	±.000	±.000																																											
3 PLACES	±.001	±.000																																												
2 PLACES	±.002	±.000																																												
1 PLACE	±.005	±.000																																												
ANGULAR ±.000°																																														
DRAWN BY	DATE	TITLE																																												
DMAHER.WEU	2010/03/15	TYPE A 2P ASSEMBLY SERIES 121207																																												
CHECKED BY	DATE																																													
APPROVED BY	DATE	MOLEX INCORPORATED																																												
JWALLACE	2010/03/24																																													
MATERIAL NO.		DOCUMENT NO.																																												
	SEE TABLES	SD-121207-001																																												
DRAFT WHERE APPLICABLE MUST REMAIN WITHIN DIMENSIONS	SIZE A 2	THIS DRAWING CONTAINS INFORMATION THAT IS PROPRIETARY TO MOLEX INCORPORATED AND SHOULD NOT BE USED WITHOUT WRITTEN PERMISSION																																												
						SHEET NO. 3 OF 6																																								

Part No	MPM Part No	DESCRIPTION	CIRCUIT	VOLTAGE	INDICATOR
1212070387	S28200TC410RCN	TYPE A 2 POLE TRANSPARENT	C4	12v	RED LED
1212070388	S28200TC430RCN	TYPE A 2 POLE TRANSPARENT	C4	48v	RED LED
1212070389	S28200TC440RCN	TYPE A 2 POLE TRANSPARENT	C4	115v	RED LED
1212070390	S28200TC450RCN	TYPE A 2 POLE TRANSPARENT	C4	230v	RED LED
1212070391	S28200TC4A0RCN	TYPE A 2 POLE TRANSPARENT	C4	12v	GREEN LED
1212070392	S28200TC4B0RCN	TYPE A 2 POLE TRANSPARENT	C4	24v	GREEN LED
1212070393	S28200TC4C0RCN	TYPE A 2 POLE TRANSPARENT	C4	48v	GREEN LED
1212070394	S28200TC4D0RCN	TYPE A 2 POLE TRANSPARENT	C4	115v	GREEN LED
1212070395	S28200TC4E0RCN	TYPE A 2 POLE TRANSPARENT	C4	230v	GREEN LED
1212070396	S28200TC4G0RCN	TYPE A 2 POLE TRANSPARENT	C4	12v	AMBER LED
1212070397	S28200TC4H0RCN	TYPE A 2 POLE TRANSPARENT	C4	24v	AMBER LED
1212070398	S28200TC4K0RCN	TYPE A 2 POLE TRANSPARENT	C4	48v	AMBER LED
1212070399	S28200TC4L0RCN	TYPE A 2 POLE TRANSPARENT	C4	115v	AMBER LED
1212070400	S28200TC4M0RCN	TYPE A 2 POLE TRANSPARENT	C4	230v	AMBER LED

Part No	MPM Part No	DESCRIPTION	CIRCUIT	VOLTAGE	INDICATOR
1212070287	S28200TD010RCN	TYPE A 2 POLE TRANSPARENT	D0	12v	VDR
1212070288	S28200TD020RCN	TYPE A 2 POLE TRANSPARENT	D0	24v	VDR
1212070289	S28200TD030RCN	TYPE A 2 POLE TRANSPARENT	D0	48v	VDR
1212070290	S28200TD040RCN	TYPE A 2 POLE TRANSPARENT	D0	115v	VDR
1212070291	S28200TD050RCN	TYPE A 2 POLE TRANSPARENT	D0	230v	VDR

Part No	MPM Part No	DESCRIPTION	CIRCUIT	VOLTAGE	INDICATOR
1212070271	S28200NE050RCN	TYPE A 2 POLE BLACK	EO	230v	DIODE

Part No	MPM Part No	DESCRIPTION	CIRCUIT	VOLTAGE	INDICATOR
1212070327	S28200TS010RCN	TYPE A 2 POLE TRANSPARENT	S0	12v	RED LED
1212070328	S28200TS020RCN	TYPE A 2 POLE TRANSPARENT	S0	24v	RED LED
1212070329	S28200TS030RCN	TYPE A 2 POLE TRANSPARENT	S0	48v	RED LED
1212070330	S28200TS040RCN	TYPE A 2 POLE TRANSPARENT	S0	115v	RED LED
1212070331	S28200TS050RCN	TYPE A 2 POLE TRANSPARENT	S0	230v	RED LED
1212070332	S28200TS0A0RCN	TYPE A 2 POLE TRANSPARENT	S0	12v	GREEN LED
1212070333	S28200TS0B0RCN	TYPE A 2 POLE TRANSPARENT	S0	24v	GREEN LED
1212070334	S28200TS0C0RCN	TYPE A 2 POLE TRANSPARENT	S0	48v	GREEN LED
1212070335	S28200TS0D0RCN	TYPE A 2 POLE TRANSPARENT	S0	115v	GREEN LED
1212070336	S28200TS0E0RCN	TYPE A 2 POLE TRANSPARENT	S0	230v	GREEN LED
1212070337	S28200TS0G0RCN	TYPE A 2 POLE TRANSPARENT	S0	12v	AMBER LED
1212070338	S28200TS0H0RCN	TYPE A 2 POLE TRANSPARENT	S0	24v	AMBER LED
1212070339	S28200TS0K0RCN	TYPE A 2 POLE TRANSPARENT	S0	48v	AMBER LED
1212070340	S28200TS0L0RCN	TYPE A 2 POLE TRANSPARENT	S0	115v	AMBER LED
1212070341	S28200TS0M0RCN	TYPE A 2 POLE TRANSPARENT	S0	230v	AMBER LED

Part No	MPM Part No	DESCRIPTION	CIRCUIT	VOLTAGE	INDICATOR
1212070247	S28200NS110RCN	TYPE A 2 POLE BLACK	S1	12v	NO LED
1212070248	S28200NS120RCN	TYPE A 2 POLE BLACK	S1	24v	NO LED
1212070249	S28200NS130RCN	TYPE A 2 POLE BLACK	S1	48v	NO LED
1212070250	S28200NS140RCN	TYPE A 2 POLE BLACK	S1	115v	NO LED
1212070251	S28200NS150RCN	TYPE A 2 POLE BLACK	S1	230v	NO LED

Part No	MPM Part No	DESCRIPTION	CIRCUIT	VOLTAGE	INDICATOR
1212070217	S28200TA012RSN	TYPE A 2 POLE TRANSPARENT	A0	12v	LAMP/NEON
1212070218	S28200TA022RSN	TYPE A 2 POLE TRANSPARENT	A0	24v	LAMP/NEON
1212070219	S28200TA032RSN	TYPE A 2 POLE TRANSPARENT	A0	48v	LAMP/NEON
1212070220	S28200TA042RSN	TYPE A 2 POLE TRANSPARENT	A0	115v	LAMP/NEON
1212070221	S28200TA052RSN	TYPE A 2 POLE TRANSPARENT	A0	230v	LAMP/NEON

SEE SHEET 1 EC NO: IPG2014-0491 DRW:HSHEA 2013/09/11 CHKD:SMGREVY 2013/09/13 APPR:STGRIFLIN 2013/09/26	QUALITY SYMBOLS 	GENERAL TOLERANCES (UNLESS SPECIFIED)		DIMENSION STYLE MM ONLY		SCALE 1:1	DESIGN UNITS METRIC	THIRD ANGLE PROJECTION	
				DRAWN BY DMAHER.WEU		DATE 2010/03/15	TITLE TYPE A 2P ASSEMBLY SERIES 121207		
				CHECKED BY		DATE			
				APPROVED BY JWALLACE		DATE 2010/03/24	DOCUMENT NO. SD-121207-001		
		DRAFT WHERE APPLICABLE MUST REMAIN WITHIN DIMENSIONS		MATERIAL NO. SEE TABLES		SHEET NO. 4 OF 6			
				THIS DRAWING CONTAINS INFORMATION THAT IS PROPRIETARY TO MOLEX INCORPORATED AND SHOULD NOT BE USED WITHOUT WRITTEN PERMISSION					

Part No	MPM Part No	DESCRIPTION	CIRCUIT	VOLTAGE	INDICATOR
1212070474	S28200TA112RSN	TYPE A 2 POLE TRANSPARENT	A1	12v	RED LED
1212070475	S28200TA122RSN	TYPE A 2 POLE TRANSPARENT	A1	24v	RED LED
1212070476	S28200TA132RSN	TYPE A 2 POLE TRANSPARENT	A1	48v	RED LED
1212070477	S28200TA142RSN	TYPE A 2 POLE TRANSPARENT	A1	115v	RED LED
1212070478	S28200TA152RSN	TYPE A 2 POLE TRANSPARENT	A1	230v	RED LED
1212070479	S28200TA1A2RSN	TYPE A 2 POLE TRANSPARENT	A1	12v	GREEN LED
1212070480	S28200TA1B2RSN	TYPE A 2 POLE TRANSPARENT	A1	24v	GREEN LED
1212070481	S28200TA1C2RSN	TYPE A 2 POLE TRANSPARENT	A1	48v	GREEN LED
1212070482	S28200TA1D2RSN	TYPE A 2 POLE TRANSPARENT	A1	115v	GREEN LED
1212070483	S28200TA1E2RSN	TYPE A 2 POLE TRANSPARENT	A1	230v	GREEN LED
1212070484	S28200TA1G2RSN	TYPE A 2 POLE TRANSPARENT	A1	12v	AMBER LED
1212070485	S28200TA1H2RSN	TYPE A 2 POLE TRANSPARENT	A1	24v	AMBER LED
1212070486	S28200TA1K2RSN	TYPE A 2 POLE TRANSPARENT	A1	48v	AMBER LED
1212070487	S28200TA1L2RSN	TYPE A 2 POLE TRANSPARENT	A1	115v	AMBER LED
1212070488	S28200TA1M2RSN	TYPE A 2 POLE TRANSPARENT	A1	230v	AMBER LED

Part No	MPM Part No	DESCRIPTION	CIRCUIT	VOLTAGE	INDICATOR
1212070416	S28200TC312RSN	TYPE A 2 POLE TRANSPARENT	C3	12v	RED LED
1212070417	S28200TC322RSN	TYPE A 2 POLE TRANSPARENT	C3	24v	RED LED
1212070418	S28200TC332RSN	TYPE A 2 POLE TRANSPARENT	C3	48v	RED LED
1212070419	S28200TC342RSN	TYPE A 2 POLE TRANSPARENT	C3	115v	RED LED
1212070420	S28200TC352RSN	TYPE A 2 POLE TRANSPARENT	C3	230v	RED LED
1212070421	S28200TC3A2RSN	TYPE A 2 POLE TRANSPARENT	C3	12v	GREEN LED
1212070422	S28200TC3B2RSN	TYPE A 2 POLE TRANSPARENT	C3	24v	GREEN LED
1212070423	S28200TC3C2RSN	TYPE A 2 POLE TRANSPARENT	C3	48v	GREEN LED
1212070424	S28200TC3D2RSN	TYPE A 2 POLE TRANSPARENT	C3	115v	GREEN LED
1212070425	S28200TC3E2RSN	TYPE A 2 POLE TRANSPARENT	C3	230v	GREEN LED
1212070426	S28200TC3G2RSN	TYPE A 2 POLE TRANSPARENT	C3	12v	AMBER LED
1212070427	S28200TC3H2RSN	TYPE A 2 POLE TRANSPARENT	C3	24v	AMBER LED
1212070428	S28200TC3K2RSN	TYPE A 2 POLE TRANSPARENT	C3	48v	AMBER LED
1212070429	S28200TC3L2RSN	TYPE A 2 POLE TRANSPARENT	C3	115v	AMBER LED
1212070430	S28200TC3M2RSN	TYPE A 2 POLE TRANSPARENT	C3	230v	AMBER LED

Part No	MPM Part No	DESCRIPTION	CIRCUIT	VOLTAGE	INDICATOR
1212070357	S28200TC412RSN	TYPE A 2 POLE TRANSPARENT	C4	12v	RED LED
1212070358	S28200TC422RSN	TYPE A 2 POLE TRANSPARENT	C4	24v	RED LED
1212070359	S28200TC432RSN	TYPE A 2 POLE TRANSPARENT	C4	48v	RED LED
1212070360	S28200TC442RSN	TYPE A 2 POLE TRANSPARENT	C4	115v	RED LED
1212070361	S28200TC452RSN	TYPE A 2 POLE TRANSPARENT	C4	230v	RED LED
1212070362	S28200TC4A2RSN	TYPE A 2 POLE TRANSPARENT	C4	12v	GREEN LED
1212070363	S28200TC4B2RSN	TYPE A 2 POLE TRANSPARENT	C4	24v	GREEN LED
1212070364	S28200TC4C2RSN	TYPE A 2 POLE TRANSPARENT	C4	48v	GREEN LED
1212070365	S28200TC4D2RSN	TYPE A 2 POLE TRANSPARENT	C4	115v	GREEN LED
1212070366	S28200TC4E2RSN	TYPE A 2 POLE TRANSPARENT	C4	230v	GREEN LED
1212070367	S28200TC4G2RSN	TYPE A 2 POLE TRANSPARENT	C4	12v	AMBER LED
1212070368	S28200TC4H2RSN	TYPE A 2 POLE TRANSPARENT	C4	24v	AMBER LED
1212070369	S28200TC4K2RSN	TYPE A 2 POLE TRANSPARENT	C4	48v	AMBER LED
1212070370	S28200TC4L2RSN	TYPE A 2 POLE TRANSPARENT	C4	115v	AMBER LED
1212070371	S28200TC4M2RSN	TYPE A 2 POLE TRANSPARENT	C4	230v	AMBER LED
1212070535	S28200TC4M2RSNSA	TYPE A 2 POLE TRANSPARENT UL LISTED	C4	230v	AMBER LED

Part No	MPM Part No	DESCRIPTION	CIRCUIT	VOLTAGE	INDICATOR
1212070277	S28200TD012RSN	TYPE A 2 POLE TRANSPARENT	D0	12v	VDR
1212070278	S28200TD022RSN	TYPE A 2 POLE TRANSPARENT	D0	24v	VDR
1212070279	S28200TD032RSN	TYPE A 2 POLE TRANSPARENT	D0	48v	VDR
1212070280	S28200TD042RSN	TYPE A 2 POLE TRANSPARENT	D0	115v	VDR
1212070281	S28200TD052RSN	TYPE A 2 POLE TRANSPARENT	D0	230v	VDR

Part No	MPM Part No	DESCRIPTION	CIRCUIT	VOLTAGE	INDICATOR
1212070261	S28200NE052RSN	TYPE A 2 POLE BLACK	EO	230v	DIODE

SEE SHEET 1 EC NO: IPG2014-0491 DRW:HSHEA 2013/09/11 CHKD:SMGREVY 2013/09/13 APPR:STGERLFIN 2013/09/26	QUALITY SYMBOLS	GENERAL TOLERANCES (UNLESS SPECIFIED)	DIMENSION STYLE MM ONLY	SCALE 1:1	DESIGN UNITS METRIC	THIRD ANGLE PROJECTION																												
	$\nabla=0$ $\nabla=0$	<table border="1"> <tr><th>mm</th><th>INCH</th></tr> <tr><td>4 PLACES ±---</td><td>±---</td></tr> <tr><td>3 PLACES ±---</td><td>±---</td></tr> <tr><td>2 PLACES ±0.1</td><td>±---</td></tr> <tr><td>1 PLACE ±0.2</td><td>±---</td></tr> <tr><td>ANGULAR ±---</td><td>°</td></tr> </table>	mm	INCH	4 PLACES ±---	±---	3 PLACES ±---	±---	2 PLACES ±0.1	±---	1 PLACE ±0.2	±---	ANGULAR ±---	°	<table border="1"> <tr><th>DRAWN BY</th><th>DATE</th></tr> <tr><td>DMAHER_WEU</td><td>2010/03/15</td></tr> <tr><th>CHECKED BY</th><th>DATE</th></tr> <tr><td></td><td></td></tr> <tr><th>APPROVED BY</th><th>DATE</th></tr> <tr><td>JWALLACE</td><td>2010/03/24</td></tr> <tr><th>MATERIAL NO.</th><th>DOCUMENT NO.</th></tr> <tr><td></td><td></td></tr> </table>	DRAWN BY	DATE	DMAHER_WEU	2010/03/15	CHECKED BY	DATE			APPROVED BY	DATE	JWALLACE	2010/03/24	MATERIAL NO.	DOCUMENT NO.			TYPE A 2P ASSEMBLY SERIES 121207		
	mm	INCH																																
	4 PLACES ±---	±---																																
3 PLACES ±---	±---																																	
2 PLACES ±0.1	±---																																	
1 PLACE ±0.2	±---																																	
ANGULAR ±---	°																																	
DRAWN BY	DATE																																	
DMAHER_WEU	2010/03/15																																	
CHECKED BY	DATE																																	
APPROVED BY	DATE																																	
JWALLACE	2010/03/24																																	
MATERIAL NO.	DOCUMENT NO.																																	
DRAFT WHERE APPLICABLE MUST REMAIN WITHIN DIMENSIONS	<table border="1"> <tr><th>SIZE</th><td>A2</td></tr> </table>	SIZE	A2	MOLEX INCORPORATED SD-121207-001																														
SIZE	A2																																	
THIS DRAWING CONTAINS INFORMATION THAT IS PROPRIETARY TO MOLEX INCORPORATED AND SHOULD NOT BE USED WITHOUT WRITTEN PERMISSION			SHEET NO. 5 OF 6																															

Part No	MPM Part No	DESCRIPTION	CIRCUIT	VOLTAGE	INDICATOR
1212070297	S28200TS012RSN	TYPE A 2 POLE TRANSPARENT	S0	12v	RED LED
1212070298	S28200TS022RSN	TYPE A 2 POLE TRANSPARENT	S0	24v	RED LED
1212070299	S28200TS032RSN	TYPE A 2 POLE TRANSPARENT	S0	48v	RED LED
1212070300	S28200TS042RSN	TYPE A 2 POLE TRANSPARENT	S0	115v	RED LED
1212070301	S28200TS052RSN	TYPE A 2 POLE TRANSPARENT	S0	230v	RED LED
1212070302	S28200TS0A2RSN	TYPE A 2 POLE TRANSPARENT	S0	12v	GREEN LED
1212070303	S28200TS0B2RSN	TYPE A 2 POLE TRANSPARENT	S0	24v	GREEN LED
1212070304	S28200TS0C2RSN	TYPE A 2 POLE TRANSPARENT	S0	48v	GREEN LED
1212070305	S28200TS0D2RSN	TYPE A 2 POLE TRANSPARENT	S0	115v	GREEN LED
1212070306	S28200TS0E2RSN	TYPE A 2 POLE TRANSPARENT	S0	230v	GREEN LED
1212070307	S28200TS0G2RSN	TYPE A 2 POLE TRANSPARENT	S0	12v	AMBER LED
1212070308	S28200TS0H2RSN	TYPE A 2 POLE TRANSPARENT	S0	24v	AMBER LED
1212070309	S28200TS0K2RSN	TYPE A 2 POLE TRANSPARENT	S0	48v	AMBER LED
1212070310	S28200TS0L2RSN	TYPE A 2 POLE TRANSPARENT	S0	115v	AMBER LED
1212070311	S28200TS0M2RSN	TYPE A 2 POLE TRANSPARENT	S0	230v	AMBER LED

Part No	MPM Part No	DESCRIPTION	CIRCUIT	VOLTAGE	INDICATOR
1212070237	S28200NS112RSN	TYPE A 2 POLE BLACK	S1	12v	NO LED
1212070238	S28200NS122RSN	TYPE A 2 POLE BLACK	S1	24v	NO LED
1212070239	S28200NS132RSN	TYPE A 2 POLE BLACK	S1	48v	NO LED
1212070240	S28200NS142RSN	TYPE A 2 POLE BLACK	S1	115v	NO LED
1212070241	S28200NS152RSN	TYPE A 2 POLE BLACK	S1	230v	NO LED

SEE SHEET 1 EC NO: IPG2014-0491 DRW:HSHEA 2013/09/11 CHKD:SMGREVY 2013/09/13 APPR:STGERLFFIN 2013/09/26	DESCRIPTION REV	QUALITY SYMBOLS ▽=0 ▽=0	GENERAL TOLERANCES (UNLESS SPECIFIED) <table border="1"> <tr><td></td><td>mm</td><td>INCH</td></tr> <tr><td>4 PLACES</td><td>± ---</td><td>± ---</td></tr> <tr><td>3 PLACES</td><td>± ---</td><td>± ---</td></tr> <tr><td>2 PLACES</td><td>± 0.1</td><td>± ---</td></tr> <tr><td>1 PLACE</td><td>± 0.2</td><td>± ---</td></tr> <tr><td colspan="3">ANGULAR ± ---°</td></tr> </table>		mm	INCH	4 PLACES	± ---	± ---	3 PLACES	± ---	± ---	2 PLACES	± 0.1	± ---	1 PLACE	± 0.2	± ---	ANGULAR ± ---°			DIMENSION STYLE MM ONLY	SCALE 1:1	DESIGN UNITS METRIC	THIRD ANGLE PROJECTION
			mm	INCH																					
		4 PLACES	± ---	± ---																					
		3 PLACES	± ---	± ---																					
2 PLACES	± 0.1	± ---																							
1 PLACE	± 0.2	± ---																							
ANGULAR ± ---°																									
DRAWN BY DMAHER_WEU	DATE 2010/03/15	TITLE TYPE A 2P ASSEMBLY SERIES 121207																							
CHECKED BY	DATE	APPROVED BY JWALLACE	DATE 2010/03/24																						
DRAFT WHERE APPLICABLE MUST REMAIN WITHIN DIMENSIONS		MATERIAL NO. SEE TABLES	DOCUMENT NO. SD-121207-001																						