



ANATECH ELECTRONICS INC
RF & Microwave Filters & Products

455 MHz LC Band Pass Filter

Part Number: AE455B11272



Electrical Specifications

- Center Frequency:** 455 MHz
- 3dB Pass Band:** 450-460 MHz Max
- Insertion Loss:** 5.75 dB Max at 455 MHz
- Return Loss:** 14 dB Min
- Ripple:** 0.2 dB; Goal 0.05dB
- Stopbands:**
 - >20 dB @ 446 & 465 MHz
 - >30 dB @ 445 & 468 MHz
 - >40 dB @ 440 & 475 MHz
 - >50 dB @ 435 & 480 MHz
 - >60 dB @ 430 & 485 MHz

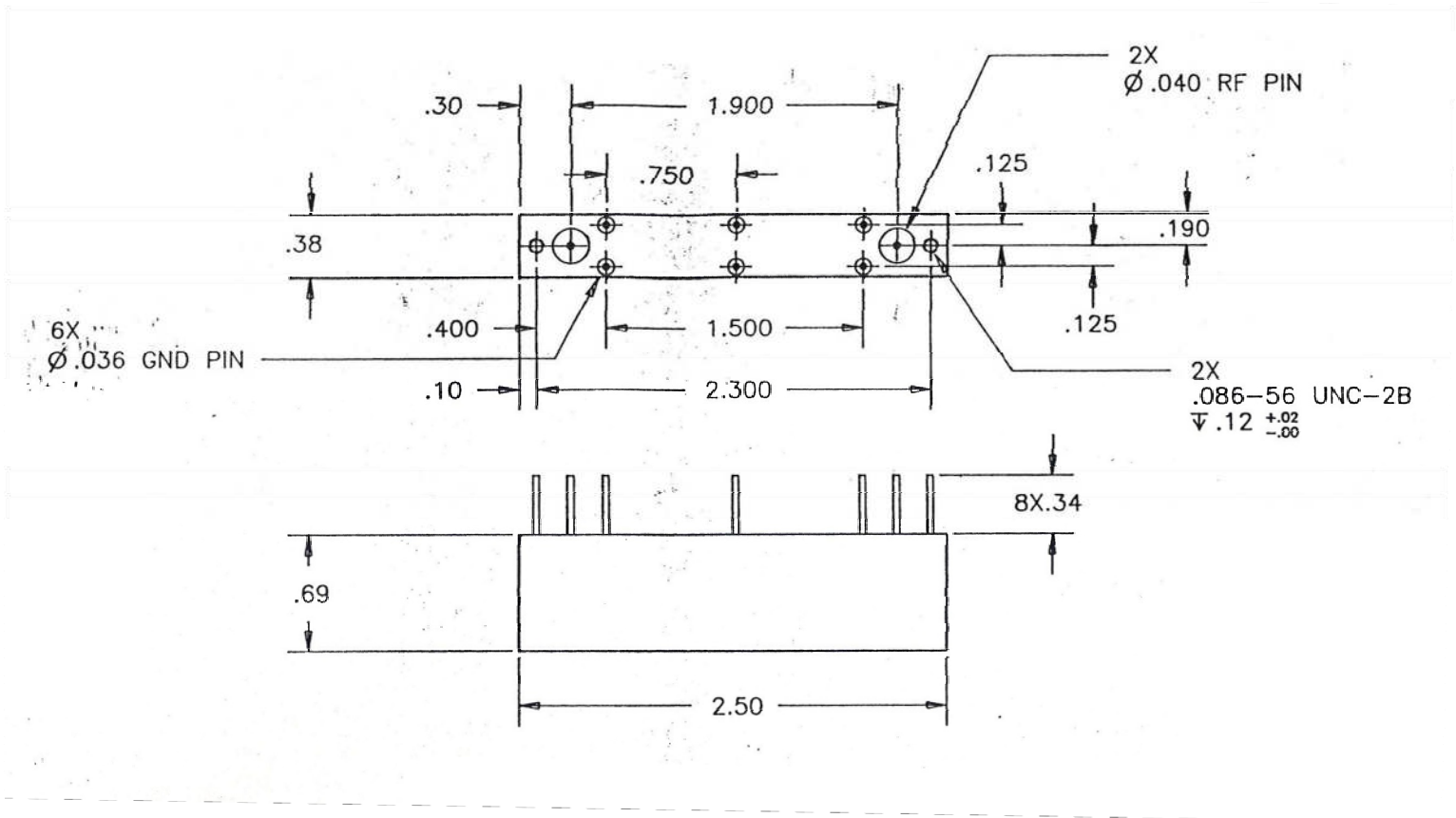
Mechanical

- Connector Type:** RF Pins
- Dimensions:** 2.50 x 0.38 x 0.69 Inches

Environmental

- Operating Temperature:** -30 to +85° C
- Storage Temperature:** -40 to +95° C
- Shock:** 20 G. 11 ms
- Vibration:** 20 G. 5 to 200 MHz

Outline Drawing:



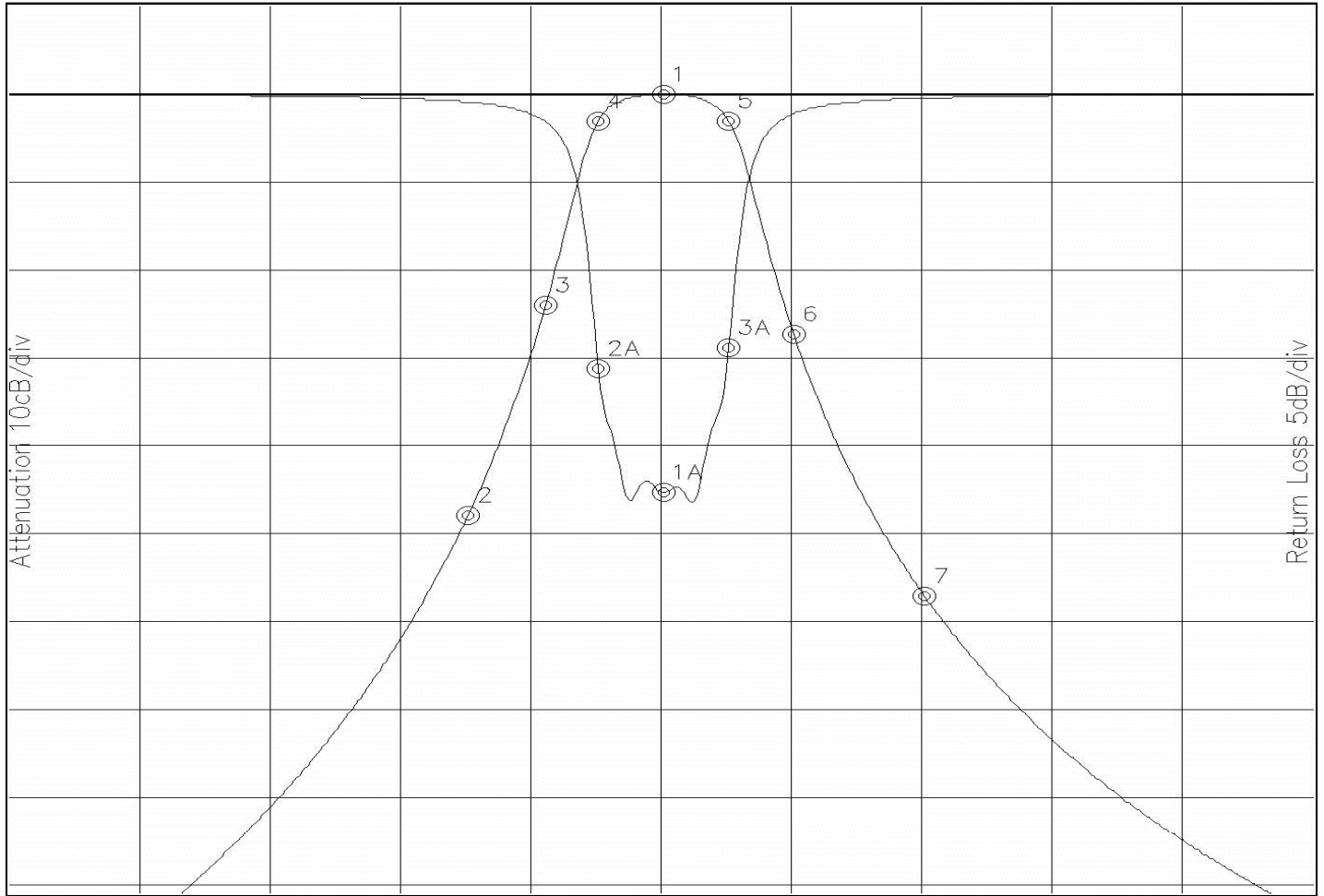


Response Plot:

A508.lad

DEC 10, 2015

Attenuation/Return Loss



Attenuation Start: 405.0MHz Stop: 505.0MHz
Offset -5.2173dB

Return Loss Start: 405.0MHz Stop: 505.0MHz

Marker 1 Freq 455.08MHz Atten 0.080dB
 Marker 2 Freq 440.05MHz Atten -47.825dB
 Marker 3 Freq 446.03MHz Atten -23.807dB
 Marker 4 Freq 450.07MHz Atten -3.017dB
 Marker 5 Freq 460.08MHz Atten -3.084dB
 Marker 6 Freq 465.09MHz Atten -27.205dB
 Marker 7 Freq 475.11MHz Atten -56.857dB

Marker 1A Freq 455.08MHz Ret Loss -22.625dB
 Marker 2A Freq 450.07MHz Ret Loss -15.588dB
 Marker 3A Freq 460.08MHz Ret Loss -14.377dB