

- NEW TYPES -



8200J Series

Tubeaxial

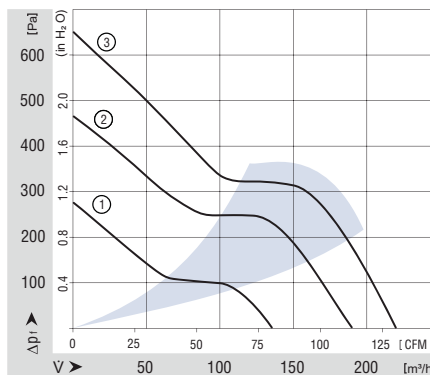
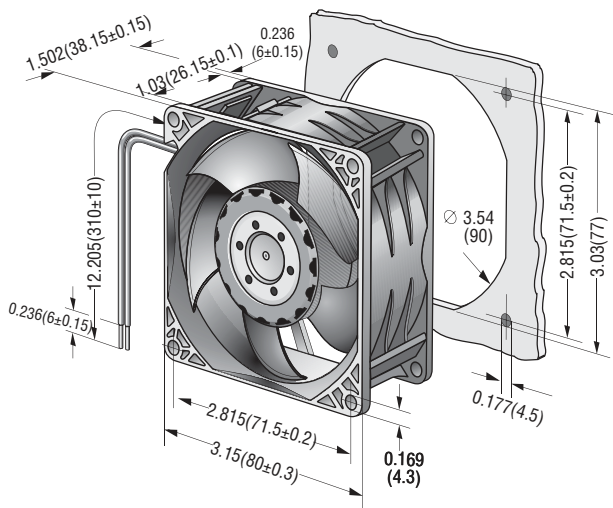
80x80x38mm high performance

- DC fans with electronically commutated external rotor motor. Fully integrated commutation electronics.
- Innovative impeller design with winglets.
- Compact design with high power density. Electronic protection against reverse polarity, blocking and over-loading.
- Fan of fiberglass reinforced plastic. PBT housing, PA impeller.
- Air exhaust over struts. Rotational direction CW looking at rotor.
- Electrical connection via 2 leads AWG 24, TR 64. Stripped and tinned ends.
- UL, CSA, VDE approvals on most models, please contact application engineering.

Part Number	Curve	CFM @ Q	VDC	Volt. Range	Power (W)	dBA	Bel	Temp Range C	Bearing Type	Features	Wgt. (lbs)
8212JN	1	78	12	7 to 13.8	10	55	6.6	-20...+70	Ball	Leads	0.35
8212JH3	2	112	12	6 to 13.8	25	66	7.3	-20...+70	Ball	Leads	0.44
8212JH4	3	131	12	6 to 13.8	39	71	8.0	-20...+70	Ball	Leads	0.44
8214JN	1	78	24	18 to 26.4	10	55	6.6	-20...+70	Ball	Leads	0.35
8214JH3	2	112	24	12 to 27.6	25	66	7.3	-20...+70	Ball	Leads	0.44
8214JH4	3	131	24	12 to 27.6	38	71	8.0	-20...+70	Ball	Leads	0.44
8218JN	1	78	48	36 to 53	11	55	6.6	-20...+70	Ball	Leads	0.35
8218JH3	2	112	48	20 to 58	25	66	7.3	-20...+70	Ball	Leads	0.44
8218JH4	3	131	48	20 to 58	36	71	8.0	-20...+70	Ball	Leads	0.44

8200JH3 and JH4 also as standard with PWM control input and tach output, with the same air performance and part specifications as the base part number:

Base PN	PN with options:	
	PWM (P)	Tach Output (Z)
8212JH3	8212J/2H3P	8212J/2H3Z
8214JH3	8214J/2H3P	8214J/2H3Z
8218JH3	8218J/2H3P	8218J/2H3Z
8212JH4	8212J/2H4P	8212J/2H4Z
8214JH4	8214J/2H4P	8214J/2H4Z
8218JH4	8218J/2H4P	8218J/2H4Z



e-mail: sales@us.ebmpapst.com · TEL: 860-674-1515 · FAX: 860-674-8536

ebm-papst Inc., 100 Hyde Road, Farmington, CT 06034 USA

ebm-papst Inc., 2008 © ebm-papst Inc. reserves the right to change any specifications or data without notice