

LEJ & LEJA SERIES

HYDRAULIC-MAGNETIC CIRCUIT BREAKERS

Introduction

The LEJ/LEJA series circuit breaker meets the evolving demand for the high performance protection of critical data center and telecommunications applications requiring up to 277VAC per pole, UL 489 listing in the smallest case size currently available in the marketplace. The LEJ/LEJA platform is based on the highly successful and field proven LEG/LEGA designs while incorporating state-of-the-art arc quenching technologies and offering voltage ratings that are well suited for global applications that require 208VAC through 277VAC ratings for increased power efficiency.

Typical applications include power distribution units (PDUs) used in data center enclosures, telecom AC power supplies and a variety of Industrial applications benefiting from the higher power density. Like the LEG/LEGA product family, the LEJ/LEJA series offers a variety of features including different terminations and actuators to meet most any requirements.



Features

- Up to two poles, 2 amps to 20 amps rated current at 240VAC per pole
- UL 489 listed and TÜV approvals available
- Up to 10,000AIC short circuit amperage rating
- Low Depth “A” option provides a 31% lower depth compared to standard LEJ product
- Maintains the high performance characteristics, reliability, panel cut out and mounting dimensions of LEG/LEGA products

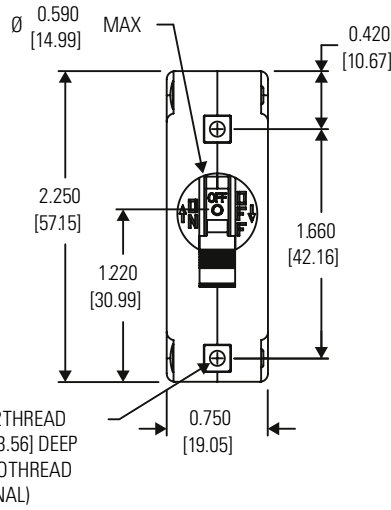
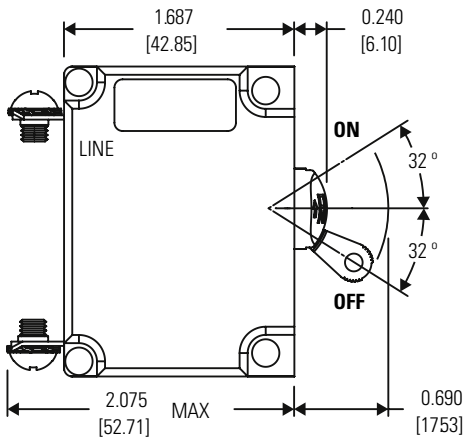
SPECIFICATIONS

Agency Certification	Rated Amperage	Maximum Voltage per Pole	Short Circuit Amperage
UL 489	2 to 20 amps	240 VAC, 50/60 Hz	5000
TÜV (EN60947-2)	2 to 20 amps	240 VAC, 50/60 Hz	5000
UL489	2 to 20 amps	240 VAC, 50/60 Hz	10000
UL489	2 to 20 amps	277 VAC, 50/60 Hz	10000

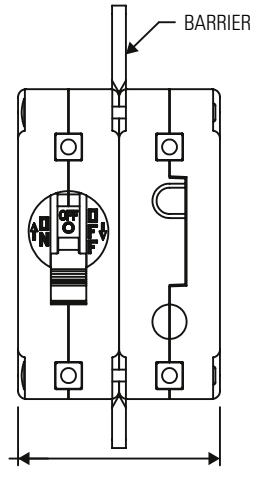


CONFIGURATIONS: LEJ TOGGLE HANDLE

SINGLE POLE

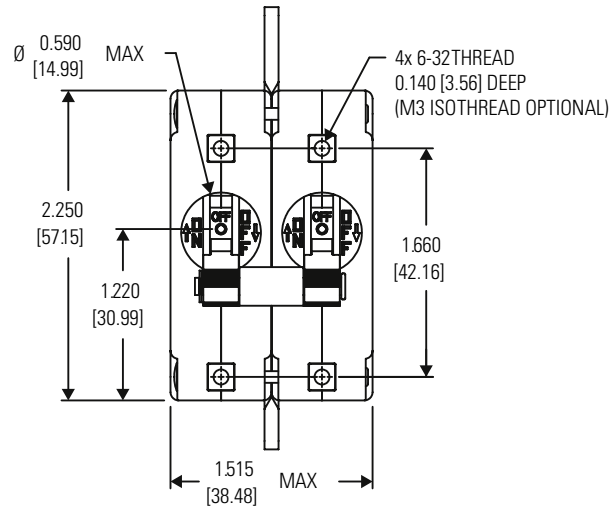
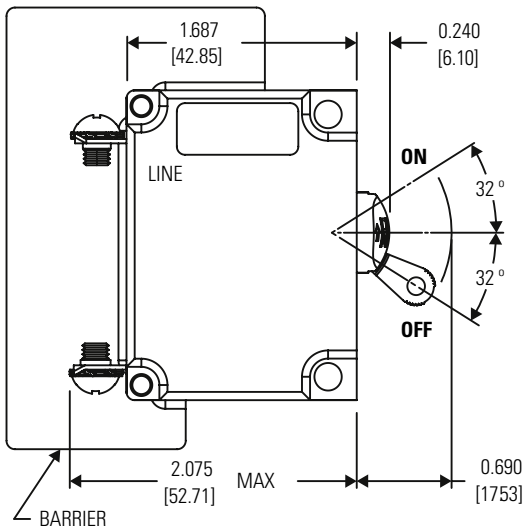


TWO POLE, 1 HANDLE

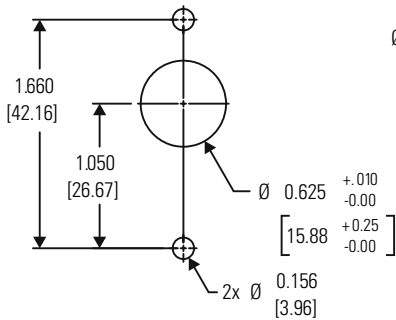


OPTIONAL, HANDLE MAY BE IN
POLE 1 INSTEAD OF POLE 2

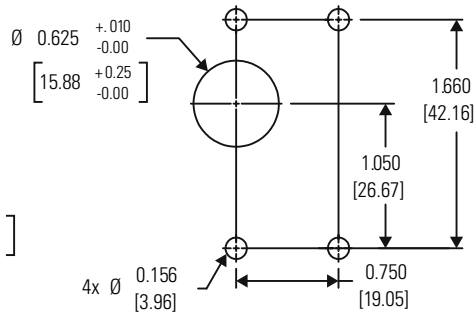
TWO POLE, 2 HANDLE



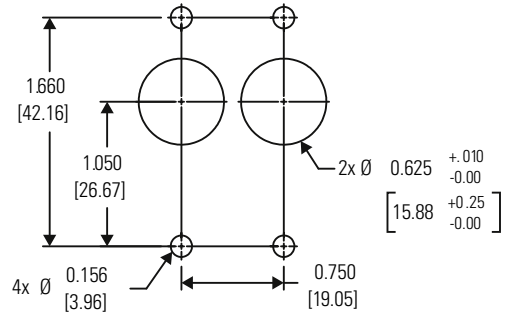
PANEL MOUNT CUTOUT - 1 POLE



PANEL MOUNT CUTOUT - 2 POLE, 1 HANDLE



PANEL MOUNT CUTOUT - 2 POLE, 2 HANDLE



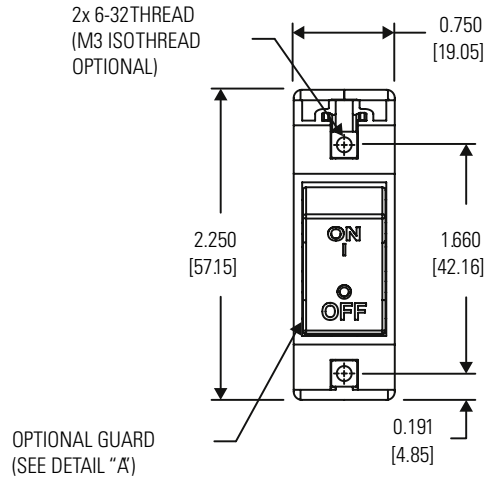
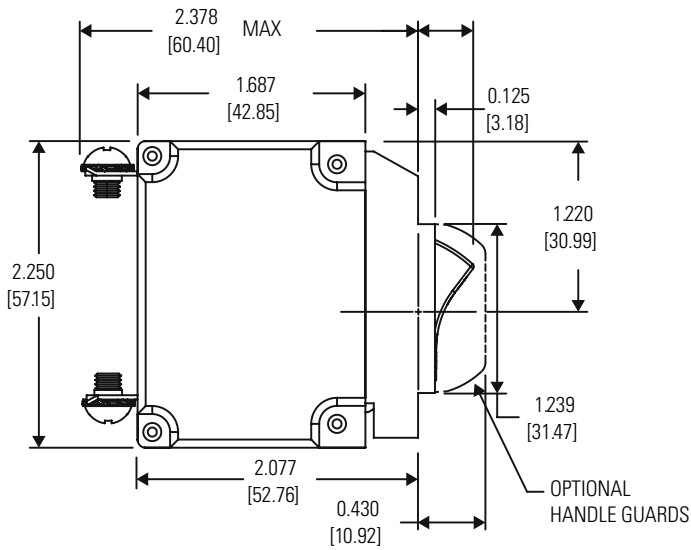
NOTES:

- All mounting inserts shall be utilized when panel mounting circuit breakers. Panel mounting screws shall have recommended torque applied:
6 /32 mounting inserts 6 - 8 inch pounds. M3 mounting inserts 4 - 5 inch pounds.
- Panel mounting screws shall not extend beyond back of mounting panel more than specified mounting insert depth.
- Mounting detail tolerance: ± 0.005 [0.13] unless noted.

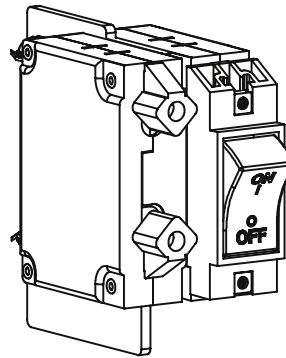
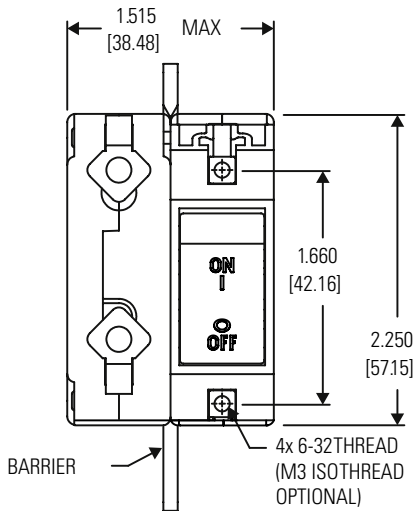


CONFIGURATIONS: LEJZX ROCKER HANDLE

SINGLE POLE

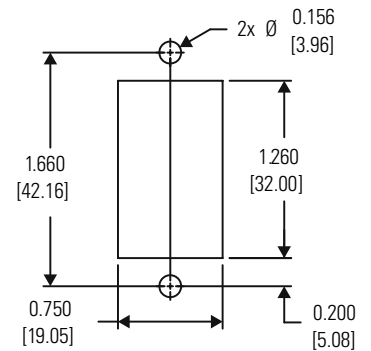


TWO POLE



OPTIONAL, HANDLE MAY BE IN POLE 2 INSTEAD OF POLE 1

PANEL MOUNT CUTOUT - 1 or 2 POLE

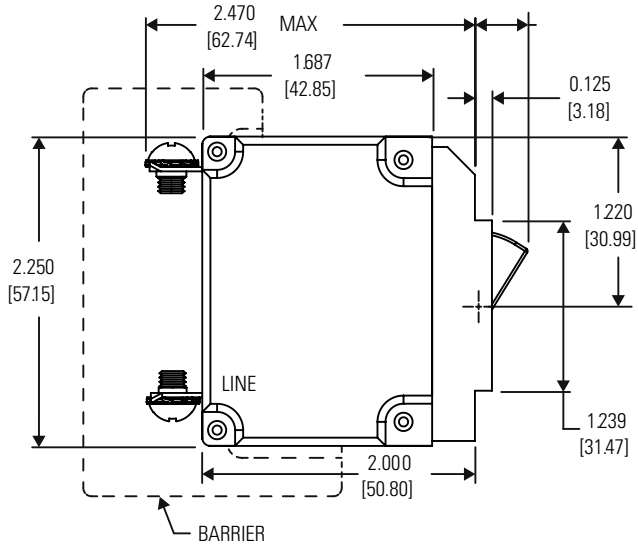


1. All mounting inserts shall be utilized when panel mounting circuit breakers. Panel mounting screws shall have recommended torque applied: 6/32 mounting inserts 6 - 8 inch pounds. M3 mounting inserts 4 - 5 inch pounds.
2. Panel mounting screws shall not extend beyond back of mounting panel more than specied mounting insert depth.
3. Mounting detail tolerance: ± 0.005 [0.13] unless noted.
4. Two pole ZX has standoffs (as shown). It uses 2 panel screws. A higher shock capability (4 panel screws) is available (consult factory).

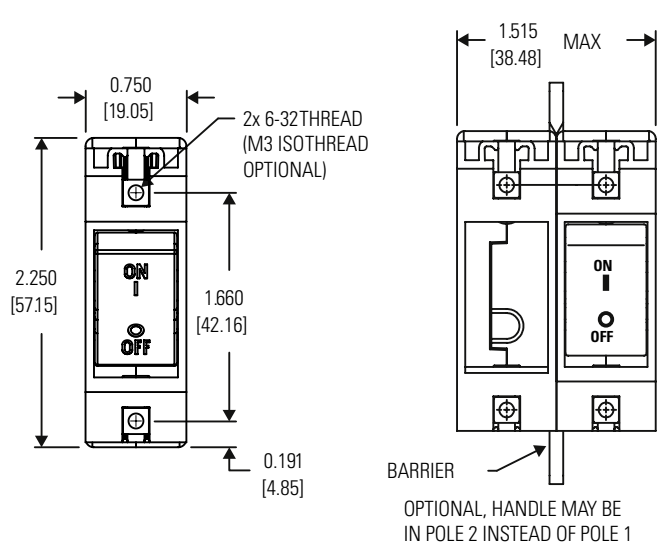


CONFIGURATIONS: LEJBX ROCKER HANDLE

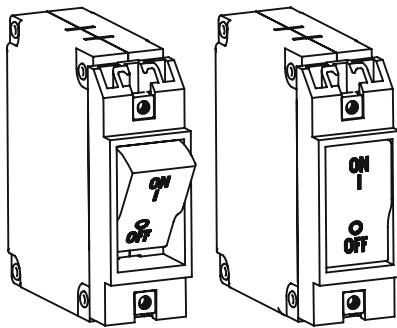
SINGLE POLE



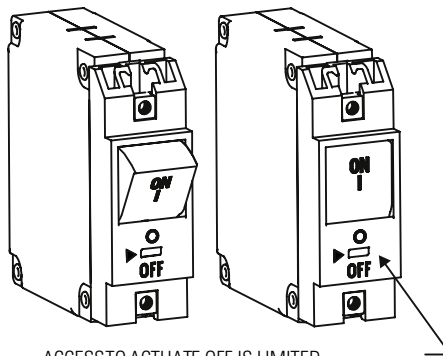
TWO POLE



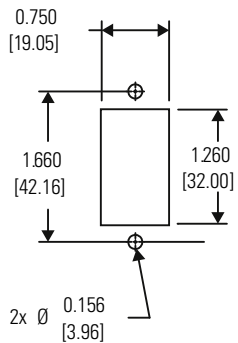
BX HANDLE WITHOUT GUARD



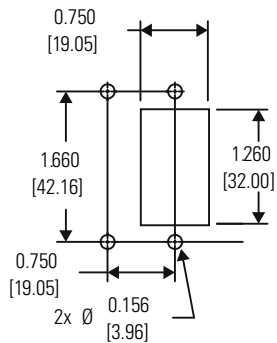
GUARD (LIMITED ACCESS ACTUATE-OFF)



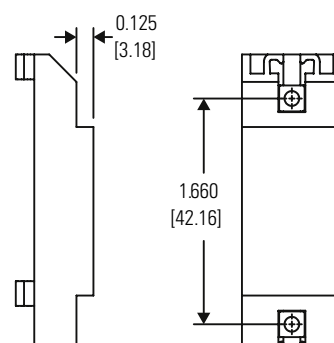
PANEL MOUNT CUTOUT (1 POLE)



PANEL MOUNT CUTOUT (2 POLE)



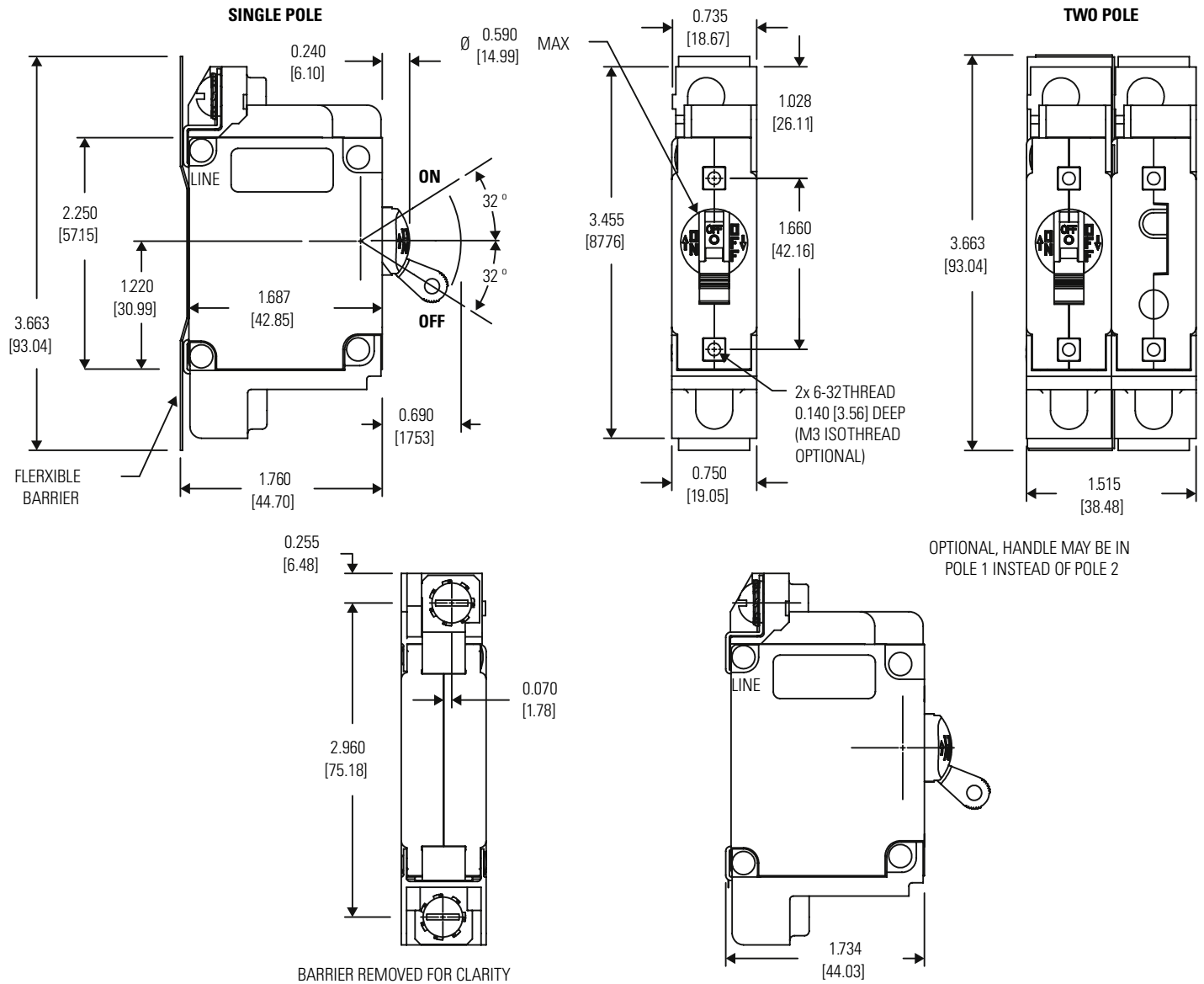
PANEL PLUG (CONSULT FACTORY FOR AVAILABILITY)



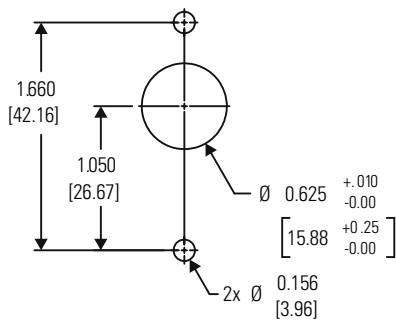
- P/N: 121-710-2450**
6-32 THD. (BLACK)
- P/N: 121-710-2451**
M3 THD. (BLACK)
- P/N: 121-450-3000**
6-32 THD. (BLACK)
- P/N: 121-450-3001**
M3 THD. (BLACK)



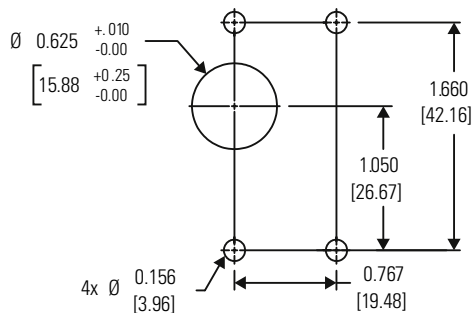
CONFIGURATIONS: LEJA, TOGGLE HANDLE



PANEL MOUNT CUTOUT - 1 POLE



PANEL MOUNT CUTOUT - 2 POLE, 1 HANDLE

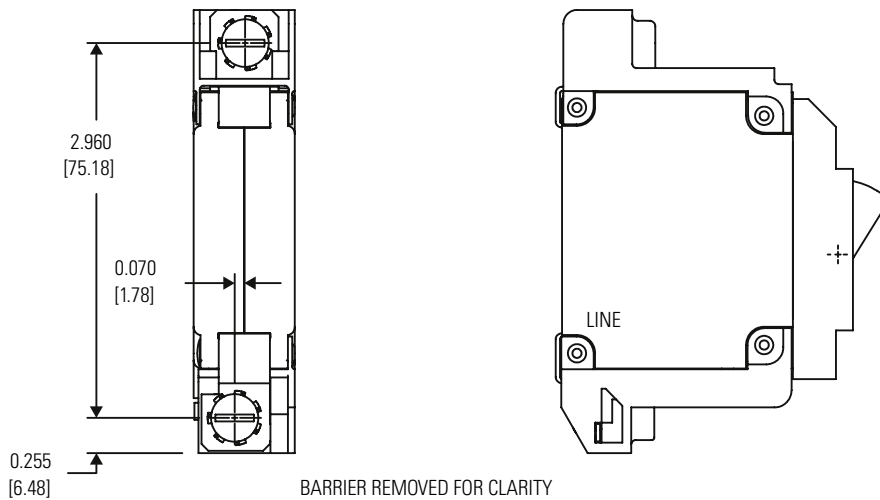
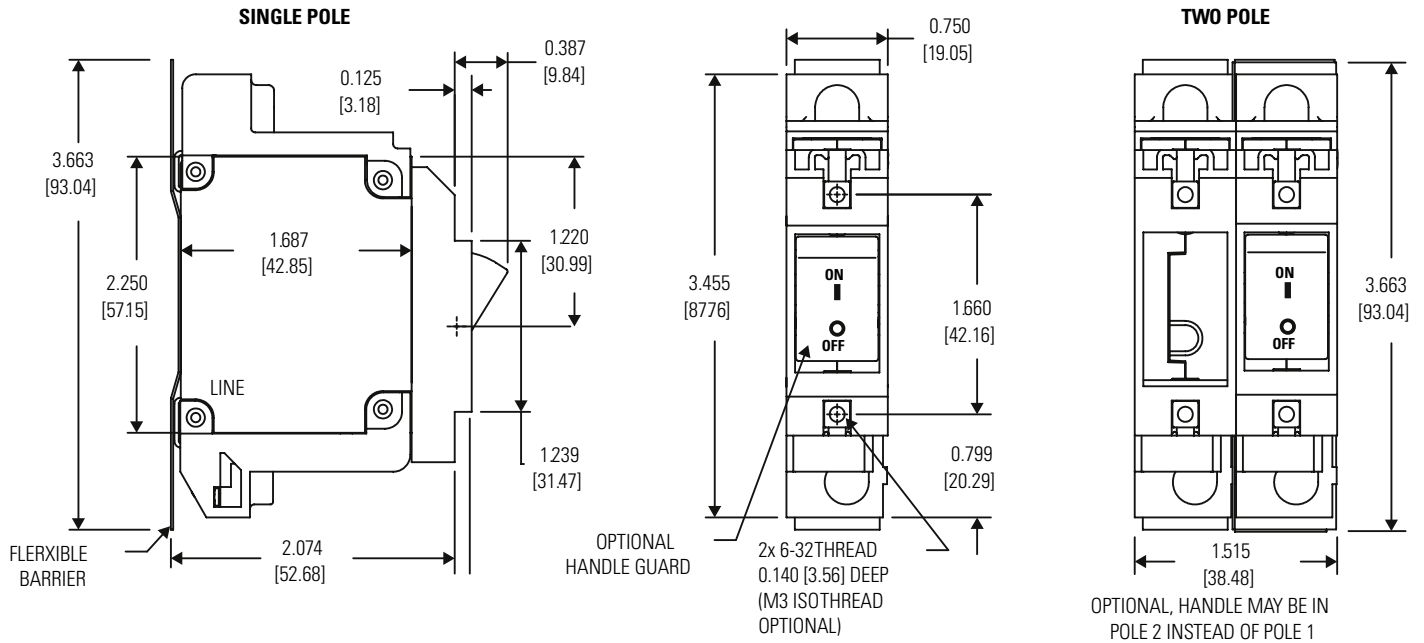


Notes:

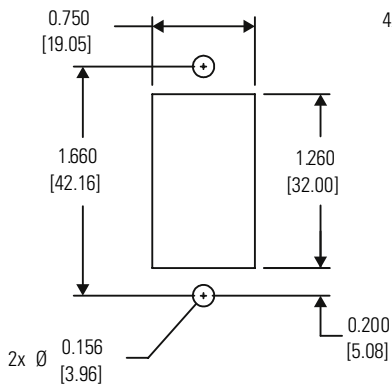
1. All mounting inserts shall be utilized when panel mounting circuit breakers. Panel mounting screws shall have recommended torque applied: 6/32 mounting inserts 6 - 8 inch pounds. M3 mounting inserts 4 - 5 inch pounds.
2. Panel mounting screws shall not extend beyond back of mounting panel more than specified mounting insert depth.
3. Mounting detail tolerance: ± 0.005 [0.13] unless noted.



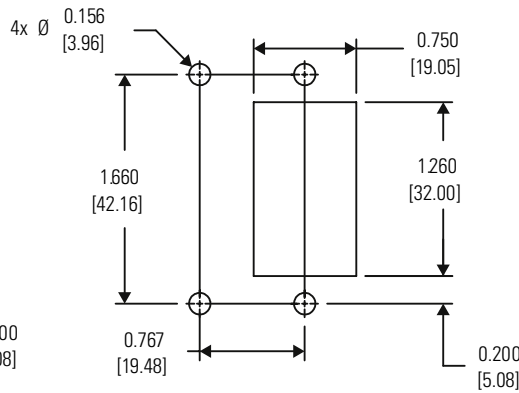
CONFIGURATIONS: LEJBXA ROCKER HANDLE



PANEL MOUNT CUTOUT - 1 POLE



PANEL MOUNT CUTOUT - 2 POLE

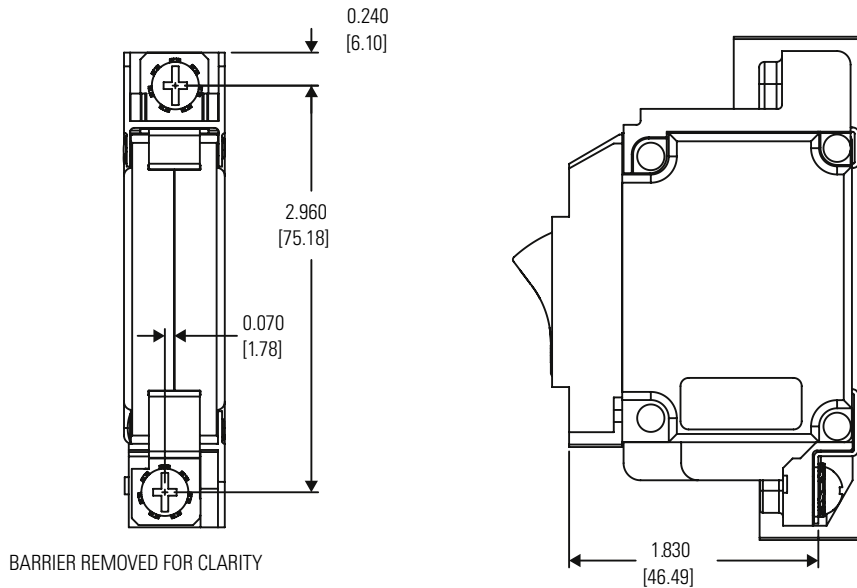
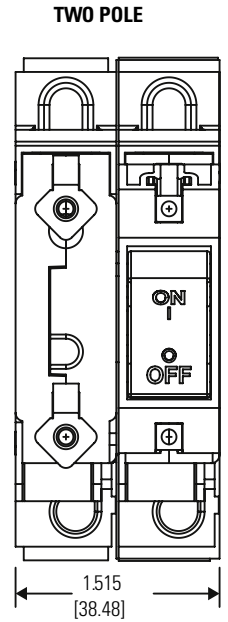
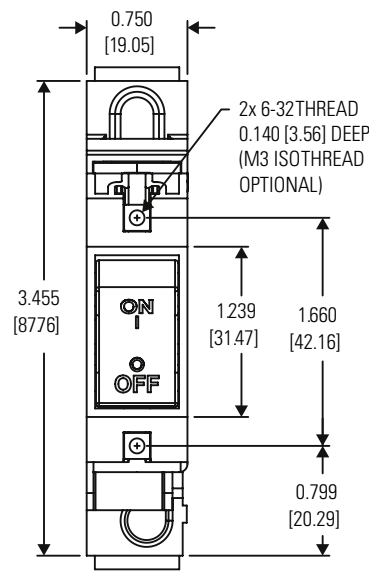
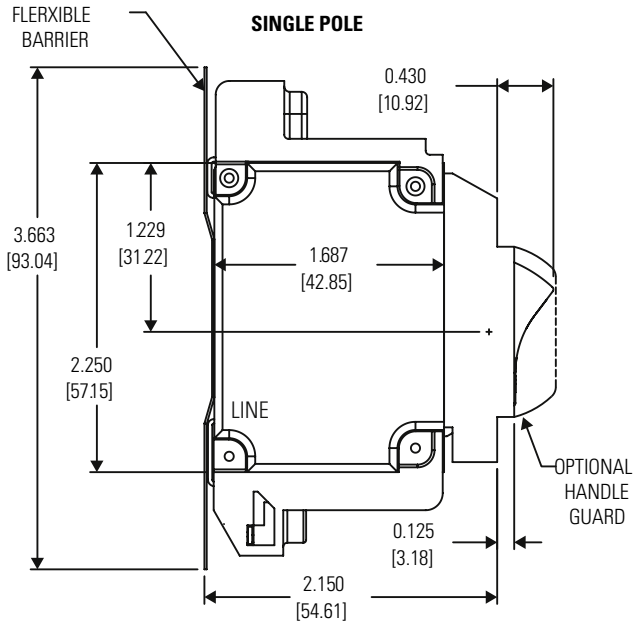


Notes:

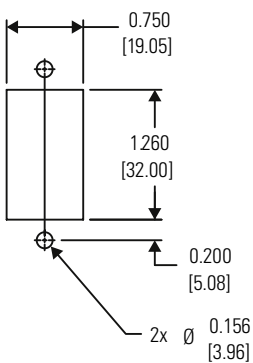
1. All mounting inserts shall be utilized when panel mounting circuit breakers. Panel mounting screws shall have recommended torque applied: 6/32 mounting inserts 6 - 8 inch pounds. M3 mounting inserts 4 - 5 inch pounds.
2. Panel mounting screws shall not extend beyond back of mounting panel more than specied mounting insert depth.
3. Mounting detail tolerance: ± 0.005 [0.13] unless noted.



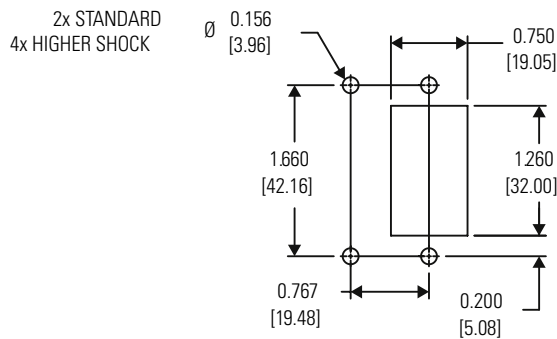
CONFIGURATIONS: LEJZXA, ROCKER HANDLE



PANEL MOUNT CUTOUT - 1 POLE



PANEL MOUNT CUTOUT - 2 POLE



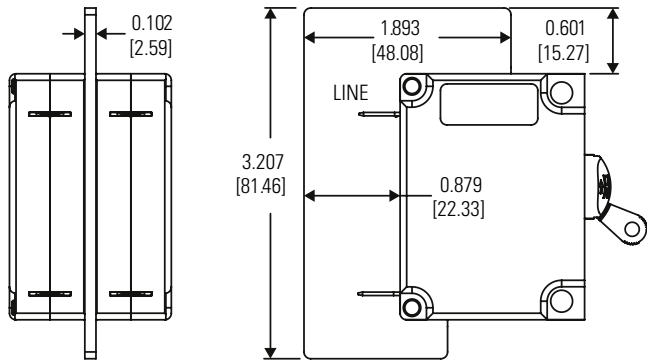
Notes:

1. All mounting inserts shall be utilized when panel mounting circuit breakers. Panel mounting screws shall have recommended torque applied: 6/32 mounting inserts 6 - 8 inch pounds. M3 mounting inserts 4 - 5 inch pounds.
2. Panel mounting screws shall not extend beyond back of mounting panel more than specified mounting insert depth.
3. Mounting detail tolerance: ± 0.005 [0.13] unless noted.

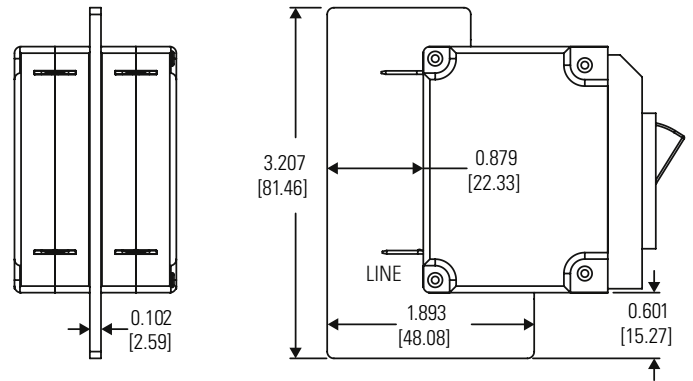


BARRIER OPTIONS FOR MULTI-POLE UNITS

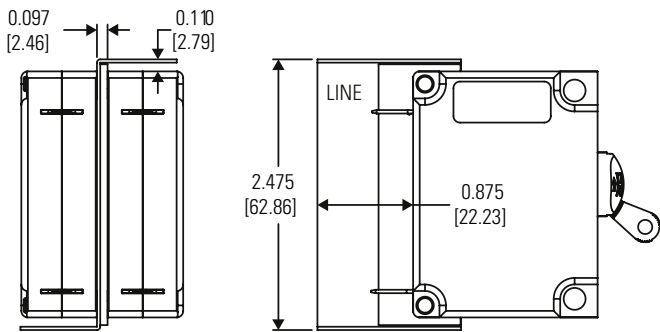
STANDARD BARRIER - TOGGLE HANDLE



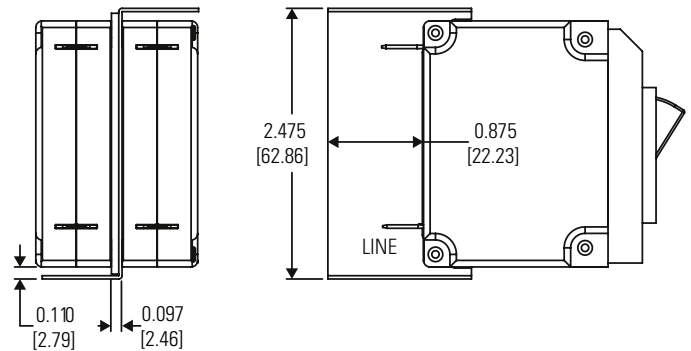
STANDARD BARRIER - ZX & BX HANDLE



OPTIONAL (-Z) BARRIER - TOGGLE HANDLE

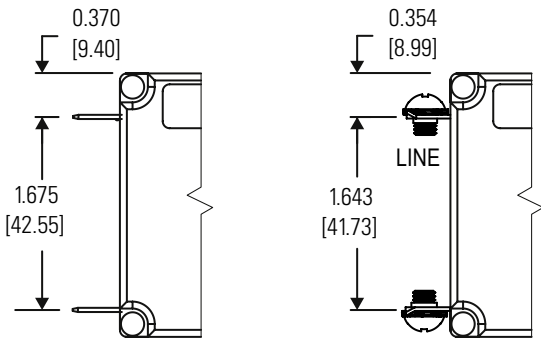


OPTIONAL (-Z) BARRIER - ZX & BX HANDLE

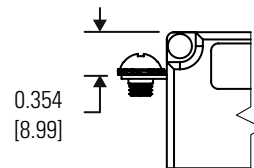


TERMINAL OPTIONS

STANDARD - QUICK CONNECT & SCREW TERMINALS



OPTIONAL - FLAT BUS CONNECT SCREW TERMINAL



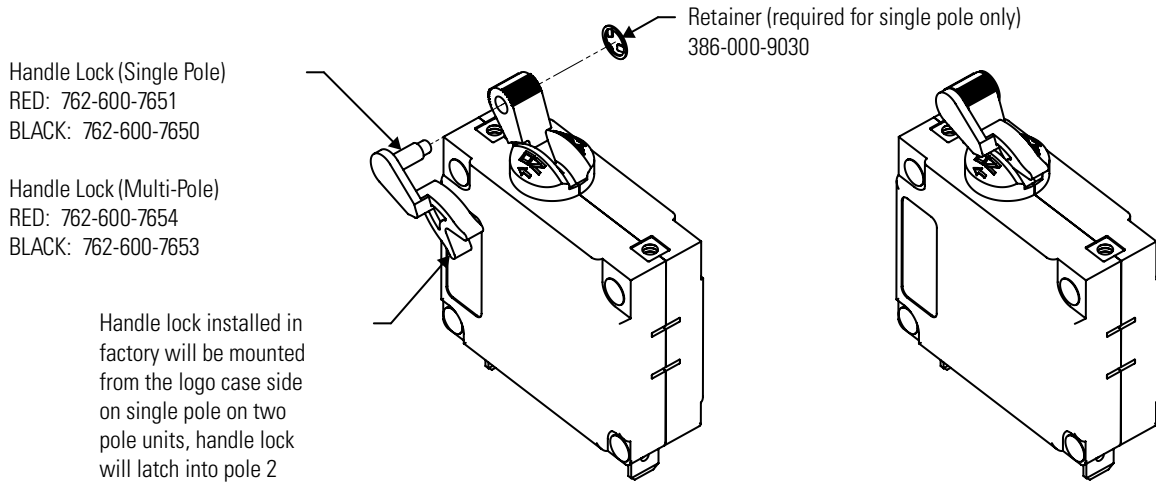
NOTES:

1. Terminals: Quick Connect = 0.250 [6.35] wide x 0.031 [0.79] thick
Screw = 10-32 or M5 x 0.8
TÜV approval with screw terminals include external tooth lockwashers
2. 10000 AIC available only with screw terminals

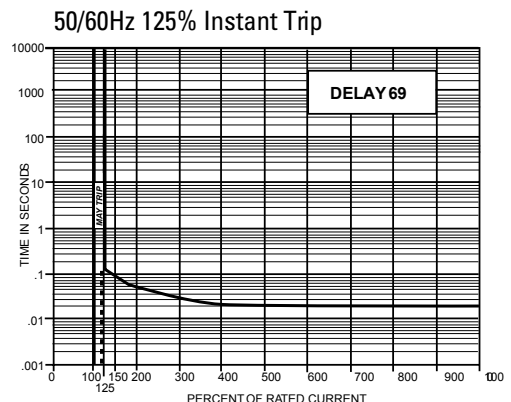
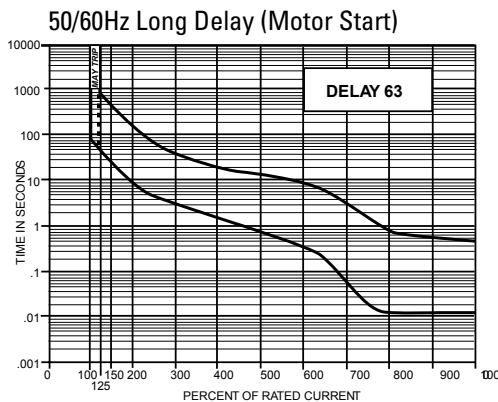
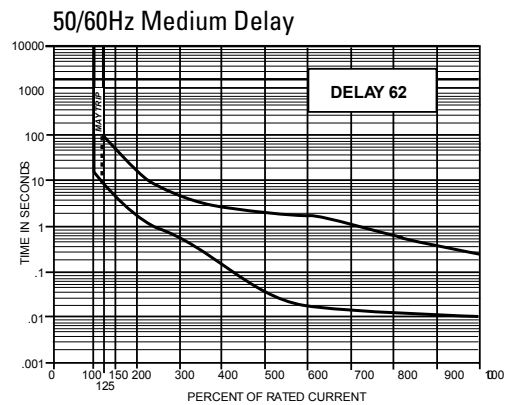
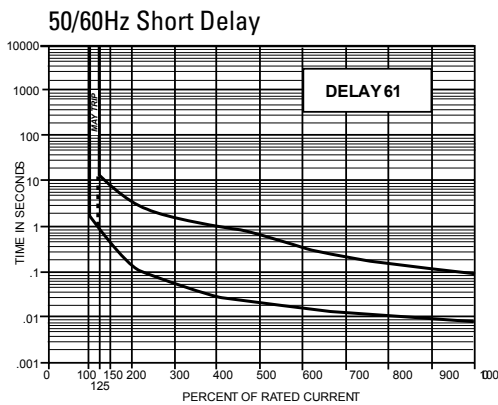


OPTIONAL HANDLE LOCK FOR TOGGLE HANDLE

A handle lock option is available to prevent accidental actuation of the handle. The handle lock may be used in the ON or OFF position. This option is available pre-assembled or separately. Consult factory for ordering information.



DELAY CURVES





PERCENTAGE OF RATED CURRENT VS TRIP TIME IN SECONDS

Percentage of Rated Current vs Trip Time in Seconds at +25°C (Vertical Mount)								
Delay	100%	125%	150%	200%	400%	600%	800%	1000%
61	No Trip	.700 to 12	35 to 7.0	.130 to 3.0	030 to 1	.015 to .3	.01 to .15	.008 to .1
62	No Trip	10 to 120	6 to 60	2 to 25	.2 to 3.0	.015 to 2	.015 to .8	.01 to .25
63	No Trip	50 to 700	30 to 400	10 to 150	1.5 to 20	.015 to 10	.013 to .85	.013 to .5
69	No Trip	0.120 max	0.100 max	0.050 max	0.022 max	0.017 max	0.017 max	0.017 max

Inrush Pulse Tolerance	
Delay	Pulse Tolerance
61, 62, 63	10 times rated current (approx)

The table above provides a comparison of inrush pulse tolerance for each of the 50/60Hz delays. Pulse tolerance is defined as a single pulse of half sine wave peak current amplitude of 8 milliseconds duration that will not trip the circuit breaker. Consult Sensata Technologies for further assistance.

Typical Resistance / Impedance	
Current Ratings (Amps)	Impedance
	AC, 50/60Hz (ohms)
	61, 62, 63, 69
2.00	0.29
5.00	0.051
10.0	0.016
20.0	0.006

DCR and Impedance based on 100% rated current applied and stabilized for a minimum of one hour. Tolerance .05-2.5 amperes \pm 20%; 2.6 -20 amperes \pm 25%. Consult factory for special values and for coil impedance of delays not shown.



ORDERING OPTIONS

IPAP - 1 - 1REC4 - 61 - 10.0 - L - 01 - T

Type & Handle

Step 1a

LEJ: One Handle per Unit, UL 489 Listed, CSA, TÜV*
LEJH: One Handle per Pole, UL 489 Listed, CSA, TÜV*
LUJ: One Handle per Unit, UL 489 Listed
LUJH: One Handle per Pole, UL 489 Listed

Step 1b (optional)

Standard toggle & mounting (no entry, proceed to step 1c)

BX: BX at rocker with integral mounting

ZX: ZX rocker with integral mounting

Step 1c (optional)

F: Flat bus connect screw terminal (ex. LUJZXF)

A: Low depth construction (ex. LEJA)

* TÜV approval (EN60947-2) requires "T" added to end of part number
 "ZX" & "BX" versions are single handle construction only. 2-pole units handle may be located on either pole, other than standard handle locations shown. Units must be ordered as non descript part numbers.

Poles & Terminals

1: Single Pole, Quick Connect Terminals

11: Two Poles, Quick Connect Terminals

6: Single Pole, Screw Terminals*

66: Two Poles, Screw Terminals*

*Screw terminals only for 10KAIC

Internal Configuration

1: Series

Frequency & Delay

61: 50/60Hz short delay

62: 50/60Hz Medium Delay

63: 50/60Hz Long Delay (Motor Start)

69: 50/60Hz 125% Instant Trip

Rated Current

Use three numbers in build (2.00 or 15.0 or 20.0) Required value between

2.00 amps minimum and

20.0 amps maximum, full integers only (specials available upon request)

Additional Options

A: Metric thread mounting inserts and terminal hardware

G: Handle guard w/ limited access (available for ZX & BX versions only)

M: Handle in opposite pole (2-pole only)

Z: Optional "Z" barrier (not available on "A" low depth)

R: 240VAC, 10KAIC

E: 277VAC, 10KAIC

Handle Colors, Indicators & Markings

Toggle Handle

Unmarked	Marked ON - OFF I - O	Handle Color		Vertical Mount ON - OFF (g 1)	Vertical Mount I - O (g 2)	Vertical Mount ON - OFF I - O (g 3)	Horizontal Mount ON - OFF (g 4)	Horizontal Mount I - O (g 5)	Horizontal Mount ON - OFF I - O (g 6)	Handle Color	Indicating Color	Marking Color	Indicates
- 00	- 01	Black											
- 40	- 41	Green	ZX Rocker Handle (Two-Color Rocker, Marking Detail "A")	- F1	- F2	- F3	- F4	- F5	- F6	Black	White	White	OFF
- 10	- 11	Yellow		- G1	- G2	- G3	- G4	- G5	- G6	Black	Red	White	OFF
- 60	- 61	Orange											
- 20	- 21	Red	BX Rocker Handle (Two-Color Rocker, Marking Detail "A")	-	-M2	-M3	-	-	-M6	Black	White	White	OFF
- 90	- 91	White		-	-N2	-N3	-	-	-N6	Black	Red	Red	OFF
- 30	- 31	Blue											

For BX: Bezel of BX is black. BX markings are same color as indicating color. Consult factory for other marking options.

For ZX: Black, red, blue and green handles have white marking. White, yellow and orange handles have black marking.

Note, these are just a few of the options/orientations/colors available, please consult the factory for additional information.



MARKING DETAIL "A"

NOTE: "ON" actuates towards the "up" and "right" direction

Agency Approval

T: TÜV approved Certified to EN60947-2 Includes the CE mark



WARNINGS



RISK OF MATERIAL DAMAGE AND HOT ENCLOSURE

- The product's side panels may be hot, allow the product to cool before touching
- Follow proper mounting instructions including torque values
- Do not allow liquids or foreign objects to enter this product

Failure to follow these instructions can result in serious injury, or equipment damage.



HAZARD OF ELECTRIC SHOCK, EXPLOSION OR ARC FLASH

- Disconnect all power before installing or working with this equipment
- Verify all connections and replace all covers before turning on power

Failure to follow these instructions can result in death or serious injury.

Sensata Technologies, Inc. ("Sensata") data sheets are solely intended to assist designers ("Buyers") who are developing systems that incorporate Sensata products (also referred to herein as "components"). Buyer understands and agrees that Buyer remains responsible for using its independent analysis, evaluation and judgment in designing Buyer's systems and products. Sensata data sheets have been created using standard laboratory conditions and engineering practices. Sensata has not conducted any testing other than that specifically described in the published documentation for a particular data sheet. Sensata may make corrections, enhancements, improvements and other changes to its data sheets or components without notice.

Buyers are authorized to use Sensata data sheets with the Sensata component(s) identified in each particular data sheet. HOWEVER, NO OTHER LICENSE, EXPRESS OR IMPLIED, BY ESTOPPEL OR OTHERWISE TO ANY OTHER SENSATA INTELLECTUAL PROPERTY RIGHT, AND NO LICENSE TO ANY THIRD PARTY TECHNOLOGY OR INTELLECTUAL PROPERTY RIGHT, IS GRANTED HEREIN. SENSATA DATA SHEETS ARE PROVIDED "AS IS". SENSATA MAKES NO WARRANTIES OR REPRESENTATIONS WITH REGARD TO THE DATA SHEETS OR USE OF THE DATA SHEETS, EXPRESS, IMPLIED OR STATUTORY, INCLUDING ACCURACY OR COMPLETENESS. SENSATA DISCLAIMS ANY WARRANTY OF TITLE AND ANY IMPLIED WARRANTIES OF MERCHANTABILITY, FITNESS FOR A PARTICULAR PURPOSE, QUIET ENJOYMENT, QUIET POSSESSION, AND NON-INFRINGEMENT OF ANY THIRD PARTY INTELLECTUAL PROPERTY RIGHTS WITH REGARD TO SENSATA DATA SHEETS OR USE THEREOF.

All products are sold subject to Sensata's terms and conditions of sale supplied at www.sensata.com SENSATA ASSUMES NO LIABILITY FOR APPLICATIONS ASSISTANCE OR THE DESIGN OF BUYERS' PRODUCTS. BUYER ACKNOWLEDGES AND AGREES THAT IT IS SOLELY RESPONSIBLE FOR COMPLIANCE WITH ALL LEGAL, REGULATORY AND SAFETY-RELATED REQUIREMENTS CONCERNING ITS PRODUCTS, AND ANY USE OF SENSATA COMPONENTS IN ITS APPLICATIONS, NOTWITHSTANDING ANY APPLICATIONS-RELATED INFORMATION OR SUPPORT THAT MAY BE PROVIDED BY SENSATA.

Mailing Address: Sensata Technologies, Inc., 529 Pleasant Street, Attleboro, MA 02703, USA.

CONTACT US

Americas

508-236-2551
electrical-protection-sales@
sensata.com

Europe, Middle East & Africa

+31743578156
info-sse@list.sensata.com

Asia Pacific

sales.isasia@list.sensata.com
China +86 (21) 2306 1500
Japan +81 (45) 277 7117
Korea +82 (31) 601 2004
India +91 (80) 67920890
Rest of Asia +886 (2) 27602006
ext 2808