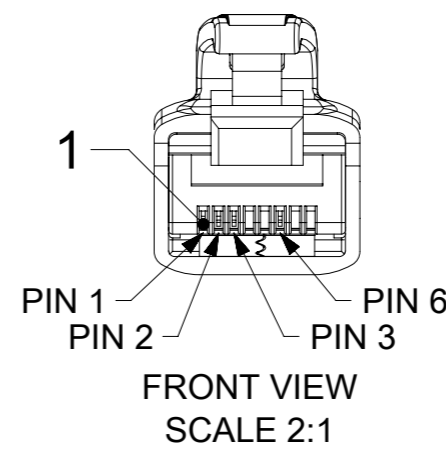
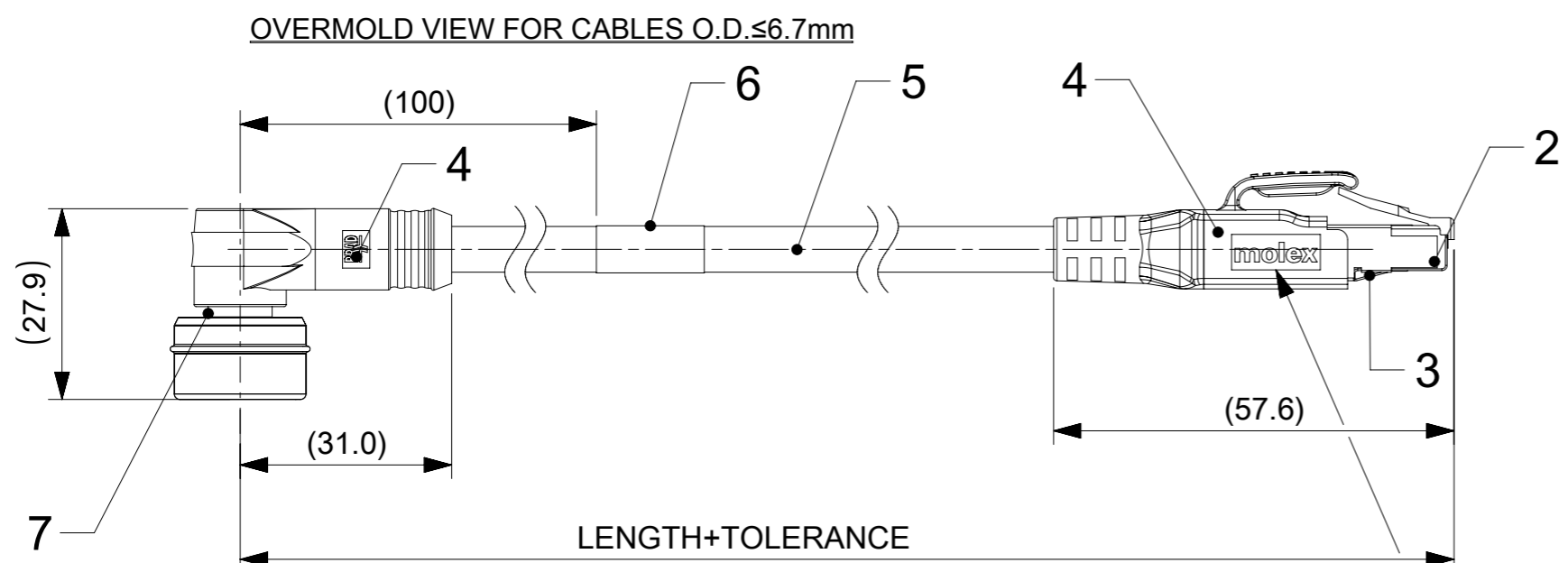
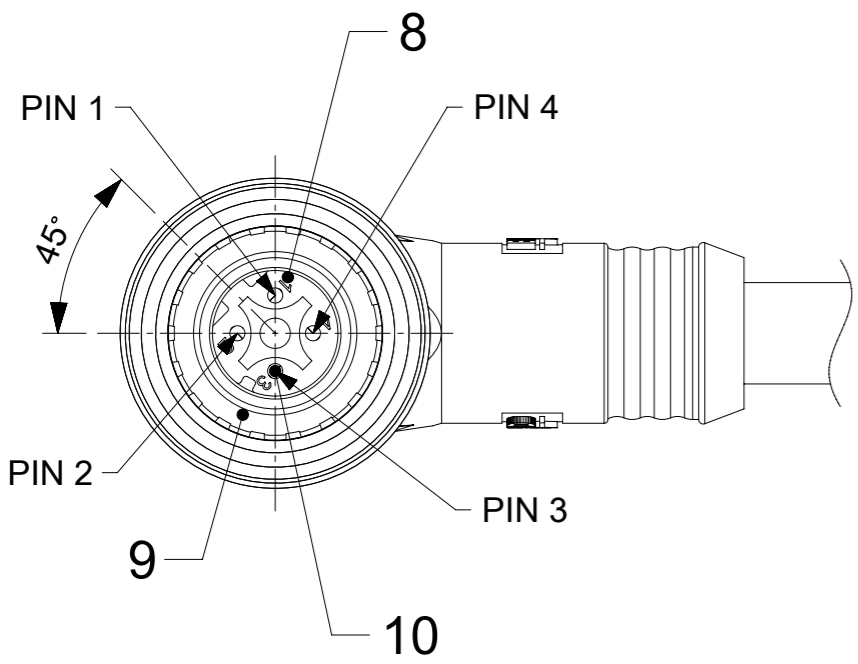
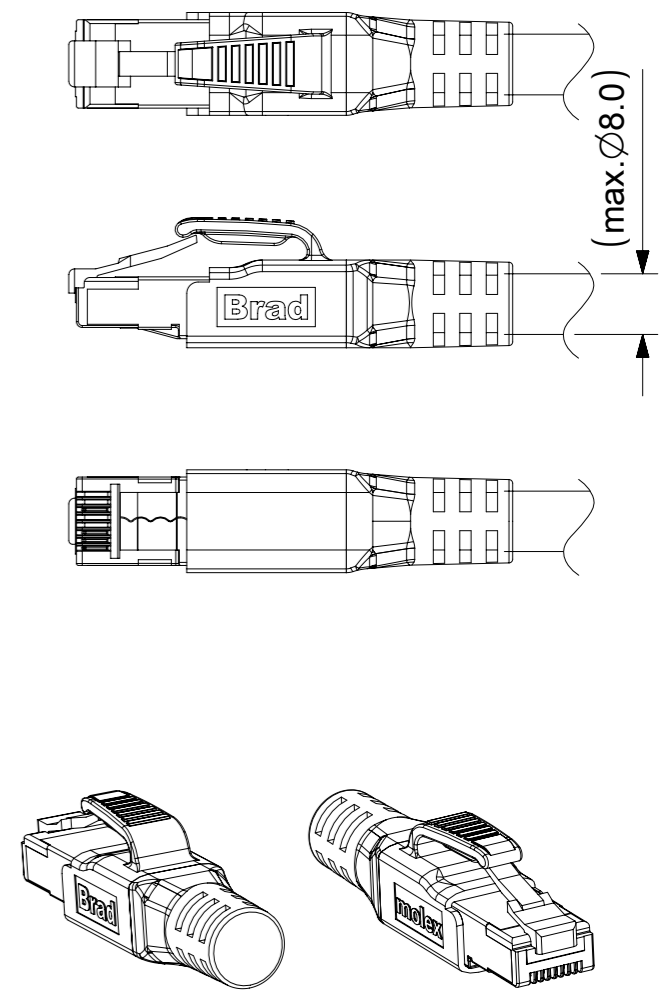


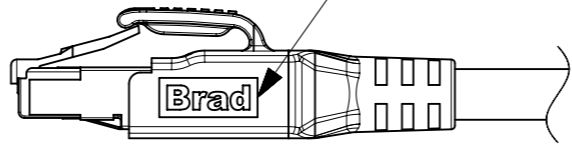
MALE PLUG U12 ANGLED 90° TO PLUG RJ45 STRAIGHT



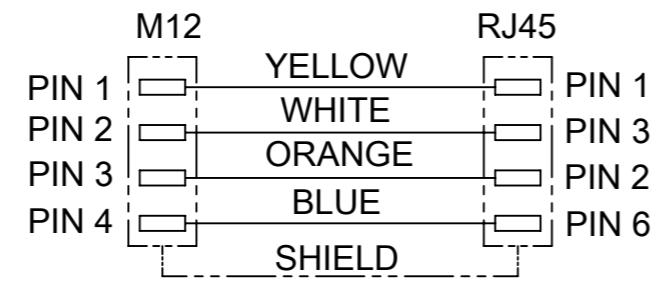
OVERMOLD VIEW FOR CABLES O.D. ≥ 6.7mm



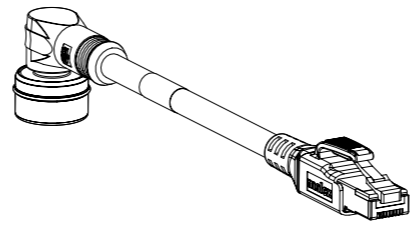
BLACK OVERMOULD
MOLEX LOGO ON ONE SIDE
BRAD LOGO ON OTHER SIDE



WIRING DIAGRAM



- NOTES:**
1. MATERIALS : SEE BOM TABLE
 2. FINISHES: SEE BOM TABLE
 3. ELECTRICAL DATA:
MAX. VOLTAGE RATING 60 VDC
MAX. CURRENT PER CONTACT 1.5 A
 4. ENVIRONMENTAL:
INDEX OF PROTECTION RJ45: IP20
INDEX OF PROTECTION M12: IP67
OPERATING TEMP : -25°C to +85°C



SCALE 1:2

ITEM	QTY.	DESCRIPTION	MATERIAL	FINISH
10	4	CONTACTS	BRASS	SELECTIVE GOLD
9	1	ORING GREEN	FPM	---
8	1	INSERT 4P MALE BLACK	TPU	---
7	1	SLEEVE	BRASS	NICKEL
6	1	LABEL	VINYL	---
5	-	CABLE	SEE SHEET 2	---
4	-	OVERMOULDING BLACK	TPU	---
3	1	SHIELD	BRASS	TIN
2	1	PLUG RJ45 TRANSPARENT	POLYCARBONATE	---
1	4	CONTACT RJ45 MALE	PHOSPHOR BRONZE	SELECTIVE GOLD

FUNCTIONAL SYMBOLS		THIS DRAWING CONTAINS INFORMATION THAT IS PROPRIETARY TO MOLEX ELECTRONIC TECHNOLOGIES, LLC AND SHOULD NOT BE USED WITHOUT WRITTEN PERMISSION		CURRENT REV DESC:			
▽/A = 0	mm	SCALE	1:1	EC NO: 695694			
▽/E = 0	GENERAL TOLERANCES (UNLESS SPECIFIED)			DRWN: SSM		2021/10/20	
▽/V = 0	ANGULAR TOL ± °			CHK'D: RSILLER		2022/02/15	
DIVISIONAL SYMBOLS		3 PLACES ±		APPR: RSILLER		2022/02/15	
		2 PLACES ±		INITIAL REVISION:		DOCUMENT NUMBER	
		1 PLACE ±		DRWN: JMARSZALEK		1201088224	
		0 PLACES ±		APPR: RSILLER		DOC TYPE DOC PART REVISION	
DRAFT WHERE APPLICABLE MUST REMAIN WITHIN DIMENSIONS		THIRD ANGLE PROJECTION		DRAWING		SERIES	
		A3-SIZE		120108		MATERIAL NUMBER CUSTOMER	
		SEE PART LIST		GENERAL MARKET		SHEET NUMBER	
		1 OF 2					

NUMERICAL CODE (Available parts see PART LIST table. Other parts available upon request).

OPTIONS

E W 6 A 0 6 1 X X M X X X X

E=Ethernet	Heads: W=Ultra-Lock U12 4P D-Code 6=RJ45	Wiring type	Heads style: 061=MA U12 RA 90° / RJ45 Plug STR	Cable type: See cable table	Units: M=Meter T=10x meter	Length Examples: 005=0.5 units 010=1 units 150=15 units	H= 2 pcs. of I/D Carrier
------------	---	----------------	--	--------------------------------	----------------------------------	---	-----------------------------

CABLE INFORMATION (for more information see Cable Data Sheet).

CABLE TYPE	CABLE O.D.	APPLICATION	CROSS SECTION	CABLE JACKET	UL	TEMP. RANGE STATIC BENDING RADIUS STATIC	TEMP. RANGE DYNAMIC BENDING RADIUS DYNAMIC	CYCLES	ADDITIONAL INFORMATION
11	6.8mm	PROFINET TYPE C	22AWG	PUR GREEN	STYLE 20549	-40°C to +80°C / min.5xO.D.	-20°C to +70°C / min.7.5xO.D.	up to 5 Mio	-
12	6.7mm	PROFINET TYPE C	22AWG	TPU BASED GREEN	STYLE 21215	-40°C to +80°C / min.5xO.D.	-25°C to +80°C / min.15xO.D.	about 2M, min.15xO.D., -5°C to +60°C	WSOR
16	6.5mm	-	24AWG	TPU BASED TEAL	STYLE 21215	-40°C to +80°C / min.6xO.D.	-20°C to +50°C	1M, min.10xO.D. / 2M min.20xO.D. @20°C	WSOR
17	8.0mm	PROFINET TYPE B & C	22AWG	TPE GREEN	STYLE 2463	-40°C to +75°C		1M min.10xO.D. / 10M min.20xO.D. @20°C	WSOR

PART LIST

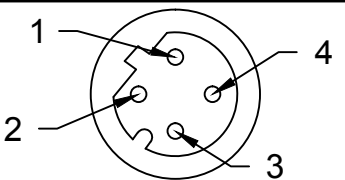
No.	MOLEX P/N	ENGINEERING NO.	CABLE LENGTH
1	1201088224	EW6A06111M020	2m
2	1201088225	EW6A06111M060	6m
3	1201088226	EW6A06111M100	10m
4	1201088227	EW6A06111M150	15m
5	1201088228	EW6A06111M200	20m
6	1201088229	EW6A06111M300	30m
7	1201088230	EW6A06111M400	40m
8	1201088231	EW6A06111M500	50m
9	1201088232	EW6A06111M900	90m
10	1201088233	EW6A06111T100	100m
11	1201088383	EW6A06111M012	1.2m
12			
13			
14			
15			
16			
17			
18			
19			
20			
21			
22			
23			
24			
25			

CABLE LENGTH TOLERANCES

LENGTH	TOLERANCE
0 m-1 m	+40 mm
>1 m-5 m	+60 mm
>5 m-10 m	+80 mm
>10 m-20 m	+140 mm
>20 m-30 m	+160 mm
>30 m	+1% length

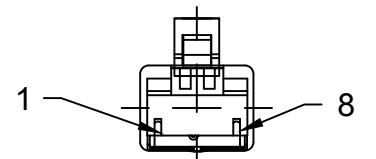
FUNCTIONAL SYMBOLS	THIS DRAWING CONTAINS INFORMATION THAT IS PROPRIETARY TO MOLEX ELECTRONIC TECHNOLOGIES, LLC AND SHOULD NOT BE USED WITHOUT WRITTEN PERMISSION																											
<table border="1"> <tr> <th>FUNCTIONAL SYMBOLS</th> <th>DIMENSION UNITS</th> <th>SCALE</th> </tr> <tr> <td>$\nabla_A = 0$</td> <td>mm</td> <td>1:1</td> </tr> <tr> <td>$\nabla_E = 0$</td> <td colspan="2">GENERAL TOLERANCES (UNLESS SPECIFIED)</td> </tr> <tr> <td>$\nabla_V = 0$</td> <td colspan="2">ANGULAR TOL ± °</td> </tr> <tr> <td></td> <td>4 PLACES</td> <td>±</td> </tr> <tr> <td></td> <td>3 PLACES</td> <td>±</td> </tr> <tr> <td></td> <td>2 PLACES</td> <td>±</td> </tr> <tr> <td></td> <td>1 PLACE</td> <td>±</td> </tr> <tr> <td></td> <td>0 PLACES</td> <td>±</td> </tr> </table>	FUNCTIONAL SYMBOLS	DIMENSION UNITS	SCALE	$\nabla_A = 0$	mm	1:1	$\nabla_E = 0$	GENERAL TOLERANCES (UNLESS SPECIFIED)		$\nabla_V = 0$	ANGULAR TOL ± °			4 PLACES	±		3 PLACES	±		2 PLACES	±		1 PLACE	±		0 PLACES	±	<p>CURRENT REV DESC:</p> <p>EC NO: 695694 DRWN: SSM CHK'D: RSILLER APPR: RSILLER</p> <p>INITIAL REVISION: DRWN: JMARSZALEK APPR: RSILLER</p> <p>2021/10/20 2022/02/15 2022/02/15</p> <p>2016/03/08 2021/09/20</p>
FUNCTIONAL SYMBOLS	DIMENSION UNITS	SCALE																										
$\nabla_A = 0$	mm	1:1																										
$\nabla_E = 0$	GENERAL TOLERANCES (UNLESS SPECIFIED)																											
$\nabla_V = 0$	ANGULAR TOL ± °																											
	4 PLACES	±																										
	3 PLACES	±																										
	2 PLACES	±																										
	1 PLACE	±																										
	0 PLACES	±																										
molex																												
CSE U12 RJ45 4P DC MA RA PUR MA STR XM																												
PRODUCT CUSTOMER DRAWING																												
DOCUMENT NUMBER	DOC TYPE DOC PART REVISION																											
1201088224	PSD 000 A1																											
DRAFT WHERE APPLICABLE MUST REMAIN WITHIN DIMENSIONS	THIRD ANGLE PROJECTION																											
DRAWING	SERIES																											
A3-SIZE	120108																											
MATERIAL NUMBER	CUSTOMER																											
SEE PART LIST	GENERAL MARKET																											
SHEET NUMBER																												
2 OF 2																												

FRONT VIEW - MALE M12

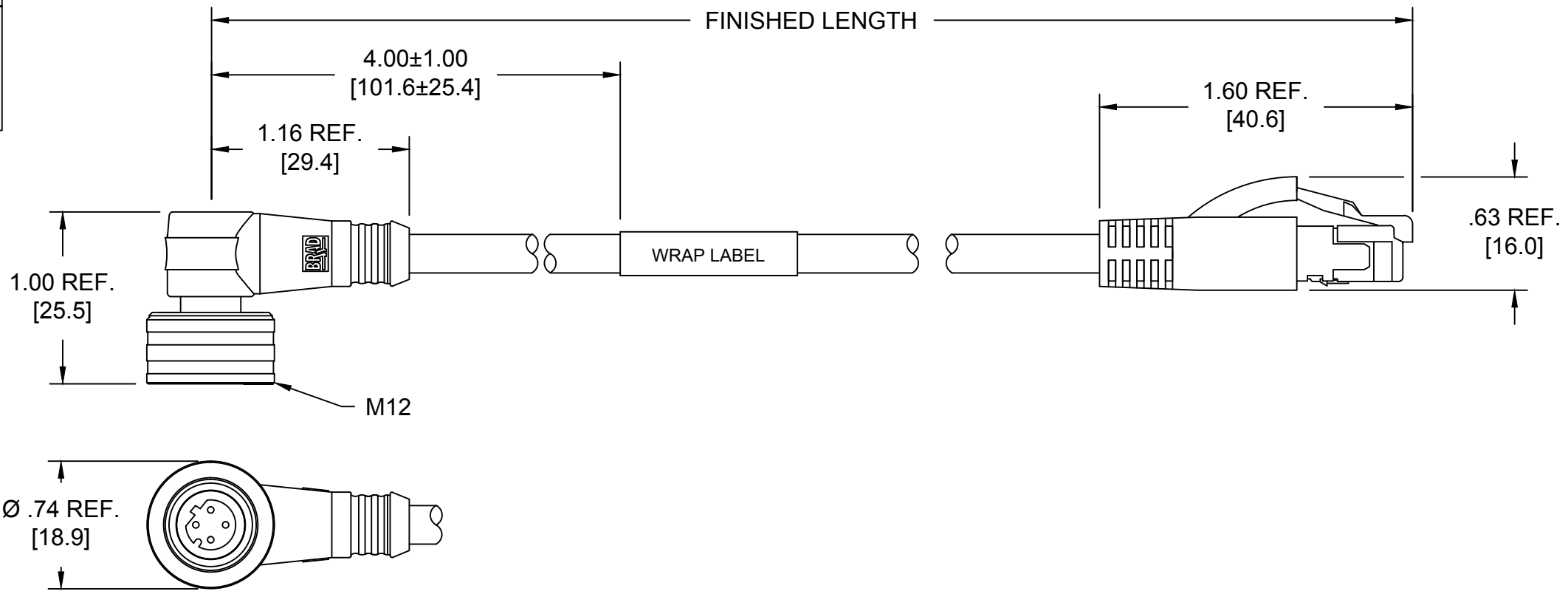


1-YELLOW
2-WHITE
3-ORANGE
4-BLUE

FRONT VIEW - MALE RJ45



1-YELLOW
2-ORANGE
3-WHITE
6-BLUE



NOTES:

MECHANICAL

RJ45
PLUG: CLEAR POLYCARBONATE
BOOT: BLACK PVC

M12 CONNECTOR
INSERT: BLACK PUR
CONTACT: GOLD/NICKEL OVER COPPER ALLOY
COUPLING NUT: NICKEL PLATED BRASS
MOLDED BODY: BLACK PUR

CABLE: 22 AWG 4 CONDUCTORS SHIELDED GREEN PUR JACKET
AGENCY LISTED: UL AND CSA
CABLE MARKING: X N X 2x2xAWG22/7-9H(ST) C11Y INDUSTRIAL ETHERNET
PROFINET TYP C E48408 cULus AWM STYLE 20236 AWM I/II A/B
80°C 30 V FT1

WRAP LABEL: MARKED WITH P/N, DATE CODE, VOLTAGE & AMPERAGE

ELECTRICAL

ACCORDING TO CAT5e
VOLTAGE RATING: 30V AC/DC
AMPERAGE: 1.5A

ADDED PART NO. TABLE EC NO: IPG2015-2010 DRWN: GGUSTAFS 2015/05/27 CHKD: BARDEN 2015/07/23 APPR: BWOODMAN 2014/08/02	DESCRIPTION REV	QUALITY SYMBOLS	GENERAL TOLERANCES (UNLESS SPECIFIED)		DIMENSION STYLE		SCALE	DESIGN UNITS	THIRD ANGLE PROJECTION		
		▼=0 ∇=0	mm	INCH	IN/MM	NTS	INCH	TITLE MICRO-CHANGE/RJ45 4P M ULOCK 90D TO RJ45 2X2X22AWG GREEN PUR			
			4 PLACES	±---	±---	DRAWN BY	DATE				
			3 PLACES	±---	±.005	BARDEN	2013/12/04				
2 PLACES	±0.13	±.010	CHECKED BY	DATE	MOLEX INCORPORATED		DOCUMENT NO. SD-120108-070		SHEET NO. 1 OF 2		
1 PLACE	±0.25	±.020	TWOLDEGE	2014/04/09							
ANGULAR ±1/2°			APPROVED BY		DATE	MATERIAL NO.		SEE TABLE		THIS DRAWING CONTAINS INFORMATION THAT IS PROPRIETARY TO MOLEX INCORPORATED AND SHOULD NOT BE USED WITHOUT WRITTEN PERMISSION	
DRAFT WHERE APPLICABLE MUST REMAIN WITHIN DIMENSIONS			JFMURPHY		2014/08/02	SIZE		B			

MATERAIL NO.	ENGINEERING NO.
1201088383	EW6A06111M012
1201088224	EW6A06111M020
1201088225	EW6A06111M060
1201088226	EW6A06111M100
1201088227	EW6A06111M150
1201080228	EW6A06111M200
1201088229	EW6A06111M300
1201088230	EW6A06111M400
1201088231	EW6A06111M500
1201088232	EW6A06111M900
1201088233	EW6A06111T100

EW6A06111M020

CABLE TYPE
22/4AWG
PUR GREEN

CABLE LENGTH
010----1 Meter
100----10 Meters

ADDED PART NO. TABLE EC NO: IPG2015-2010 DRWN: GGUSTAFS 2015/05/27 CHKD: BARDEN 2015/07/23 APPR: BWOODMAN 2014/08/02	DESCRIPTION REV	QUALITY SYMBOLS	GENERAL TOLERANCES (UNLESS SPECIFIED)		DIMENSION STYLE		SCALE	DESIGN UNITS	THIRD ANGLE PROJECTION		
		 	mm	INCH	IN/MM		NTS	INCH			
			4 PLACES	±---	±---	DRAWN BY	DATE	TITLE			
			3 PLACES	±---	±.005	BARDEN	2013/12/04	MOLEX INCORPORATED MICRO-CHANGE/RJ45 4P M ULOCK 90D TO RJ45 2X2X22AWG GREEN PUR			
2 PLACES	±0.13	±.010	CHECKED BY	DATE	DOCUMENT NO.	SHEET NO.					
1 PLACE	±0.25	±.020	TWOLDEGE	2014/04/09	SD-120108-070	2 OF 2					
ANGULAR ±1/2°			DRAFT WHERE APPLICABLE MUST REMAIN WITHIN DIMENSIONS		APPROVED BY		MATERIAL NO.		THIS DRAWING CONTAINS INFORMATION THAT IS PROPRIETARY TO MOLEX INCORPORATED AND SHOULD NOT BE USED WITHOUT WRITTEN PERMISSION		
					JFMURPHY		2014/08/02		SEE TABLE		