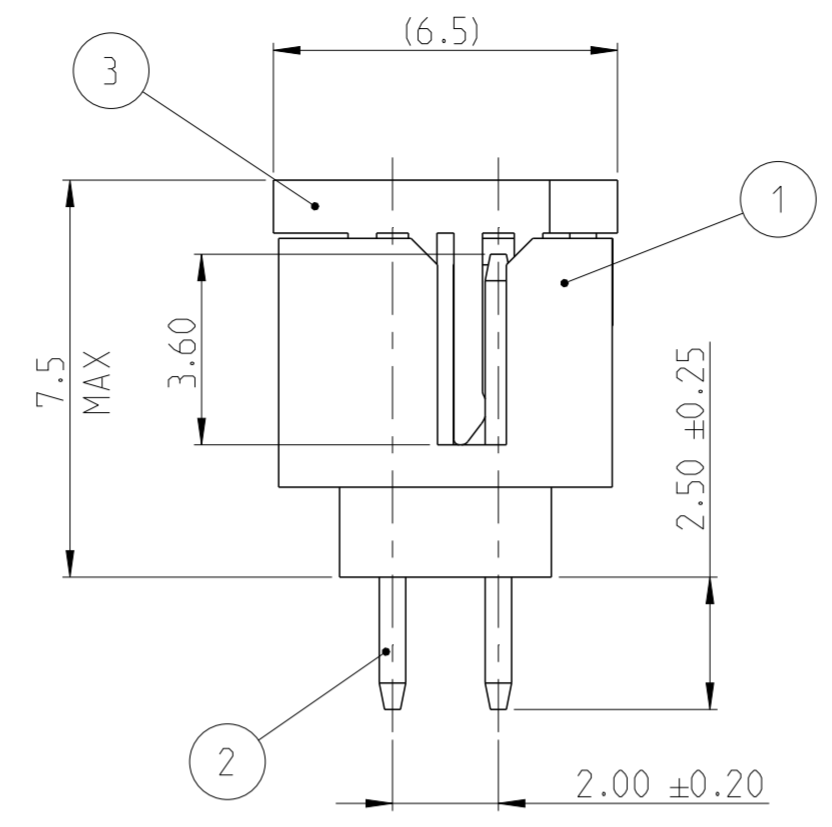
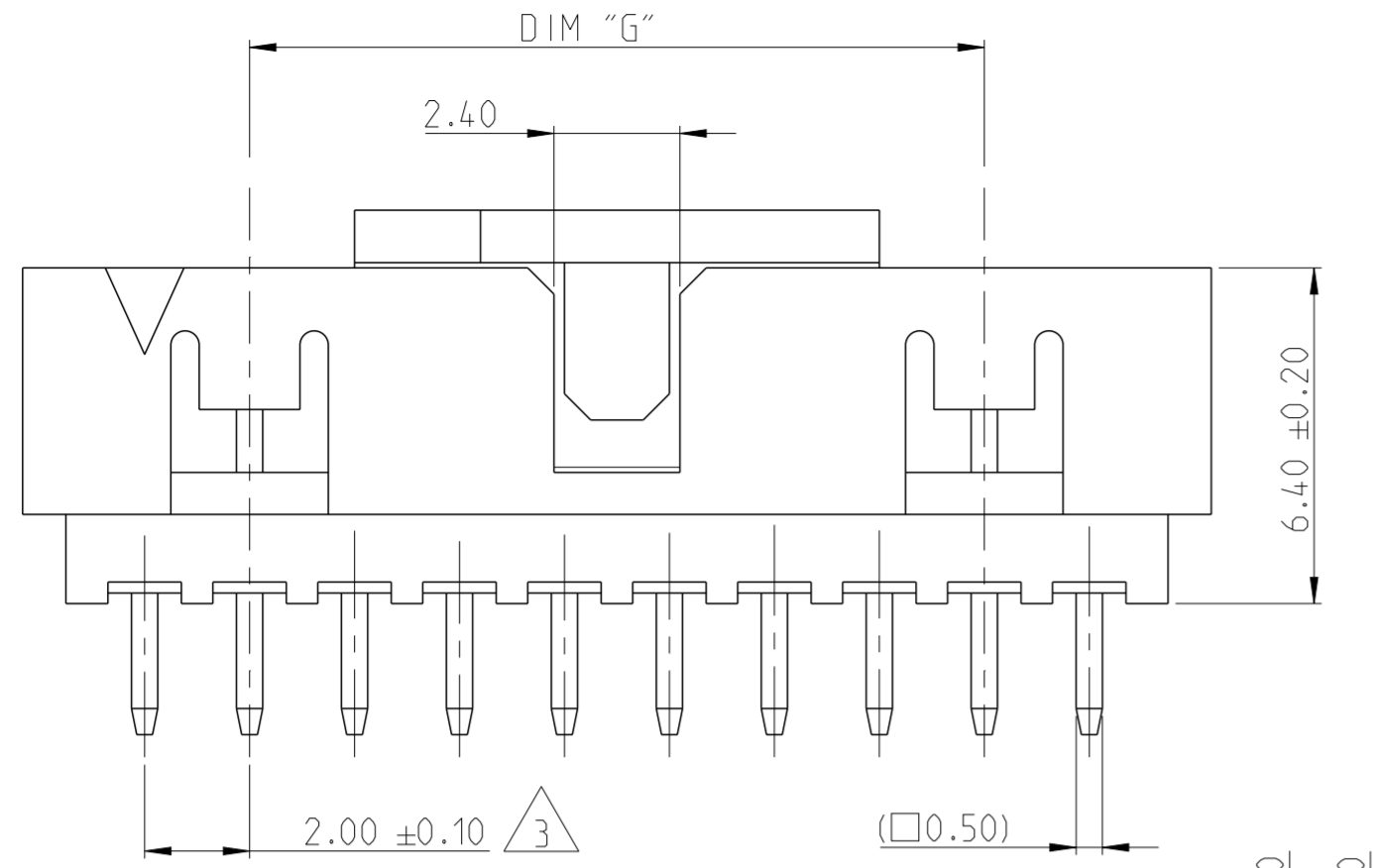
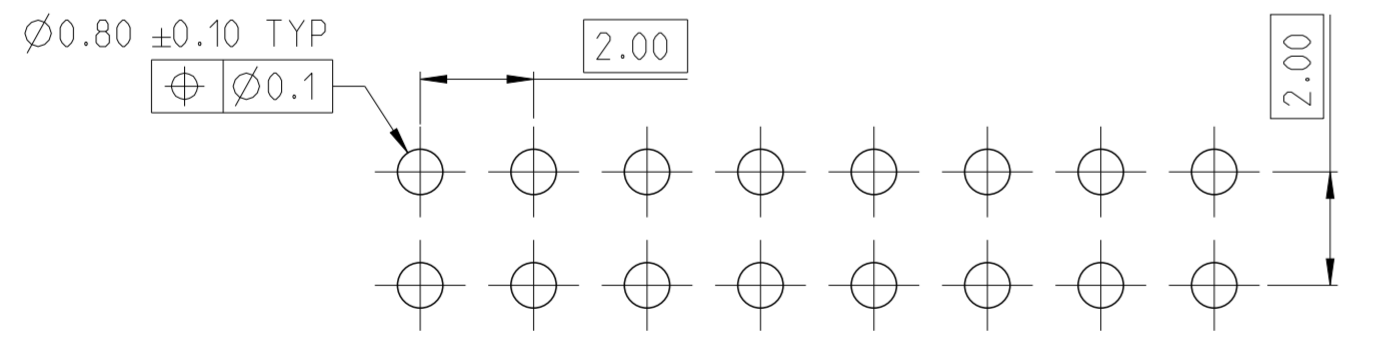
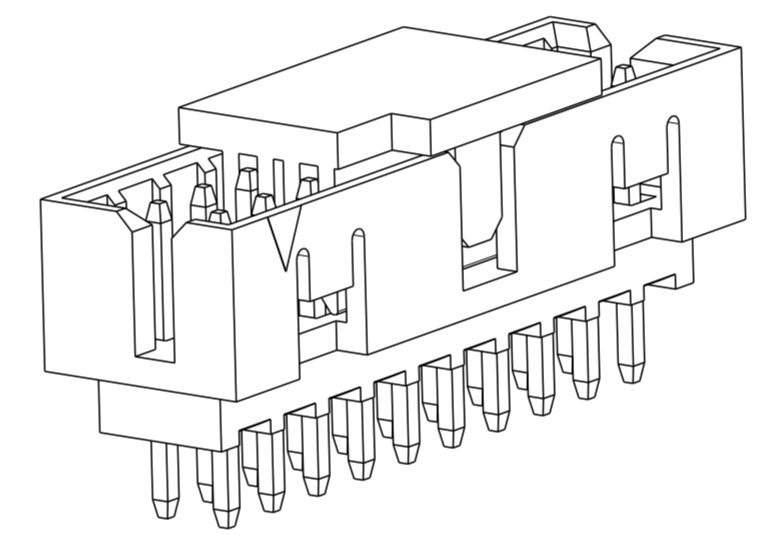
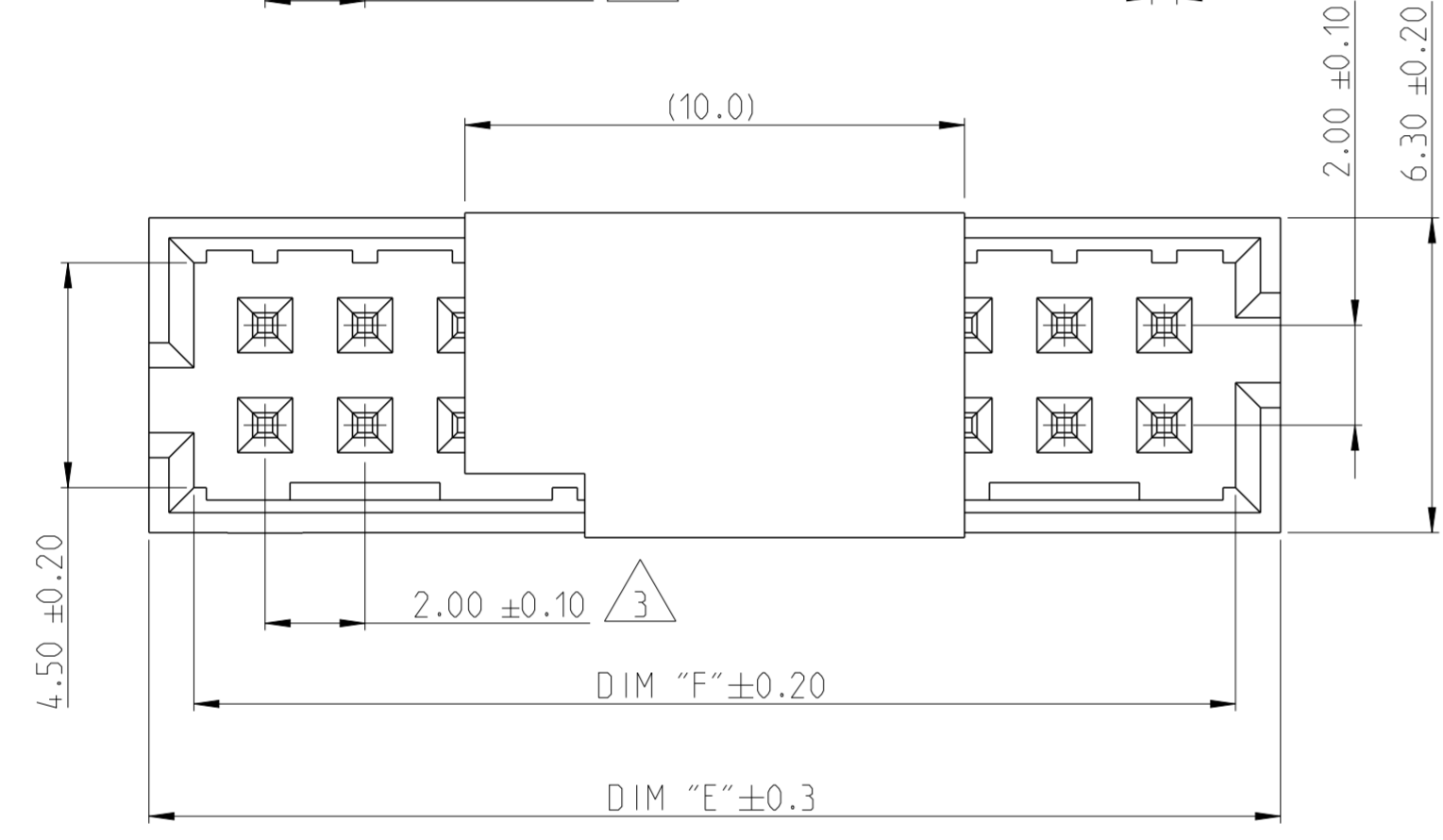


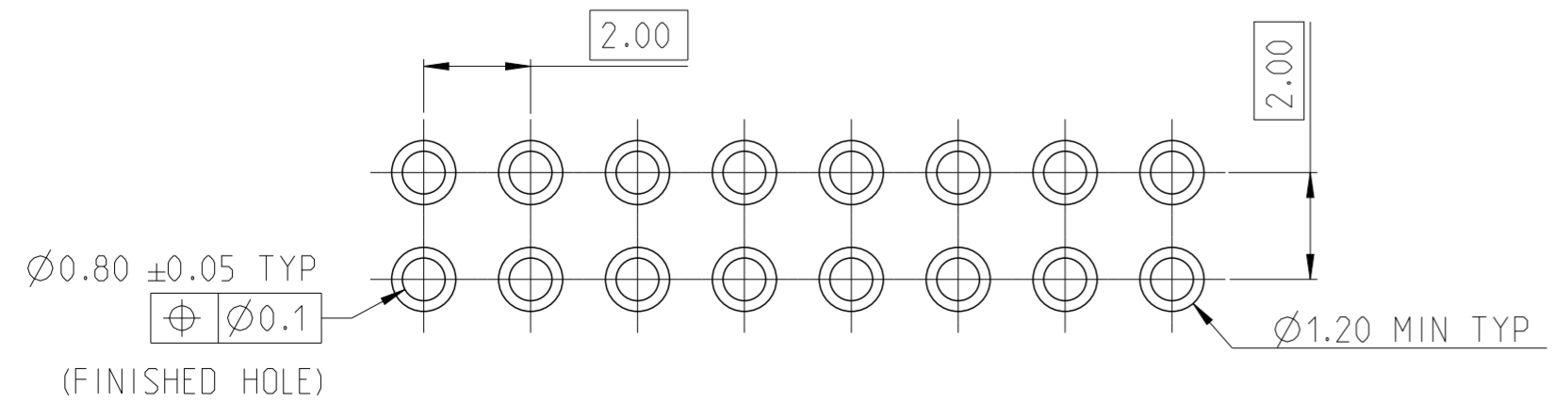
REVISIONS					
P	LTR	DESCRIPTION	DATE	DWN	APVD
	A	RELEASE TO PRODUCTION	09DEC2019	AY	PS



- NOTES:
- MATERIAL
HOUSING & P&P CAP : HIGH TEMPERATURE THERMOPLASTIC, UL94-V0; COLOR- BLACK
POST : COPPER ALLOY
FINISH : MIN. 2.0 µm TIN OVER NICKEL UNDER PLATING.
 - PACKAGING: TUBE (WITH PICK AND PLACE CAP)
- △ TOLERANCE NOT CUMULATIVE.



RECOMMENDED PCB HOLE PATTERN FOR THROUGH HOLE WAVE



RECOMMENDED PCB HOLE PATTERN FOR THROUGH HOLE REFLOW /PIN-IN-PASTE

2-2842301-0 AS SHOWN

44	50.85	52.65	50	5-2842301-0
38	44.85	46.65	44	4-2842301-4
34	40.85	42.65	40	4-2842301-0
28	34.85	36.65	34	3-2842301-4
24	30.85	32.65	30	3-2842301-0
20	26.85	28.65	26	2-2842301-6
18	24.85	26.65	24	2-2842301-4
14	20.85	22.65	20	2-2842301-0
10	16.85	18.65	16	1-2842301-6
8	14.85	16.65	14	1-2842301-4
DIM "G"	DIM "F"	DIM "E"	POS.	TE PN.

THIS DRAWING IS A CONTROLLED DOCUMENT.		DWN ANKIT YADAV 12NOV2019	TE Connectivity			
DIMENSIONS: mm		CHK KARTHIK JK 25NOV2019				
TOLERANCES UNLESS OTHERWISE SPECIFIED:		APVD PRASHANTH S. 27NOV2019	NAME AMPMODU 2mm SHROUDED HEADER, DUAL ROW, VERTICAL TH. SN. TUBE, WITH PICK AND PLACE CAP			
0 PLC ±	1 PLC ±	PRODUCT SPEC 108-64040	SIZE A2	CAGE CODE 00779	DRAWING NO C-2842301	RESTRICTED TO -
2 PLC ±0.25	3 PLC ±	APPLICATION SPEC 114-32259	SCALE 5:1		SHEET 1 OF 1	REV A
4 PLC ±	ANGLES ±2°	WEIGHT -	CUSTOMER DRAWING			
FINISH -	-	-				
PICK AND PLACE CAP 3	CONTACT PIN 2	MATERIAL SEE NOTES				
HOUSING 1	DESCRIPTION ITEM NO.	-				