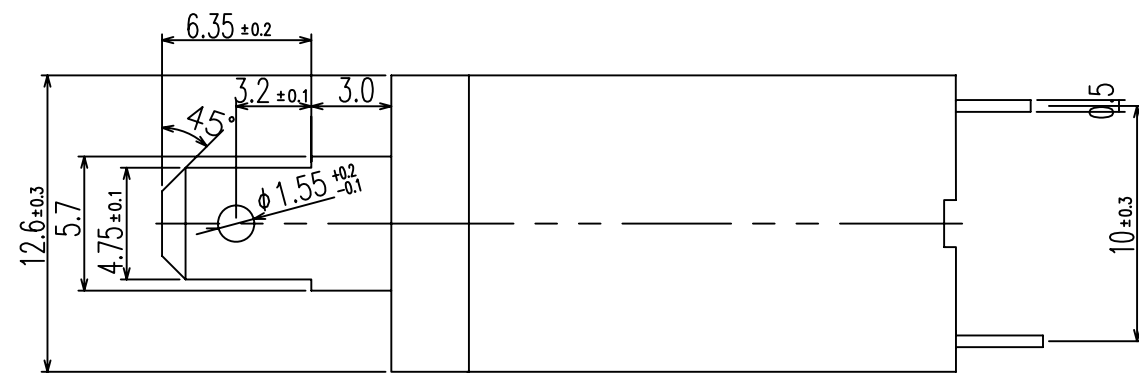
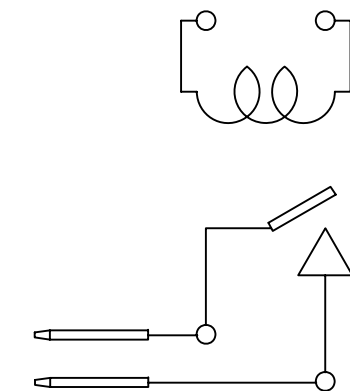
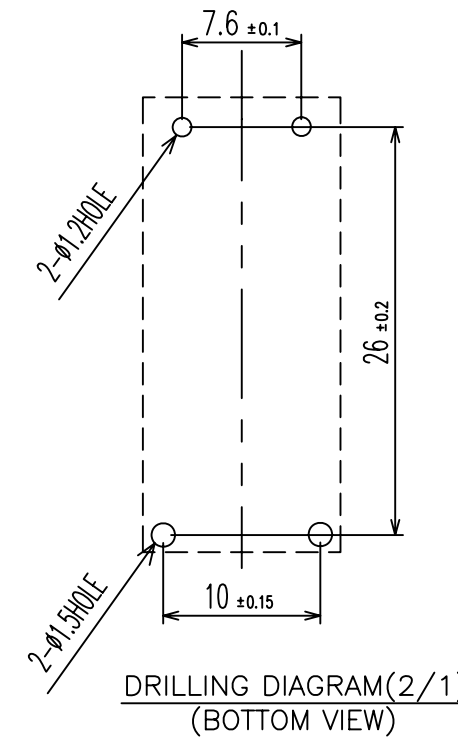
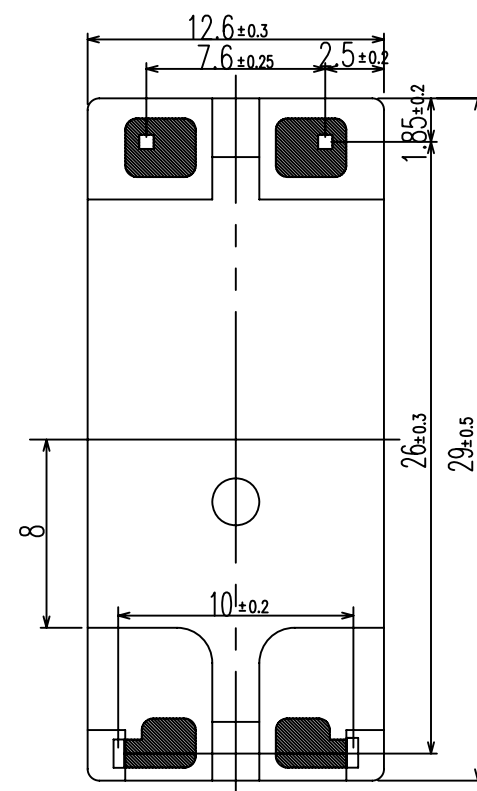
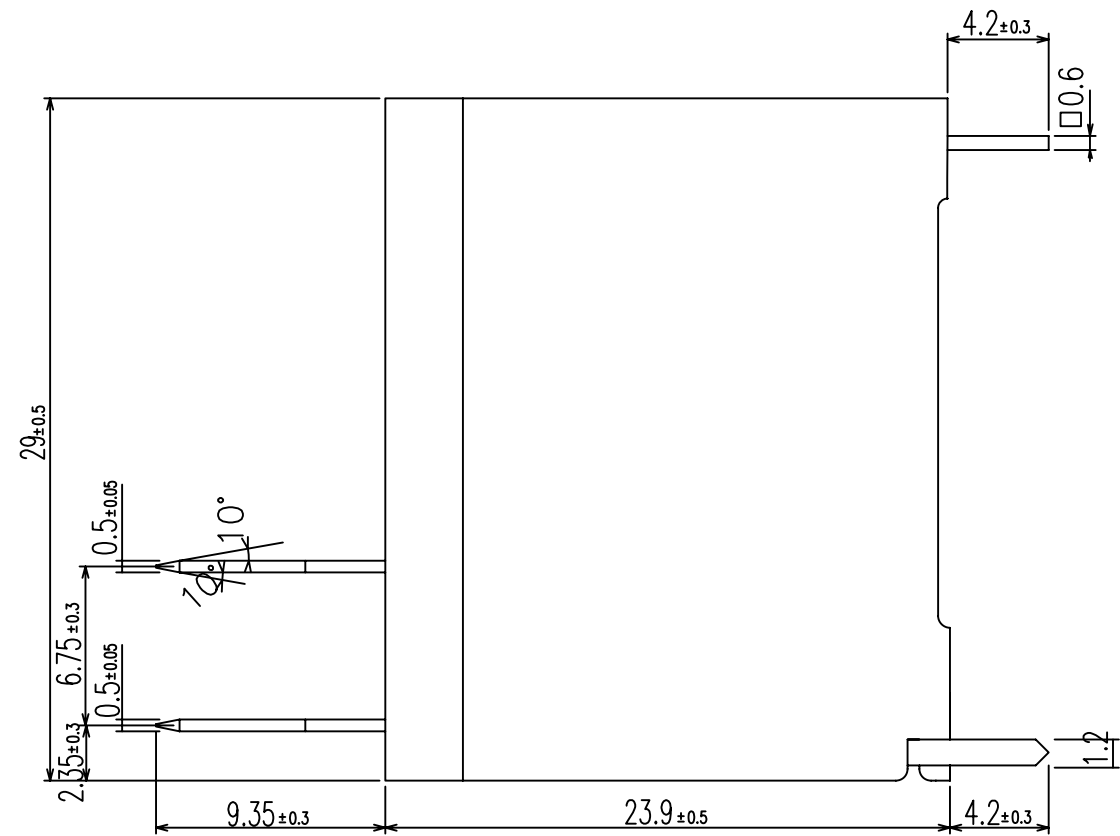


THIS DRAWING IS UNPUBLISHED. RELEASED FOR PUBLICATION
 © COPYRIGHT BY TYCO ELECTRONICS CORPORATION. ALL RIGHTS RESERVED.

LOC	HB	DIST	REVISIONS						
			P	LTR	DESCRIPTION	ECN	DATE	DWN	APVD
			A		RELEASE	FK00-0054-04	15-APR-04	H.S	A.N
			B		CHANGE NEW LOGO AND DATE CODE	ECO-08-007865	13-APR-08	CY.Z	BH.Y

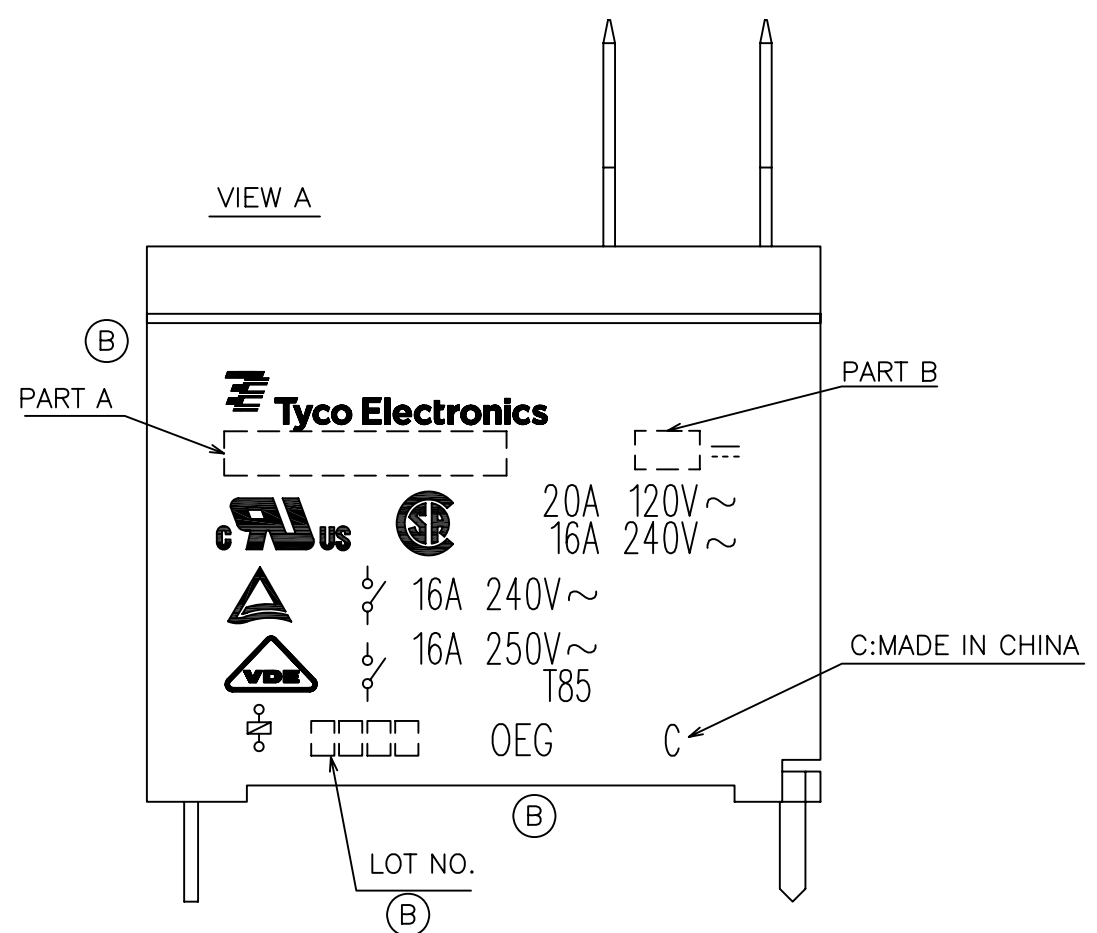


↑ "A"

THIS DRAWING IS A CONTROLLED DOCUMENT FOR TYCO ELECTRONICS CORPORATION IT IS SUBJECT TO CHANGE AND THE CONTROLLING ENGINEERING ORGANIZATION SHOULD BE CONTACTED FOR THE LATEST REVISION.		DWN	H.SASAKI		Tyco Electronics Corporation ShenZhen, China
DIMENSIONS: mm		CHK	Y.OIKAWA		
		APVD	A.NAGAI		NAME
TOLERANCES UNLESS OTHERWISE SPECIFIED: 0 PLC ± 1 PLC ± 2 PLC ± 3 PLC ± 4 PLC ± ANGLES ±		PRODUCT SPEC			OZF CUSTOMER DRAWING
MATERIAL		APPLICATION SPEC			
FINISH		WEIGHT	SIZE	CAGE CODE	DRAWING NO
		CUSTOMER DRAWING	A3	00779	1461390
		SCALE	3:1	SHEET	1 OF 2
		REV	B		RESTRICTED TO

THIS DRAWING IS UNPUBLISHED. RELEASED FOR PUBLICATION
 © COPYRIGHT BY TYCO ELECTRONICS CORPORATION. ALL RIGHTS RESERVED.

LOC	DIST	REVISIONS						
		P	LTR	DESCRIPTION	ECN	DATE	DWN	APVD

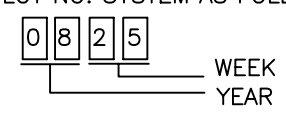


4-1440002-3	OZF-S-148LM1P	48V	OZF-S-148LM1P	f
4-1440002-2	OZF-S-124LM1P	24V	OZF-S-124LM1P	e
4-1440002-1	OZF-S-112DM1P	12V	OZF-S-112DM1P	d
1461390-1	OZF-S-109LM1P	9V	OZF-S-109LM1P	c
1461390-2	OZF-S-106LM1P	6V	OZF-S-106LM1P	b
3-1440002-9	OZF-S-105LM1P	5V	OZF-S-105LM1P	a
PART NO	DESCRIPTION	PART B	PART A	ITEM

RELAY TYPE

		EPOXY RESIN	SEAL	16
	SOLDER DIP	Cu ALLOY	DUMMY TERMINAL	15
UL94 V-0		PBT	CASE	14
CLASS E		UEW	MAGNETIC WIRE	13
UL94 V-0		PET	BASE	12
UL94 V-0		PBT	BOBBIN	11
	SOLDER DIP	CP WIRE	COIL TERMINAL	10
UL94 V-0		PPS	CARD	9
		Ag ALLOY	MOVABLE CONTACT	8
		Ag ALLOY	STATIONARY CONTACT	7
		Cu ALLOY	STATIONARY TERMINAL	6
		Cu ALLOY	MOVABLE SPRING	5
		Cu ALLOY	MOVABLE TERMINAL	4
	Ni PLATED	STEEL	CORE	3
	Ni PLATED	STEEL	ARMATURE	2
	Ni PLATED	STEEL	YOKE	1
INCOMBUSTIBILITY	TREATMENT	MATERIAL	DESCRIPTION	ITEM

NOTES:
 1.LOT NO. SYSTEM AS FOLLOWING:



2.GENERAL TOLERANCE AS FOLLOWING:

TOLERANCE	
0~0.99mm	±0.1
1mm~2.99mm	±0.2
3mm MIN.	±0.3

3.TERMINAL DIMENSION IS NOT INCLUDING SOLDER TIP.

THIS DRAWING IS A CONTROLLED DOCUMENT FOR TYCO ELECTRONICS CORPORATION IT IS SUBJECT TO CHANGE AND THE CONTROLLING ENGINEERING ORGANIZATION SHOULD BE CONTACTED FOR THE LATEST REVISION.		DWN	Tyco Electronics Corporation ShenZhen, China		
DIMENSIONS: mm		CHK			
		APVD	NAME OZF CUSTOMER DRAWING		
TOLERANCES UNLESS OTHERWISE SPECIFIED: 0 PLC ± 1 PLC ± 2 PLC ± 3 PLC ± 4 PLC ± ANGLES ±		PRODUCT SPEC	DRAWING NO 1461390		
MATERIAL		APPLICATION SPEC	SIZE A3	CAGE CODE 00779	RESTRICTED TO
FINISH		WEIGHT	SCALE 3:1 SHEET 2 OF 2 REV B		
		CUSTOMER DRAWING			