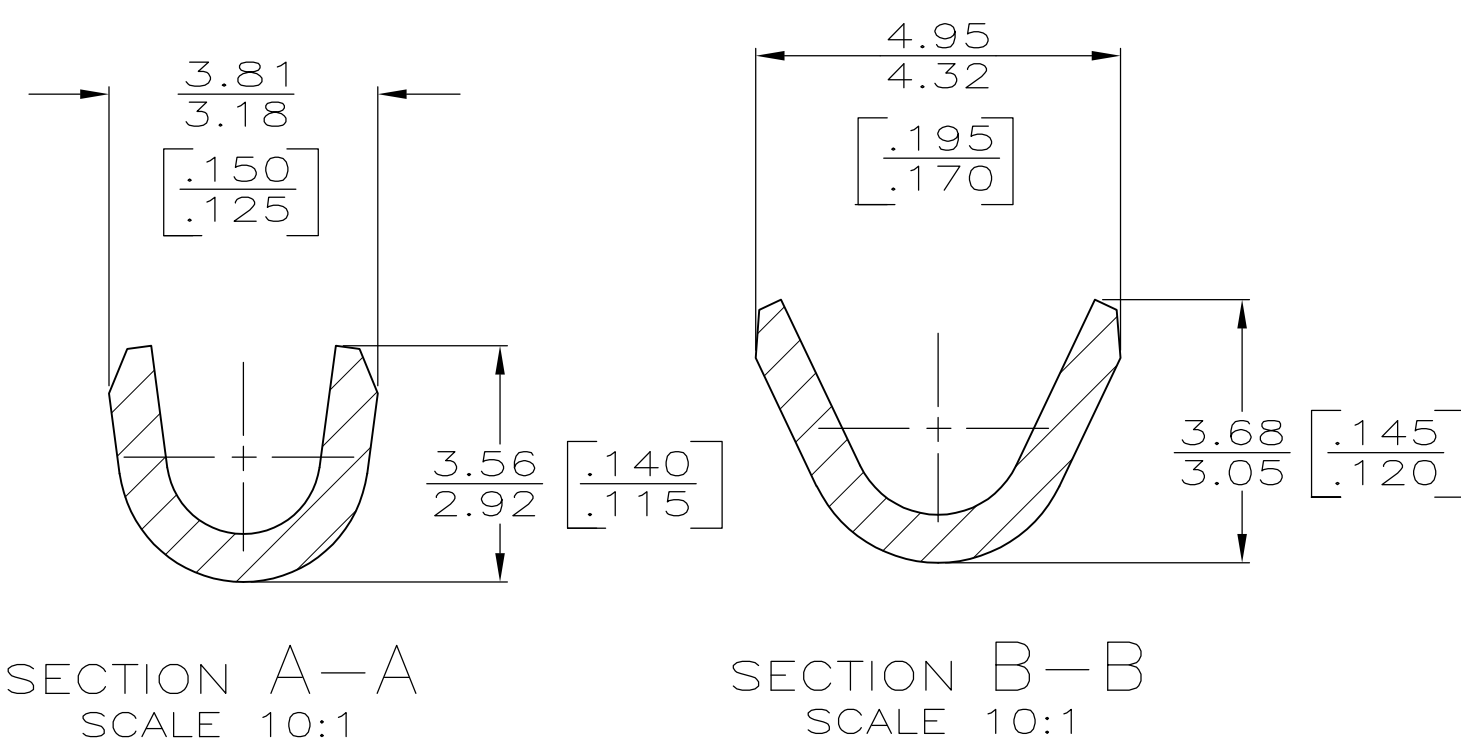
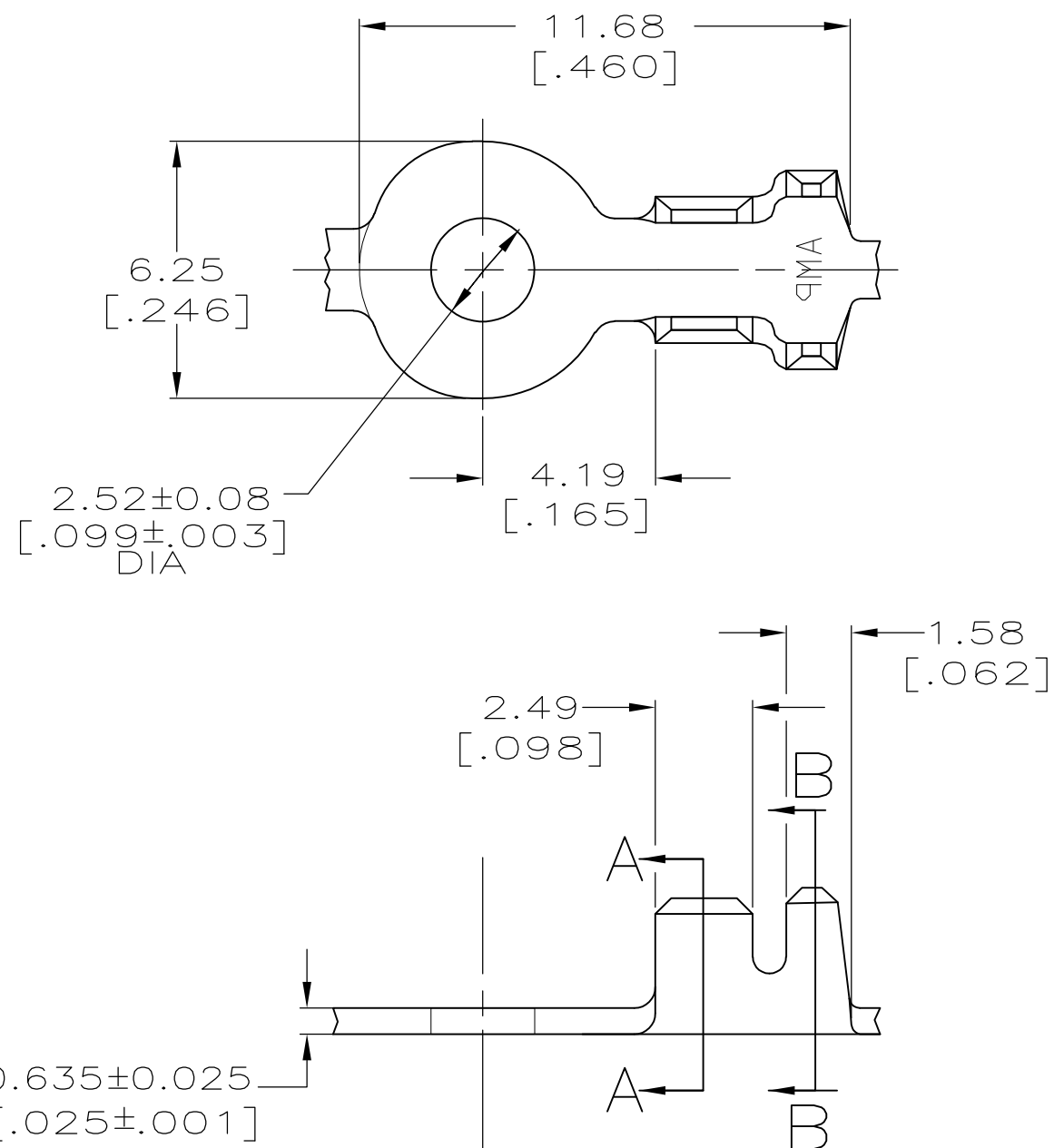


THIS DRAWING IS UNPUBLISHED. RELEASED FOR PUBLICATION

© COPYRIGHT BY TYCO ELECTRONICS CORPORATION. ALL INTERNATIONAL RIGHTS RESERVED.

LOC AF	DIST 50	REVISIONS			
P	LTR	DESCRIPTION	DATE	DWN	APVD
	P	REVISED PER ECR-10-006099	07JUL10	HMR	PD

1. CONTINUOUS STRIP ON REEL.



TIN	1.90-2.79 DIA [20-16] AWG	41406-1
-	[.075-.110]	41406
FINISH	INSULATION RANGE	WIRE RANGE
		PART NO

THIS DRAWING IS A CONTROLLED DOCUMENT.		DWN 06/JUL/95 PHILLIP M FORTNEY	Tyco Electronics Corporation Harrisburg, PA 17105-3608	
DIMENSIONS: mm [INCHES]		CHK 06/JUL/95 MICHAEL S FEHER	NAME	
TOLERANCES UNLESS OTHERWISE SPECIFIED:		APVD 06/JUL/95 GARY YETTER	RING	
0 PLC ± -		PRODUCT SPEC	SIZE	
1 PLC ± -		APPLICATION SPEC	CAGE CODE	
2 PLC ± 0.38 [.015]		WEIGHT	DRAWING NO	
3 PLC ± -		-	A3 00779 C-41406	
4 PLC ± -		CUSTOMER DRAWING	RESTRICTED TO	
ANGLES ± -		SCALE	SHEET	
MATERIAL 082 BRASS		FINISH SEE TABLE	1 OF 1	
		SCALE 6:1	REV P	