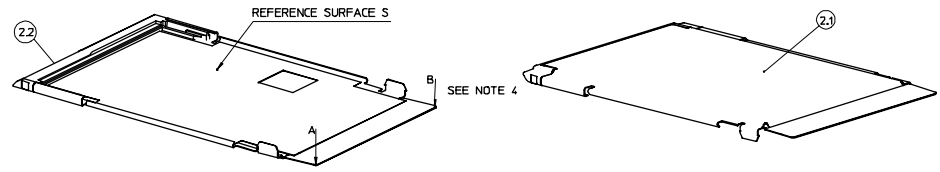
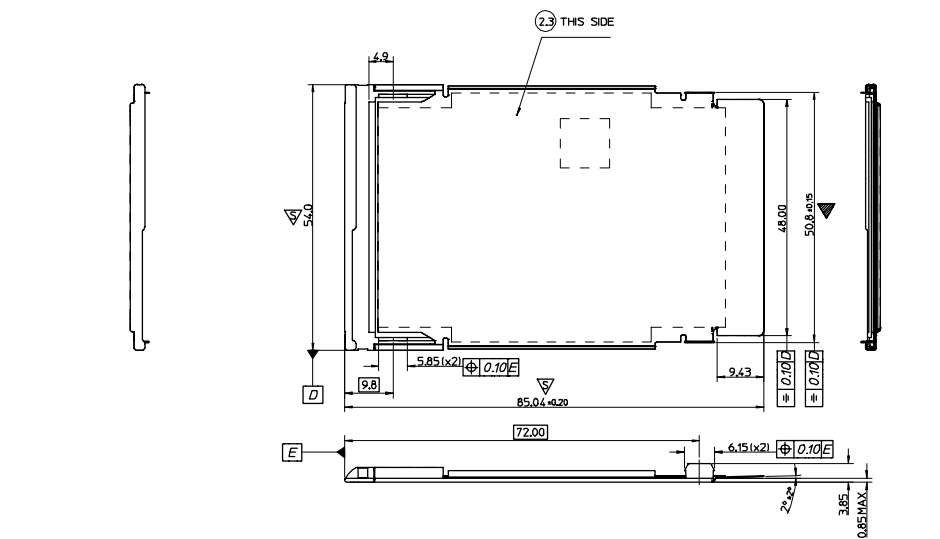


UPPER COVER ASSEMBLY (INSULATION SHEET VISIBLE IN BROKEN LINE)

KIT NO.	SUB ASSEMBLY PART NO.	DESCRIPTION	ITEM	COMPONENTS	DESCRIPTION	ASSY. ITEM
91358-0001 (91358-0002 WITH WINDOW)	91386-0001 (91386-0004 WITH WINDOW)	UPPER COVER	1	UPPER METAL COVER	0.2 THICK STAINLESS STEEL	1.1
				PLASTIC FLAP	PC/ABS, COLOUR GREY	1.2
				INSULATION	ADHESIVE TAPE	1.3
	91387-0006	LOWER COVER	2	LOWER METAL COVER WITH BARBS	0.2 THICK STAINLESS STEEL	2.1
				FRONT MOULD	PC/ABS, COLOUR GREY	2.2
				INSULATION	ADHESIVE TAPE	2.3

NOTES:

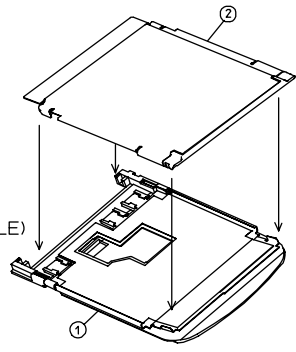
- SEE APPLICATION SPECIFICATION AS-91358-021 FOR ASSEMBLY INSTRUCTIONS AND ACCESSORY PART NUMBERS.
- SEE PRODUCT SPECIFICATION PS-91358-020 FOR PRODUCT PERFORMANCE.
- PARTS PACKED IN TRAYS.
- HEIGHT DIFFERENCE BETWEEN POINT A AND B 0.20MM MAX. ▼



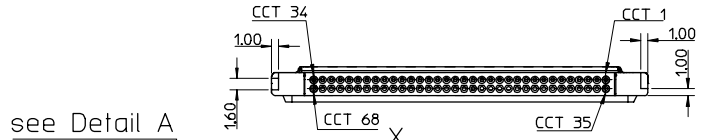
LOWER COVER ASSEMBLY

(INSULATION SHEET VISIBLE IN BROKEN LINE)

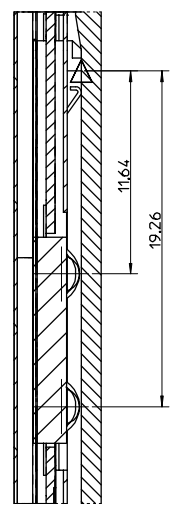
ASSEMBLY DIRECTION
(PCB ASSEMBLY NOT VISIBLE)



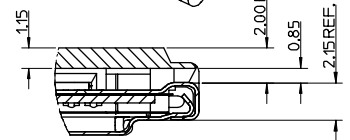
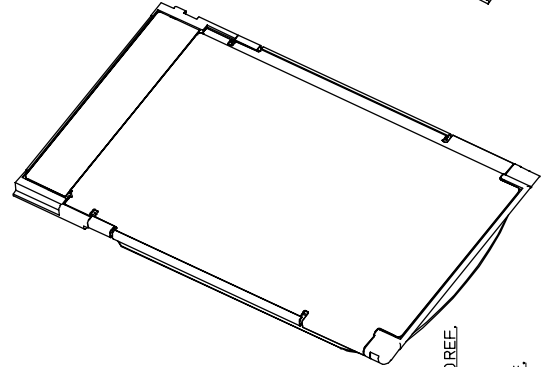
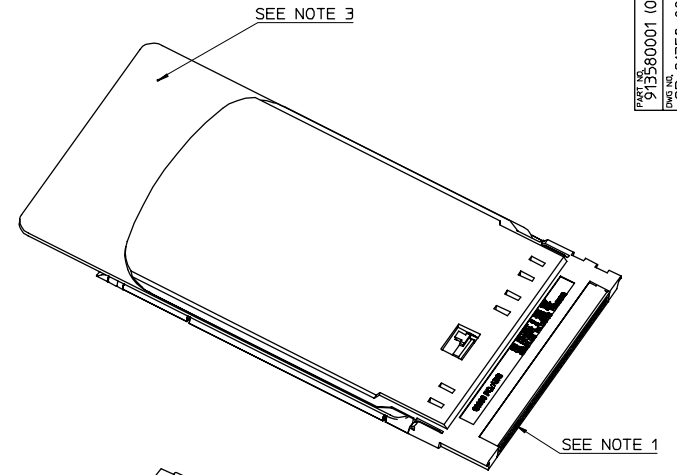
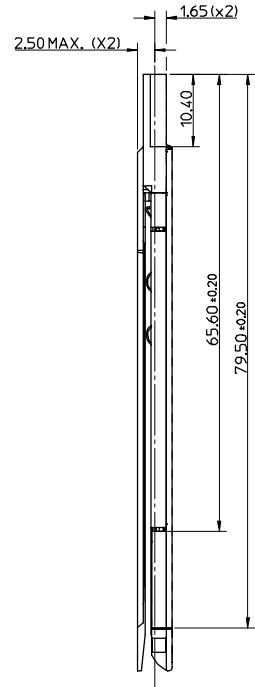
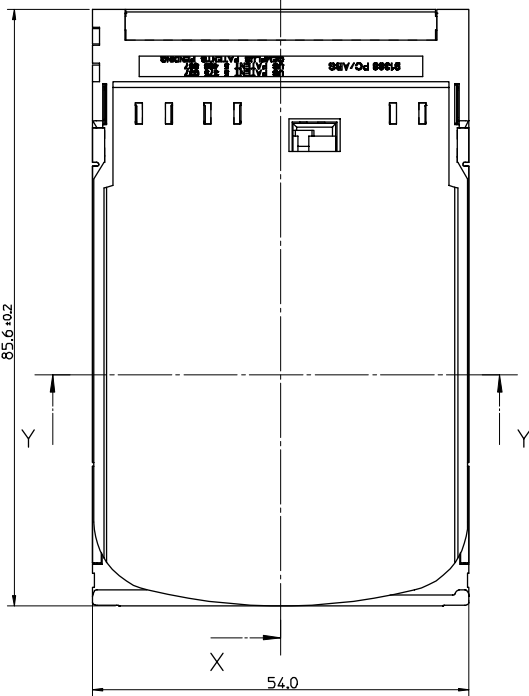
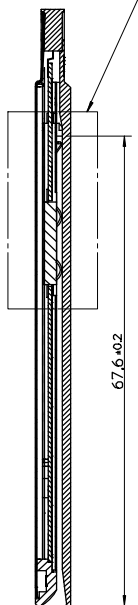
VARIOUS MOODS EC NO. E2003-0510 DRWN: FDUGGAN 02/11/14 CHK: --- APPR: ---	QUALITY SYMBOLS	GENERAL TOLERANCES: (UNLESS SPECIFIED)	DESIGN UNITS	THIRD ANGLE PROJECTION	DIMENSIONS:	SHT	REV
	MAJOR	mm INCH	mm INCH	mm INCH	mm INCH	mm INCH	mm INCH
	CRITICAL	4 PLACES	3 PLACES	2 PLACES	1 PLACE	ANGULAR: ± 1°	DRAFT WHERE APPLICABLE MUST REMAIN WITHIN DIMENSIONS
	MINOR	3	0	4			
	DRAWN BY & DATE	CHECKED BY & DATE	APPROVED BY & DATE	CAD FILENAME	MATERIAL NO.	DRAWING NO.	SHEET NO.
	fduggan 2003/01/28	P.WHITE 7/7/99	M.WILHITE 7/7/99		SEE CHART	SD-91358-002	1 of 2
	TITLE: SDM KIT				MOLEX INCORPORATED		
	THIS DRAWING CONTAINS INFORMATION THAT IS PROPRIETARY TO MOLEX INCORPORATED AND SHOULD NOT BE USED WITHOUT WRITTEN PERMISSION.				SIZE D		



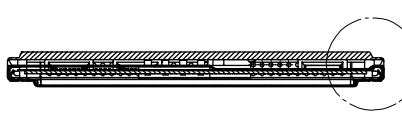
see Detail A



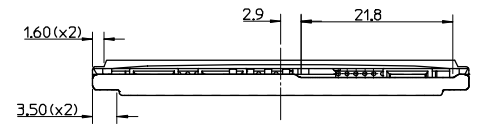
Detail A
Scale 5:1



Detail B
SNAPPING FEATURE
Scale 5:1



see Detail B



NOTES:

1. SEE APPLICATION SPECIFICATION AS-91358-021 FOR ASSEMBLY INSTRUCTIONS AND ACCESSORY PART NUMBERS.
2. SEE PRODUCT SPECIFICATION PS-91358-020 FOR PRODUCT PERFORMANCE.
3. CARD PROTRUDES 18mm OUT OF UNIT

SEE SHEET 1	QUALITY SYMBOLS MAJOR ▲ = 0 CRITICAL ▽ = 0 ANGULAR: ± 1°	GENERAL TOLERANCES: (UNLESS SPECIFIED)		SCALE 2:1	DESIGN UNITS <input checked="" type="checkbox"/> mm <input type="checkbox"/> INCH	THIRD ANGLE PROJECTION	DIMENSIONS: <input type="checkbox"/> mm <input type="checkbox"/> INCH <input checked="" type="checkbox"/> mm ONLY	SHT	REV
		4 PLACES 3 PLACES 2 PLACES 1 PLACE	---	---	---	---	---	---	---
EC NO. DRWN: FDUGGAN 02/11/14 CHK: APPR:	DESCRIPTION	DRAWN BY & DATE fduggan 2003/01/28		CHECKED BY & DATE P.WHITE 7/7/99		TITLE: SDM KIT (FULLY ASSEMBLED)			
LL	REV	APPROVED BY & DATE M.WILHITE 7/7/99		CAD FILENAME		MATERIAL NO. SEE CHART		DRAWING NO. SD-91358-002	SHEET NO. 2 of 2
DRAFT WHERE APPLICABLE MUST REMAIN WITHIN DIMENSIONS								THIS DRAWING CONTAINS INFORMATION THAT IS PROPRIETARY TO MOLEX INCORPORATED AND SHOULD NOT BE USED WITHOUT WRITTEN PERMISSION.	