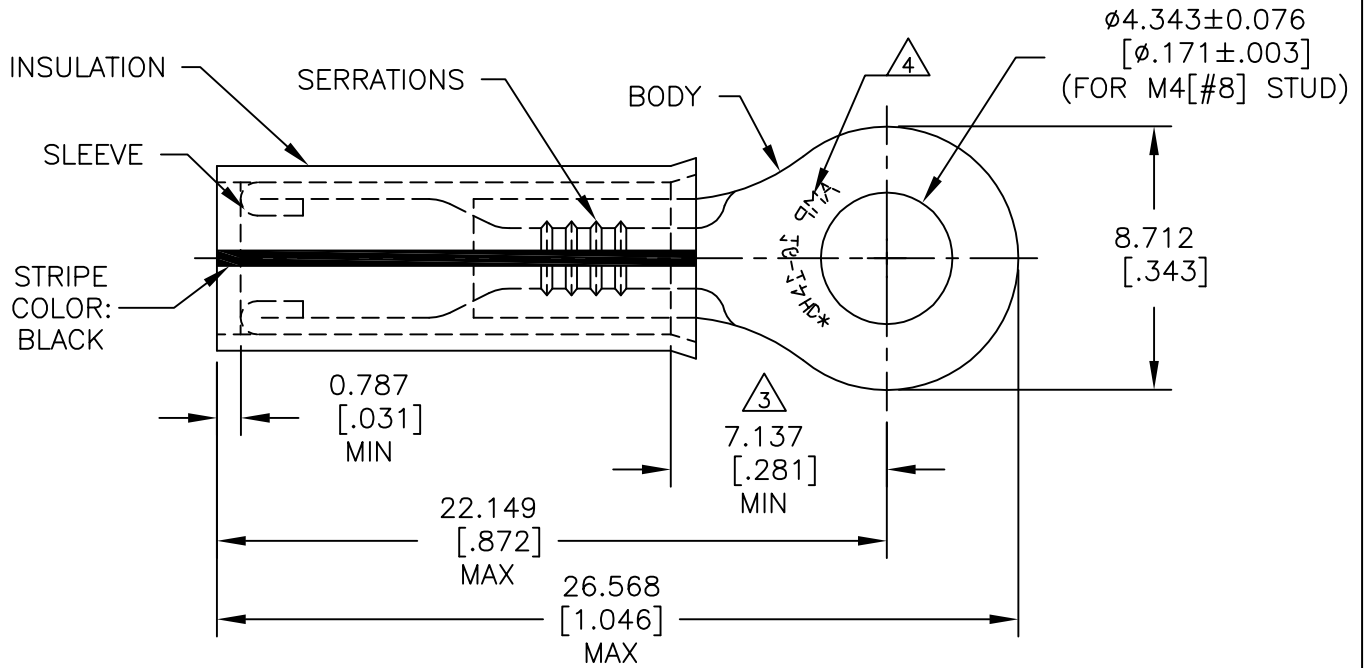


REVISIONS					
P	LTR	DESCRIPTION	DATE	DWN	APVD
	H1	REDRAWN PER ECO-17-007400	12DEC2017	RS	DR

<b>AMP</b> WIRE RANGE	Listed FILE E13288	LR7189 Certified
16-14 AWG SOLID OR STRANDED	16-14 AWG SOLID OR STRANDED	16-14 AWG SOLID OR STRANDED



1 FOR  $\phi 3.810[\phi.150]$  TO  $\phi 5.842[\phi.230]$  WIRE INSULATION.

2 BODY MATERIAL THICKNESS:  $1.219\pm 0.051[.048\pm.002]$

APPLIES FROM EDGE OF METAL WIRE BARREL TO CENTER OF STUD HOLE.

STAMP AMP 16-14\* APPROX AS SHOWN.

MATERIAL:  
BODY & SLEEVE: COPPER PER ASTM B152  
INSULATION: NYLON PER ASTM D4066, TYPE I.

FINISH:  
BODY & SLEEVE: TIN PLATE PER ASTM B545  
INSULATION: COLOR-YELLOW.

2500	ON TAPE	1-320627-0
500	LOOSE PIECE	320627
QTY.	PACKAGE TYPE	PART NO.

RELEASED FOR PUBLICATION

ALL RIGHTS RESERVED.

COPYRIGHT - TE Connectivity Ltd.

THIS DRAWING IS UNPUBLISHED.

DIMENSIONS: mm [INCHES]	DWN RAVI S	12DEC2017	MATERIAL		FINISH	
	CHK ROHDE DANIEL F	12DEC2017	TE Connectivity NAME WIRE TERMINAL, P.I.D.G-RING TONGUE, WIRE SIZE: 16-14 AWG HD			
TOLERANCES UNLESS OTHERWISE SPECIFIED:	APVD ROHDE DANIEL F	12DEC2017				
0 PLC ± -	PRODUCT SPEC	UL 486 A-B	SIZE	CAGE CODE	DRAWING NO	RESTRICTED TO
1 PLC ± -	APPLICATION SPEC	114-2157	A4	00779	C= 320627	-
2 PLC ± -	WEIGHT	-	CUSTOMER DRAWING			
3 PLC ± 0.127[.005]			SCALE	4:1	SHEET	1 OF 1
4 PLC ± -					REV	H1
ANGLES ± -						