

1

2

3

4

5

6

A

B

C

D

E

F

A

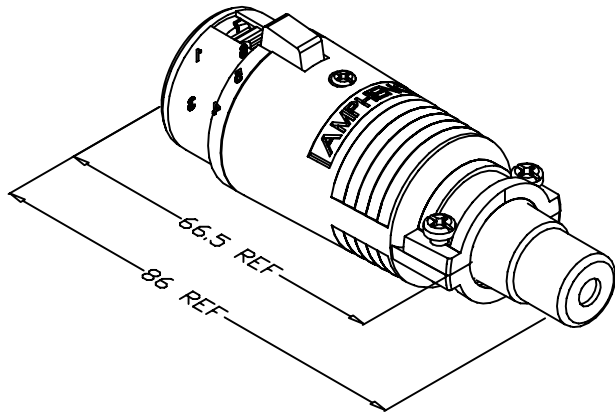
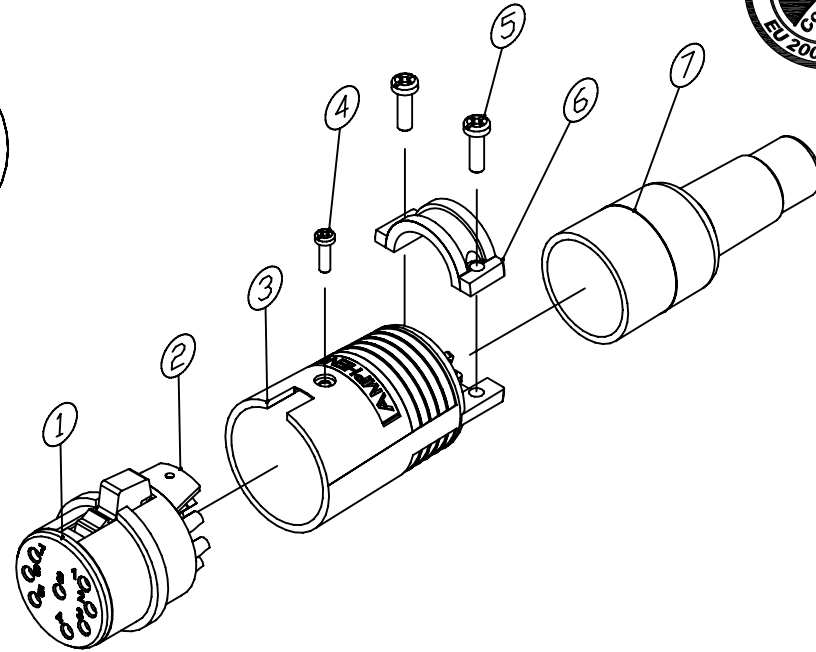
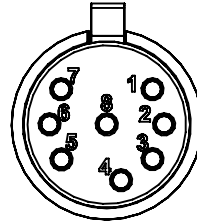
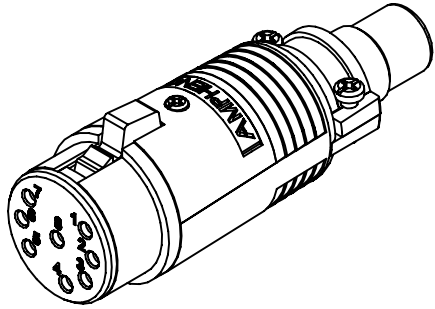
B

C

D

E

F



NOTE: 1. FOR EXAMPLE: FOR AN EP-8-11P USE ASSY No. 128199-0008

EP-*--11P TYPE	EP/AP INSERT P/N
EP - 3 - 11P	156-4401-003
EP - 4 - 11P	156-4401-004
EP - 5 - 11P	156-4401-005
EP - 6 - 11P	156-4401-006
EP - 8 - 11P	156-4401-008

ITEM	PART No.	DWG No.	DESCRIPTION	QTY
7	012-4026-00*	012-4026-00*	EP BUSHING	1
6	026-4016-000	026-4016-000	EP 11 & 12 CLAMP	1
5	990-4094-000	990-4094-000	CABLE CLAMP SCREW FOR EP	2
4	990-4400-000	990-4400-000	2-32 PAN HEAD SCREW	1
3	248-4108-000	248-4108-000	EP 11 SHELL, LONG VERSION	1
2	011-4400-000	011-4400-000	EP BARREL	1
1	SEE TABLE	SEE TABLE	EP SOCKET INSULATOR ASSY	1

UNLESS OTHERWISE SPECIFIED TOLERANCE TO BE	
LINEAR	ANGULAR
X ± 0.5	X' ± 1°
X.X ± 0.1	X'X' ± 30'
X.XX ± 0.05	X'X'X' ± 15'

BREAK ALL SHARP EDGES AND REMOVE ALL BURRS

DO NOT SCALE

DIMENSIONS IN MILLIMETRES

THIS DOCUMENT IS THE PROPERTY OF AMPHENOL AUSTRALIA PTY. LTD.. NO PART THEREOF MAY BE REPRODUCED AND USED WITHOUT THE PRIOR WRITTEN CONSENT OF THE OWNER

CAD FILE: 00805102

DRN: S.M.D DATE: 07-02-90

CKD: M.H DATE: 19-11-08

APP'D: P.M DATE: 19-11-08

SCALE: 2:1 UOS

THIRD ANGLE PROJECTION

2	OMIT PART NUMBER EP - 2 - 11P PRODUCT OBSOLETE	M.N.H.	19-11-08	8784
1	UPDATE TO AMPHENOL TITLE BLOCK & LOGO REDRAW & ADD BOM	M.N.H.	12-04-01	7783
0	FIRST ISSUE	S.M.D	07-02-90	----
REV.	CHANGE DETAILS	BY	DATE	CHG/No

TITLE: EP-*--11P CUSTOMER DRAWING		Amphenol		
DRAWING NO. 128199-000*		Amphenol Australia Pty.Ltd, 2 Fireweys Blvd, Keysborough, Vic3173		
PART No: SEE TABLE		SHEET 1 OF 1		
SIZE: A3				