

NOTES:

1. MATERIALS AND FINISHES:  
 SMPM STR PLUG - BeCu, BRASS, GOLD PLATING  
 SMPM R/A PLUG - BeCu, BRASS, GOLD PLATING  
 CABLE - 0.047 SEMI-RIGID CONFORMABLE
2. ELECTRICAL:  
 IMPEDANCE: 50 OHM
3. PACKAGING:  
 A. QUANTITY: SINGLE PACK  
 B. MARKING: BAG TO BE MARKED  
 "AMPHENOL RF, 95-725-115-XXX AND DATE CODE"

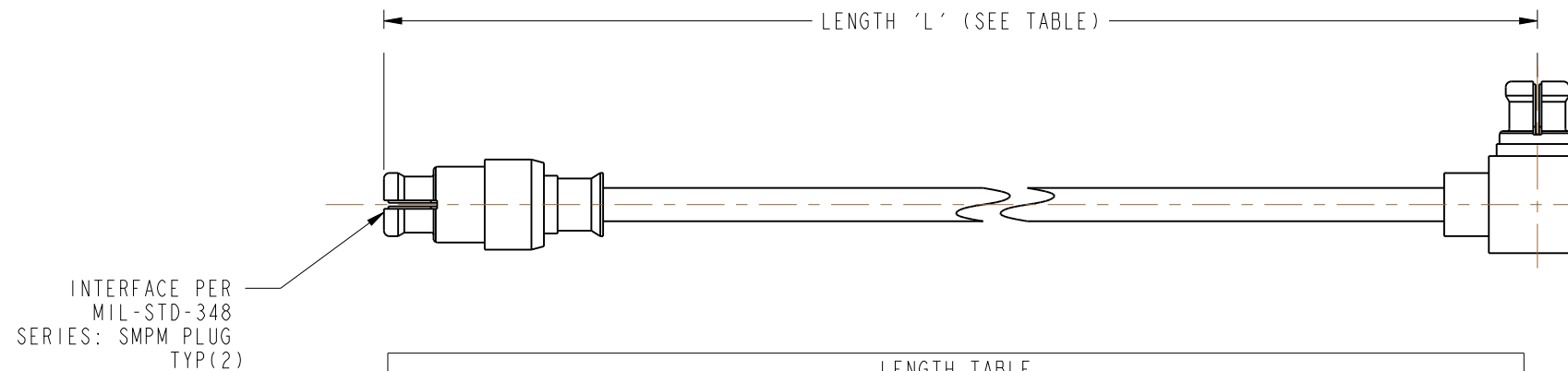
THIRD ANGLE PROJ.

REVISIONS

REV	DESCRIPTION	DATE	ECN	APPR
A	RELEASE TO MFG.	15-Aug-19	12601	EH



SCALE 0.800



LENGTH TABLE			
PART NUMBER (IMPERIAL)	PART NUMBER (METRIC)	LENGTH AND TOLERANCE 'L' IN INCHES [METERS]	LENGTH IN FEET
95-725-115-030	-	3.00 ± 0.25 [0.076 ± 0.006]	0.250
-	95-725-115M010	3.94 ± 0.25 [0.100 ± 0.006]	0.328
95-725-115-040	-	4.00 ± 0.25 [0.102 ± 0.006]	0.333
95-725-115-050	-	5.00 ± 0.25 [0.127 ± 0.006]	0.417
95-725-115-060	-	6.00 ± 0.25 [0.152 ± 0.006]	0.500
95-725-115-070	-	7.00 ± 0.25 [0.178 ± 0.006]	0.583
95-725-115-080	-	8.00 ± 0.25 [0.203 ± 0.006]	0.687
95-725-115-090	-	9.00 ± 0.25 [0.229 ± 0.006]	0.771
-	95-725-115M025	9.84 ± 0.25 [0.250 ± 0.006]	0.820
95-725-115-100	-	10.00 ± 0.25 [0.254 ± 0.006]	0.854
95-725-115-110	-	11.00 ± 0.25 [0.279 ± 0.006]	0.937
95-725-115-120	-	12.00 ± 0.25 [0.305 ± 0.006]	1.000
95-725-115-180	-	18.00 ± 0.25 [0.457 ± 0.006]	1.500
-	95-725-115M050	19.69 ± 0.25 [0.500 ± 0.006]	1.641
95-725-115-240	-	24.00 ± 0.50 [0.610 ± 0.013]	2.000
-	95-725-115M075	29.53 ± 0.50 [0.750 ± 0.013]	2.461
95-725-115-360	-	36.00 ± 0.50 [0.914 ± 0.013]	3.000
-	95-725-115M100	39.37 ± 0.50 [1.000 ± 0.013]	3.281
95-725-115-480	-	48.00 ± 0.50 [1.219 ± 0.013]	4.000
-	95-725-115M200	78.74 ± 1.97 [2.000 ± 0.050]	6.562

TOLERANCE TABLE	
LENGTH IN INCHES/FT [METERS]	TOLERANCE
0" - 23.90" [0 - 0.607]	±0.25" [0.006]
24.00" - 59.00" [0.610 - 1.499]	±0.50" [0.013]
5.0' - 24.9' [1.524 - 7.617]	±2.5%
25.0' & UP [7.620 & UP]	±5.0%

DESIGN REQUIREMENTS

- FREQUENCY: DC TO 18 GHz       CONTINUITY
- VSWR: 1.30 MAX @ DC-10 GHz       HI-POT: 500 VRMS  
 1.50 MAX @ 10-18 GHz
- INS. LOSS: ---- dB MAX       OTHER

UNLESS OTHERWISE SPECIFIED, DIMENSIONS ARE IN METRIC AND TOLERANCES ARE:  
 <0.5mm ±0.05mm    0.5 - 6mm ±0.1mm    6 - 30mm ±0.2mm    30 - 120mm ±0.3mm    ANGLES ±1°

NOTICE - These drawings, specifications, or other data (1) are, and remain the property of Amphenol corp. (2) must be returned upon request; and (3) are confidential and not to be disclosed to any person other than those to whom they are given by Amphenol Corp. the furnishing of these drawings, specifications, or other data by Amphenol Corp., or to any other person to anyone for any purpose is not to be regarded by implication or otherwise in any manner licensing, granting rights to permitting such holder or any other person to manufacture, use or sell any product, process or design, patented or otherwise, that may in any way be related to or disclosed by said drawings, specifications, or other data.

MATERIAL NOTE 1	DRAWN E. HILL	DATE 23-Jul-18	TITLE SMPM STR PLUG TO SMPM R/A PLUG USING 0.047 SEMI-RIGID CONFORMABLE CABLE, VARIOUS LENGTHS
REFERENCE EAR# 8504	ENGINEER E. HILL	DATE 23-Jul-18	SCALE: 4.0:1.0 SHEET 2 OF 2
REF: 95-725-112-XXX	APPROVED K. CAPOZZI	DATE 15-Aug-19	DWG SIZE B
CONFIGURATION LEVEL: In Work	CAD FILE		REV A
FINISH			

**CUSTOMER OUTLINE DRAWING**  
 ALL OTHER SHEETS ARE FOR INTERNAL USE ONLY

Amphenol RF

www.amphenolrf.com

DRAWING NO. 95-725-115-XXX

ITEM NO. 95-725-115-XXX

PART NO. 95-725-115-XXX