

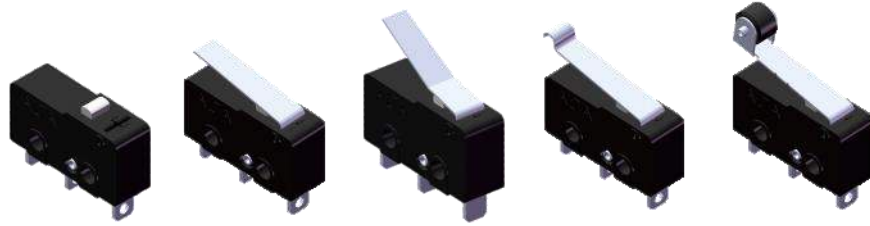
## SAJ2 Series – Snap Action Switches

### Applications

- Home Appliances
- Communication equipment
- Security
- Electronic equipment
- Printers

### Features

- Sub-miniature microswitch conforming to UL.
- PCB terminal models are resistant to flux.
- Highly reliable with long operating life.



TE Connectivity SAJ2 Series of Sub-miniature Snap Action Switches offer flexibility through various combinations of lever styles. These switches are designed to convert a mechanical action in an electrical one. This makes them very suitable for applications such as Home Appliances, Computer Peripherals, Factory Automation as well as other domestic and industrial uses.

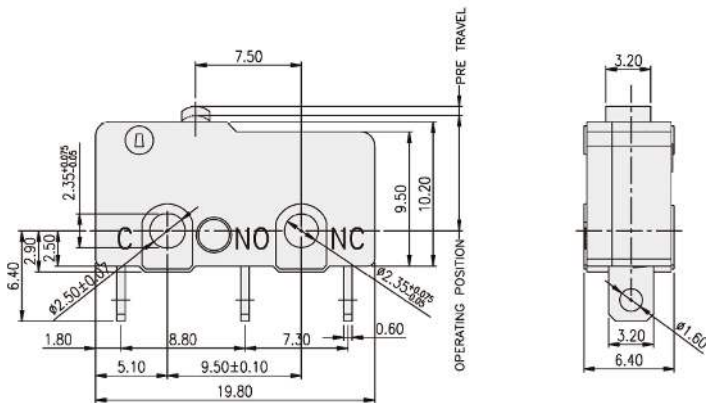
TE's Snap Action switches are dimensionally identical with other popular brands, making them extremely suitable for use in existing designs. They are available with various contact styles to aid flexibility

### Characteristics – Electrical

Contact Rating	5A at 125VAC/3A at 250VAC 3A at 30VDC
Mechanical Durability	10,000,000 cycles min.
Electrical Durability	10,000 cycles min.
Contact Resistance	50mΩ MAX.
Insulation Resistance	100M Ω MIN.
Dielectric Strength	Between terminals of same polarity AC 1000V 1 minute
	Between current-carrying metal parts and ground AC 1500 V 1 minute
	Between each terminal and non-current- carrying metal part AC 1500V 1 minute
Operating Temp.	-40°C - +75°C

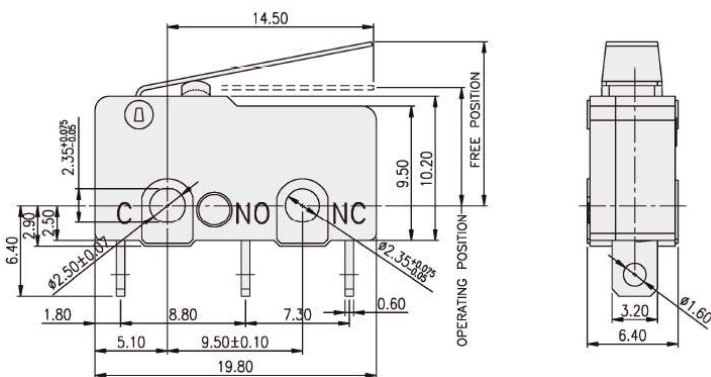
## Mechanical Measurements

TE Smart Part Number: SAJ25YXPP0147SDTSEQ



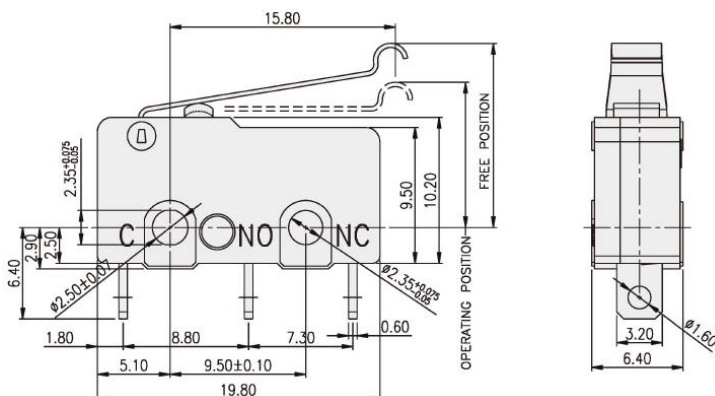
Operation Characteristics	
Operating Force (OF)	150gf (1.47N) MAX.
Release Force (RF)	25gf (0.25N) MIN.
Pretravel (PT)	0.50mm MAX.
Overtravel (OT)	0.50mm MIN.
Movement Differential (MD)	0.10mm MAX.
Operating Position (OP)	8.4 ± 0.5 mm
Free Position (FP)	12mm MAX.

TE Smart Part Number: SAJ25YXHL0147SDTSEQ



Operation Characteristics	
Operating Force (OF)	50gf (0.49N) MAX.
Release Force (RF)	60gf (0.06N) MIN.
Overtravel (OT)	1.20mm MIN.
Movement Differential (MD)	0.80mm MAX.
Operating Position (OP)	8.8 ± 0.8 mm
Free Position (FP)	12mm MAX.

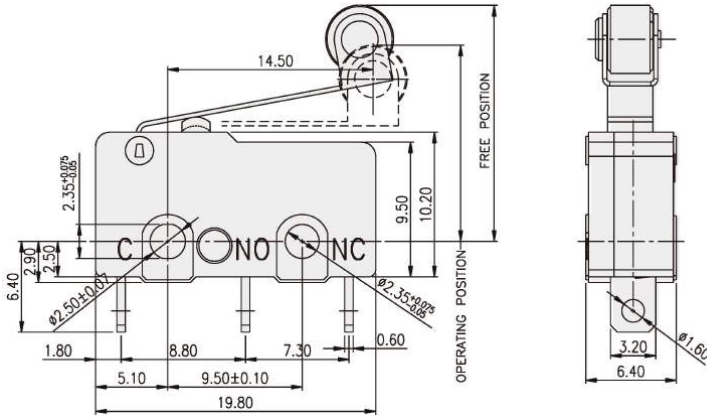
TE Smart Part Number: SAJ25YXRHL147SDTSEQ



Operation Characteristics	
Operating Force (OF)	50gf (0.49N) MAX.
Release Force (RF)	60gf (0.06N) MIN.
Overtravel (OT)	1.20mm MIN.
Movement Differential (MD)	0.80mm MAX.
Operating Position (OP)	10.7 ± 0.8 mm
Free Position (FP)	15.5mm MAX.

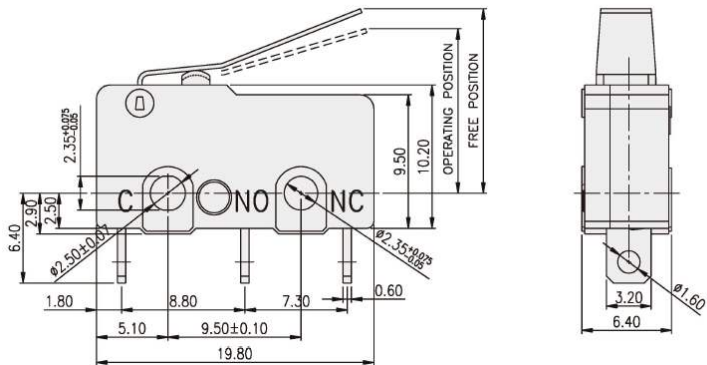
## Mechanical Measurements

TE Smart art Number: SAJ25YXWHL147SDTSEQ



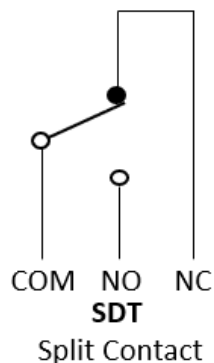
Operation Characteristics	
Operating Force (OF)	50gf (0.49N) MAX.
Release Force (RF)	60gf (0.06N) MIN.
Overtravel (OT)	1.20mm MIN.
Movement Differential (MD)	0.80mm MAX.
Operating Position (OP)	14.5 ± 0.8 mm
Free Position (FP)	19.3mm MAX.

TE Smart Part Number: SAJ25YXUL1147SDTSEQ



Operation Characteristics	
Operating Force (OF)	50gf (0.49N) MAX.
Release Force (RF)	60gf (0.06N) MIN.
Overtravel (OT)	1.20mm MIN.
Movement Differential (MD)	0.80mm MAX.
Operating Position (OP)	12.5 ± 0.8 mm
Free Position (FP)	16mm MAX.

## Circuit



## How to Order

