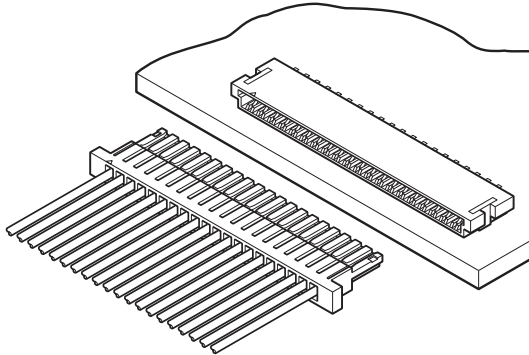


SHL CONNECTOR

1.0 mm pitch/Wire-to-board connector/Disconnectable Crimp style connectors



This is an ultra-thin 1.0 mm pitch wire-to-board connector for thinner and smaller devices, with a mounting height of 1.8 mm for the normal type and 1.4 mm for the offset type.

- Ultra-thin design
- Low insertion force
(excellent mating workability)
- Resistance to mating/unmating operation with prying

Standards

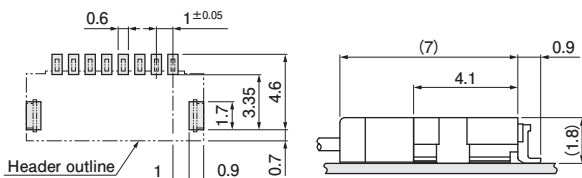
☑ :Recognized E 60389

Specifications

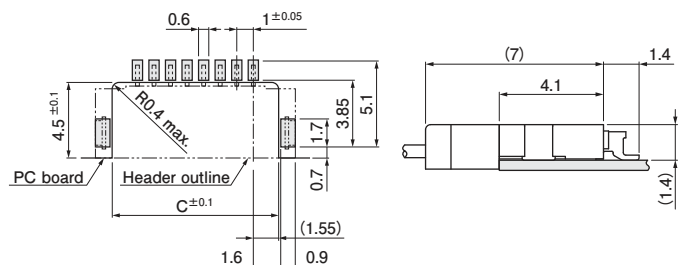
- Current rating: 1.0 A AC/DC (AWG #28)
- Voltage rating: 50 V AC/DC
- Temperature range: -25°C to +85°C
(including temperature rise in applying electrical current)
- Contact resistance:
 - Initial value/ 20 mΩ max.
 - After environmental tests/ 40 mΩ max.
- Insulation resistance: 100 MΩ min.
- Withstanding voltage:
 - There shall be no breakdown or flashover while applying 500 VAC for one minute.
- Applicable wire range:
 - Conductor size/ AWG #32 to AWG #28
 - Insulation O.D. / φ 0.4 mm to φ 0.8 mm
- * In using the products, refer to "Handling Precautions for Terminals and Connectors" described on our website (Technical documents of Product information page).
- * RoHS2 compliance
- * Dimensional unit: mm
- * Contact JST for details.

PC board layout and Assembly layout

Normal type



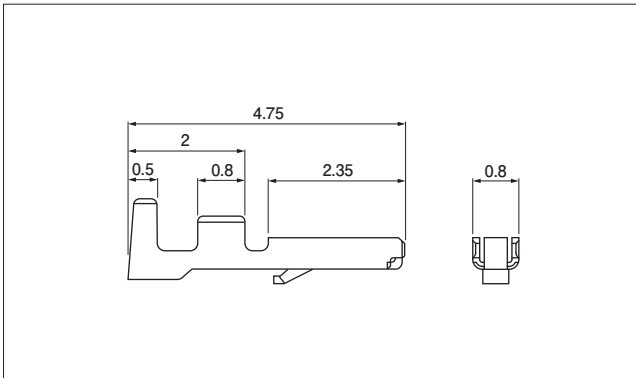
Offset type



- Note: 1. The figure of PC board layout is the figure viewed from the connector mounting side.
 2. Tolerance for the PCB pattern pitch shall be ± 0.05 and shall not accumulate.
 3. Dimension C: Notch width on PCB
 See "Header/ Offset type" section on page 3.
 4. Please contact JST for details as the dimensions shown in the above figure are reference values.

SHL CONNECTOR

Contact



Model No.	Applicable wire range		Q'ty/ reel
	Conductor size AWG (mm ²)	Insulation O.D. (mm)	
SSHL-003T-P0.2	#32 to #28 (0.032 to 0.08)	0.4 to 0.8	41,000

Material and Finish

Phosphor bronze, tin-plated

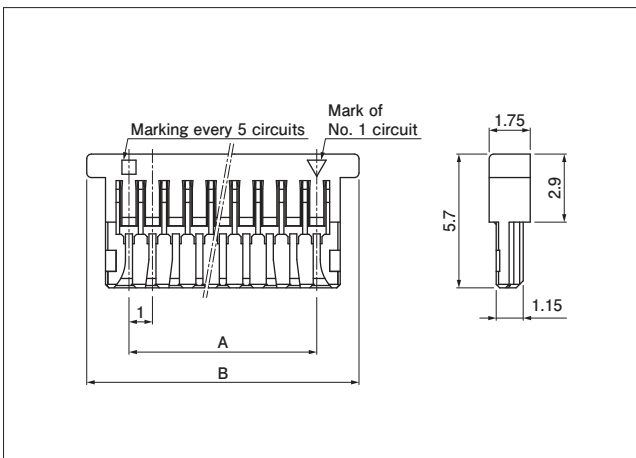
Note: Contact JST for gold-plated products.

Crimping machine

Contact	Crimping machine	Applicator	Crimp applicator with dies
SSHL-003T-P0.2	AP-K2N	MKS-L-10-3	APLMK SSH/L003-02

Note: Contact JST for fully automatic crimping applicator.

Socket housing



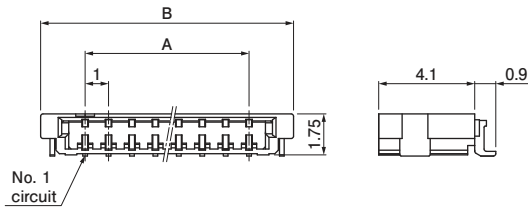
No. of circuits	Model No.	Dimensions (mm)		Q'ty/box
		A	B	
2	SHLP-02V-S-B	1.0	4.6	6,000
5	SHLP-05V-S-B	4.0	7.6	3,000
6	SHLP-06V-S-B	5.0	8.6	3,000
7	SHLP-07V-S-B	6.0	9.6	3,000
8	SHLP-08V-S-B	7.0	10.6	3,000
10	SHLP-10V-S-B	9.0	12.6	2,000
11	SHLP-11V-S-B	10.0	13.6	2,000
12	SHLP-12V-S-B	11.0	14.6	2,000
14	SHLP-14V-S-B	13.0	16.6	2,000
16	SHLP-16V-S-B	15.0	18.6	1,000
20	SHLP-20V-S-B	19.0	22.6	1,000
22	SHLP-22V-S-B	21.0	24.6	1,000
26	SHLP-26V-S-B	25.0	28.6	1,000
30	SHLP-30V-S-B	29.0	32.6	1,000

Material and Finish

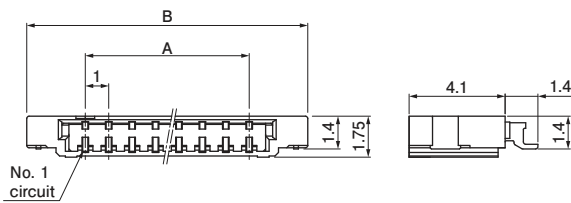
PBT, UL94V-0, natural (white)

Header

Normal type



Offset type



Normal type

No. of circuits	Model No.	Dimensions (mm)		Q'ty/reel
		A	B	
2	SM02B-SHLS-TF	1.0	4.8	4,500
5	SM05B-SHLS-TF	4.0	7.8	4,500
6	SM06B-SHLS-TF	5.0	8.8	4,500
7	SM07B-SHLS-TF	6.0	9.8	4,500
8	SM08B-SHLS-TF	7.0	10.8	4,500
10	SM10B-SHLS-TF	9.0	12.8	4,500
11	SM11B-SHLS-TF	10.0	13.8	4,500
12	SM12B-SHLS-TF	11.0	14.8	4,500
14	SM14B-SHLS-TF	13.0	16.8	4,500
16	SM16B-SHLS-TF	15.0	18.8	4,500
20	SM20B-SHLS-TF	19.0	22.8	4,500
22	SM22B-SHLS-TF	21.0	24.8	4,500
26	SM26B-SHLS-TF	25.0	28.8	4,500
30	SM30B-SHLS-TF	29.0	32.8	4,500

Material and Finish

Base contact: Phosphor bronze, copper-undercoated, tin-plated
 Wafer: PA, UL94V-0, natural (ivory)
 Solder tab: Brass, copper-undercoated, tin-plated

- Note: 1. This product displays (LF)(SN) on a label.
 2. Contact JST for gold-plated products.

Offset type

No. of circuits	Model No.	Dimensions (mm)			Q'ty/reel
		A	B	C	
8	SM08B-SHLS-1-TF	7.0	12.0	10.1	4,500
20	SM20B-SHLS-1-TF	19.0	24.0	22.1	4,500

Material and Finish

Base contact: Phosphor bronze, copper-undercoated, tin-plated
 Wafer: PA, UL94V-0, natural (ivory)
 Solder tab: Brass, copper-undercoated, tin-plated

- Note: 1. This product displays (LF)(SN) on a label.
 2. Dimension C: Notch width on PCB
 See "PC board layout/ Offset type" section on page 1.
 3. Contact JST for gold-plated products.

SHL CONNECTOR

Model number allocation

Contact

S SHL - 003 T - P 0.2

Supply form: Strip form	S	SHL -	003	T -	P	0.2
Series name						
Applicable wire range: AWG #32 to AWG #28						
Surface finish:						
T...Tin-plated						
GA1...Nickel-undercoated selective gold-plated						
Material: Phosphor bronze						
Applicable contact size						

Socket housing

SHL P - 20 V - S - B

Series name	SHL	P -	20	V -	S -	B
Type: Socket						
No. of circuits						
Flammability: UL94V-0						
Color: Natural (White)						
Supplementary symbol						

Header

SM 20 B-SHLS - ■ - ■ -TF

Header type: SMT side entry type	SM	20	B-SHLS -	■	-	■	-TF
No. of circuits							
Assembly product							
Series name							
Color: Natural (Ivory)							
Surface finish: Blank...Copper-undercoated tin-plated							
G...Nickel-undercoated gold-plated							
Mounting method: Blank...Normal type							
1...Offset type							
Packaging style: Embossed-taping							