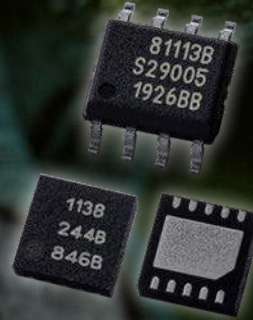


MLX81113

LIN RGB LED DRIVER

**FOR AUTOMOTIVE
AMBIENT LIGHTING**



Chameleons are famous for their quick skin color-changing abilities. They change color in response to environmental changes. We therefore link these wonderful creatures to our LIN RGB products which enable changing ambient light according to the car driver's preference.

SINGLE-CHIP RGB LED CONTROL

Like the chameleon we can set the RGB LED to every possible color.

MLX81113

The MLX81113 IC is a fully integrated low-end LIN slave for ambient light applications in automotive environments to drive via LIN bus RGB LEDs. It is suitable for bus systems according to LIN 2.x as well as SAE J2602.

The combination of a physical layer LIN transceiver and a LIN protocol controller together with current-controlled outputs make it possible to develop in a short timeframe simple, but powerful and cost-efficient ambient light modules connected to LIN bus systems.

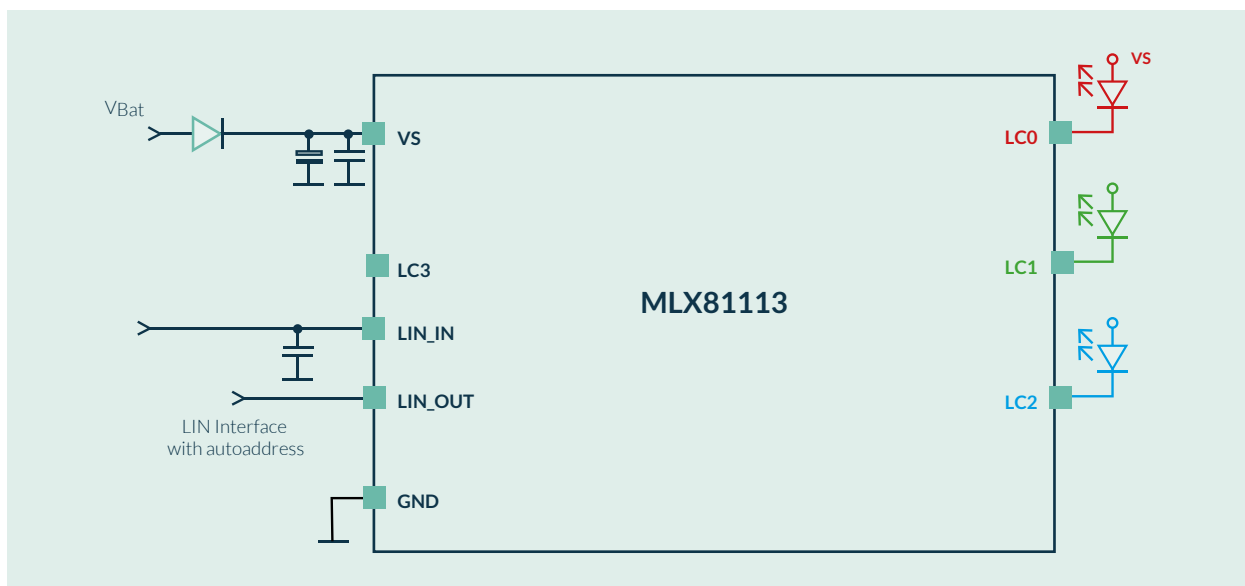
KEY FEATURES

- ✓ 16-bit pipelined RISC microcontroller with
 - 32 kByte Flash
 - System ROM with bootloader and LIN driver
 - 2 kByte RAM
 - 576 Byte EEPROM
- ✓ Math co-processor for 32-bit MUL/DIV operations
- ✓ Watchdog timers with independent clocks
- ✓ Internal RC oscillator
- ✓ LIN protocol controller according to LIN 2.x and SAE J2602
 - Baudrate up to 19.2 kBaud
 - Frame processing
 - Low interrupt load to the application
- ✓ LIN transceiver according to LIN 2.x and SAE J2602
 - Support for autoaddressing according to bus shunt method
- ✓ 4x high voltage I/Os with free configurable current sources (up to 60 mA) for RGB+W
- ✓ Diagnostic capability for connected LED (short, open, threshold)
- ✓ 4x 16-bit PWM outputs
 - Configurable resolution

- ✔ 10 bit ADC with DMA
 - Multiple channels (outputs, VS, temperature sensor, IOs)
 - Different reference voltages
 - Differential as well as single-ended measurement capability
 - DMA access
- ✔ Low standby current consumption of typ. 25 μA (max 50 μA) in sleep mode
- ✔ Integrated battery monitor including over- and under-voltage detection
- ✔ Automotive temperature range of -40 $^{\circ}\text{C}$ to 125 $^{\circ}\text{C}$
- ✔ 28 V jump start
- ✔ Integrated temperature sensor
- ✔ Developed following ISO26262 supporting safety system up to ASIL-A
- ✔ AECQ-100 qualified
- ✔ SOIC8 package with exposed pad
- ✔ DFN10 3x3 package with exposed pad



EASY APPLICATION CONFIGURATION



The above information is "as is" and believed to be correct and accurate. Melexis disclaims any and all liability in connection with or arising out of the furnishing, application or use of the information or products; any and all liability, including without limitation, special, consequential or incidental damages; and any and all warranties, express, statutory, implied, or by description, including warranties of fitness for particular purpose, non-infringement and merchantability. Melexis reserves the right to change it at any time and without notice. Users should obtain the latest version of the information to verify it is current. Users must further determine the suitability of a product for its application, including the level of reliability required and determine whether it is fit for a particular purpose. Export control regulations may apply and export might require a prior authorization from competent authorities. Melexis' products are intended for use in normal commercial applications. Unless otherwise agreed upon in writing, the products are not designed, authorized or warranted to be suitable in applications requiring extended temperature range and/or unusual environmental requirements. High reliability applications, such as medical life-support or life-sustaining equipment are specifically not recommended by Melexis. Melexis' products are sold under the Melexis' Terms of Sale, which can be found at <https://www.melexis.com/en/legal/terms-and-conditions>.