

© 1972 BY AMP INCORPORATED. ALL RIGHTS RESERVED. AMP PRODUCTS COVERED BY PATENTS AND/OR PATENTS PENDING. APPROVED PER GOVT CONTRACT NO.

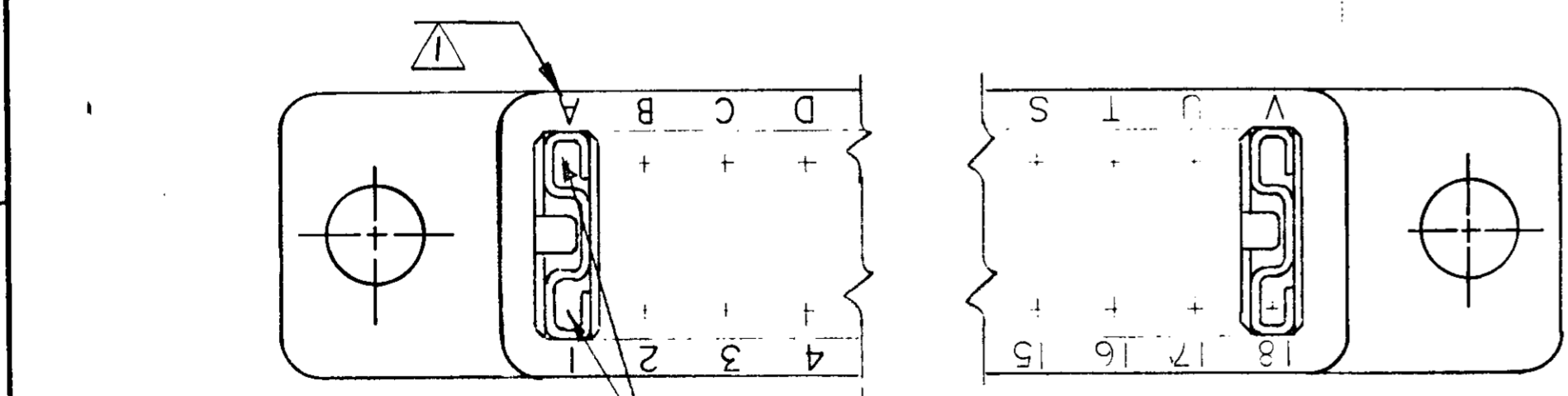
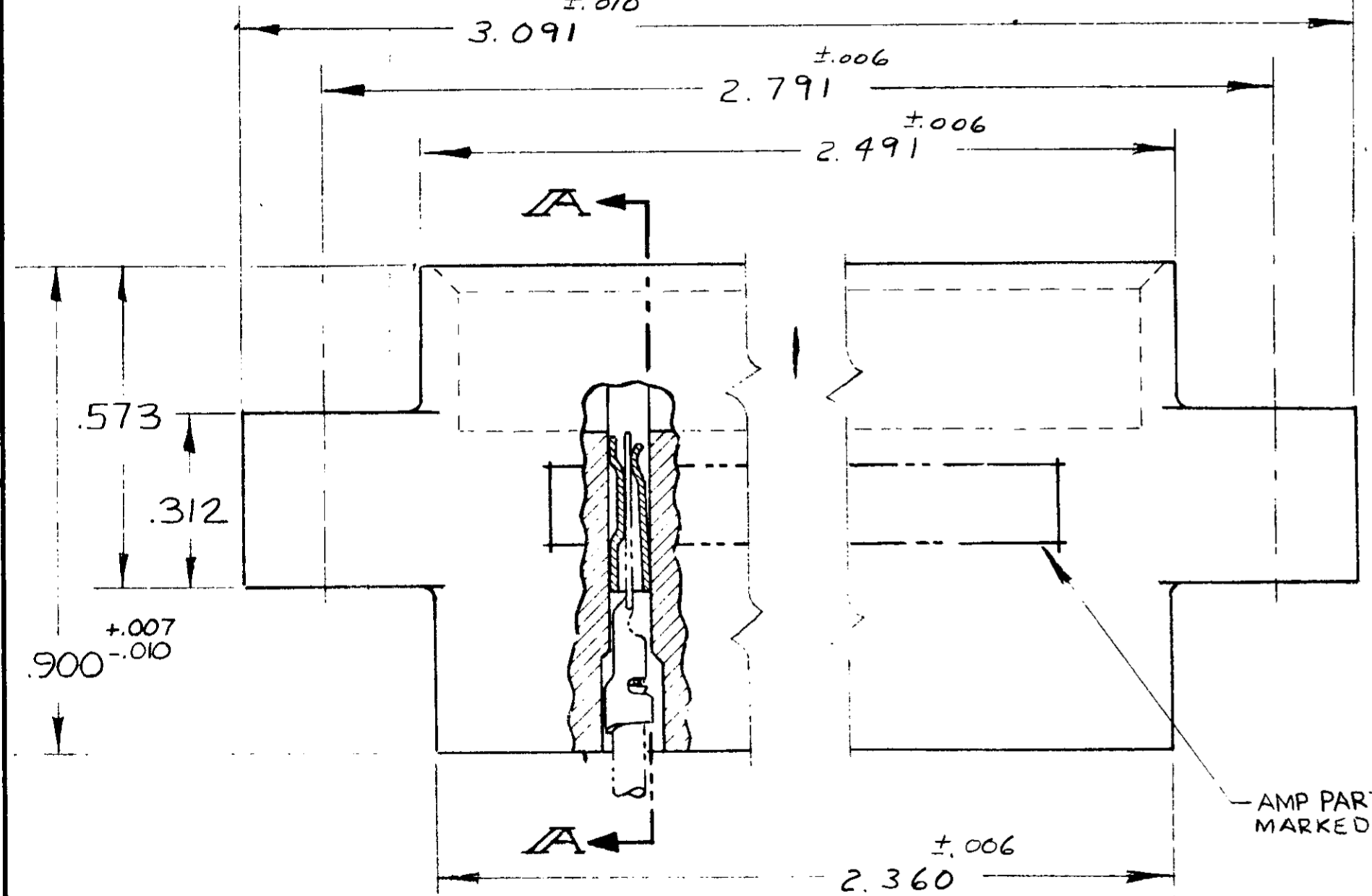
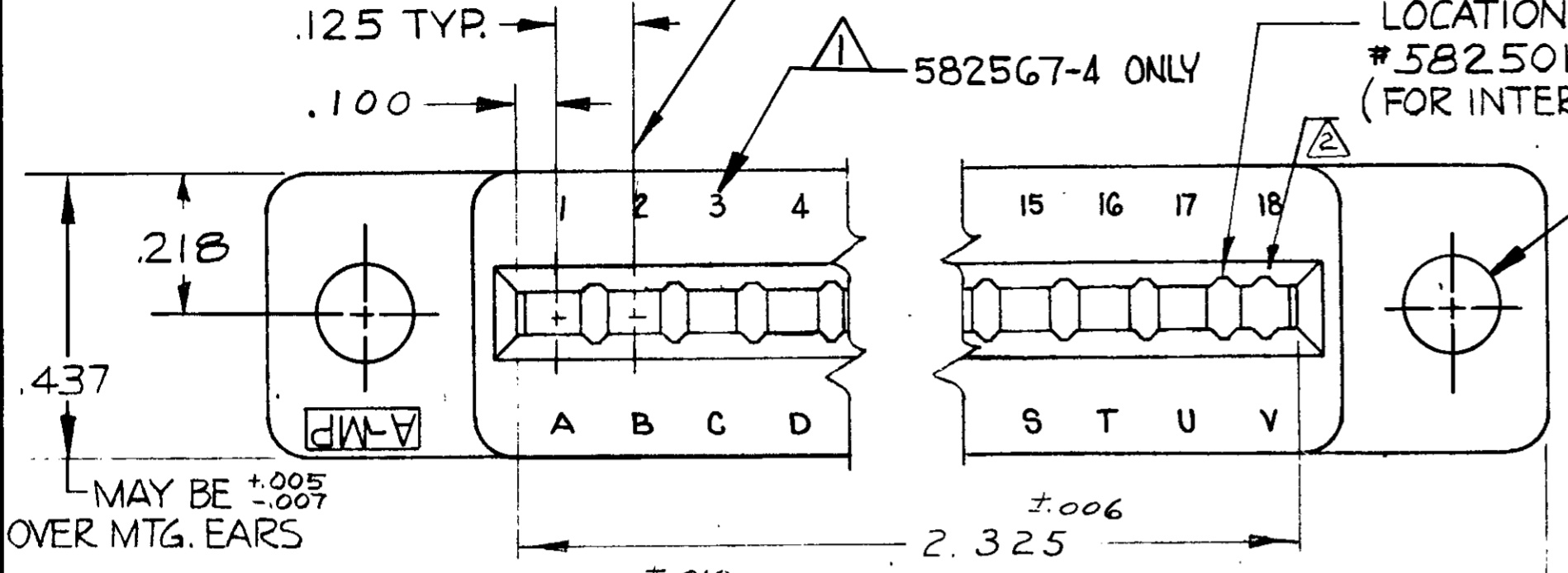
LOCATION FOR AMP-TAB RECEPTACLE CONTACT (TYP.)

LOCATION FOR KEYING PLUG #582501-1 (FOR INTER-CONTACT KEYING)

582567-4 ONLY

1/8" DIA. HOLE (2) PLACES

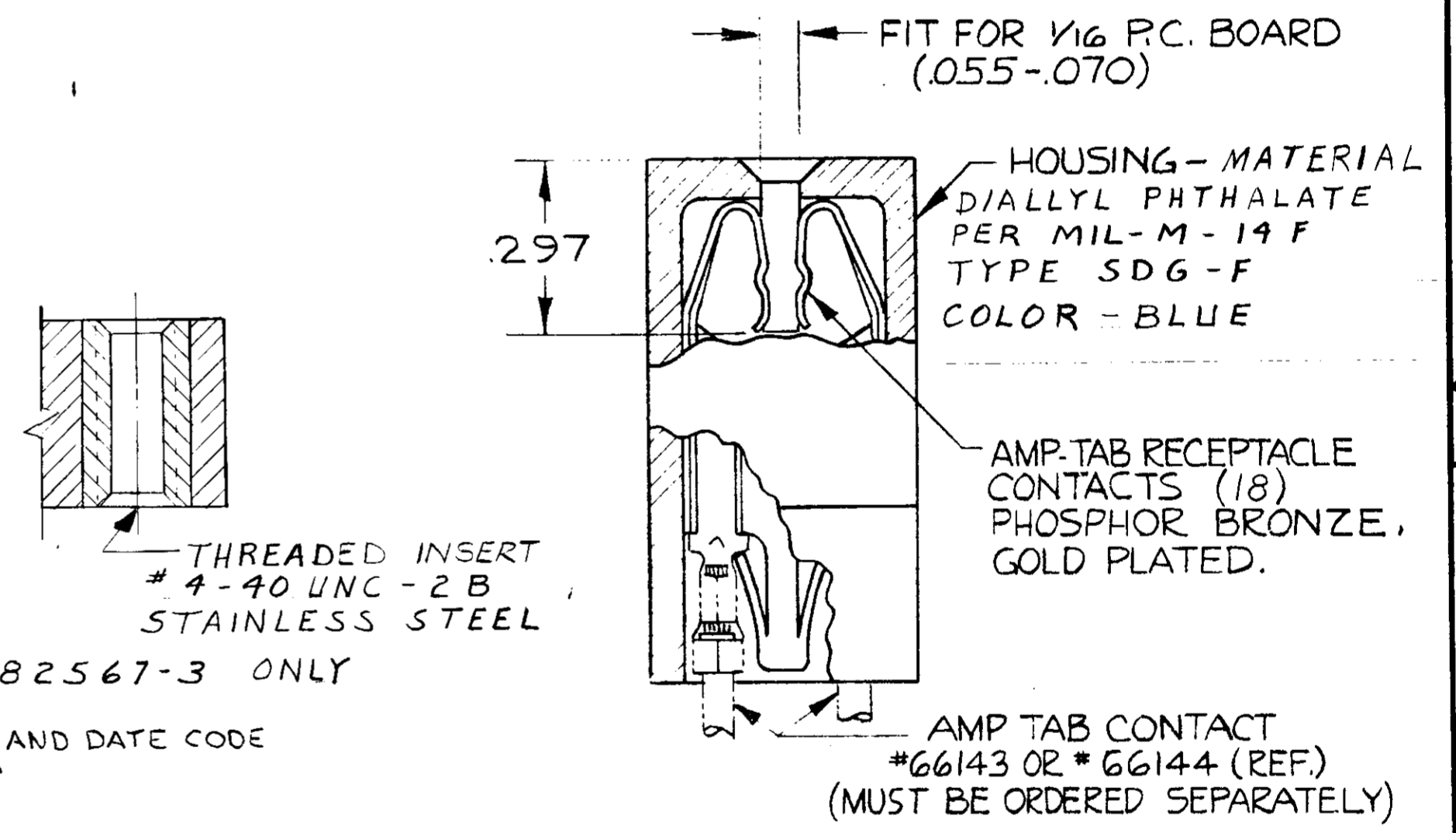
REVISIONS				
ZONE	LTR	DESCRIPTION	DATE	APPROVED
	V	REDRAWN AND REVISED 2334	3-11-70	D.H.
	W	REVISED 6126 m.s.	7-18-79	
	X	ADDED -4 6815 102.	11-9-83	HWR
	Y	OBS -18-2 AD1095 8/21	2-7-86	CP
	Y1	OBS -3 PER AD1254	4/20/86	CP/GS
	Z	REVISED PER 0600-3683-95 TA	10-95	JWARNER
	AA	ECO-08-020973 PY	11-08	JW



FIT FOR AMP TAB CONTACTS 66143 AND 66144

- △ UPPER CASE LETTERS 1ST ALPHABET, LOWER CASE LETTERS 2ND ALPHABET FOR HOUSINGS LARGER THAN 20 POSITIONS. OMIT LETTERS G, I, O, & Q. CIRCUIT CAVITY IDENTIFICATION MARKING PER MIL-C-21097.
- △ GROOVES FOR "ON CONTACT KEYING" AMP'S OPTION DEPENDING ON METHOD OF MANUFACTURE. FOR "ON CONTACT" KEYING USE KEYING PLUG P/N 583487-1. (MUST BE ORDERED SEPARATELY)

3. LASER MARKING ACCEPTABLE FOR ALL MARKING



PART NO.	J DIA.	REMARKS
582567-3		THREADED INSERTS OBS
582567-2	.150	OBS
582567-1	.128	OBS

PART NO.	J DIA.	REMARKS
582567-4	#	SPECIAL MARKING THREADED INSERTS

UNLESS OTHERWISE SPECIFIED DIMENSIONS ARE IN INCHES TOLERANCES ON FRACTIONS DECIMALS ANGLES ± # ± .005 ± #		CONTRACTING	
MATERIAL		DR	DATE
SEE CALLOUT		CHK <i>M. Smith</i>	3-11-70
HEAT TREAT		DSGN ENGR	DATE
#		APPD <i>D. Bushley</i>	2-11-70
FINISH		DATE	DATE
SEE CALLOUT		1/24/70	1/24/70
		DSGN APPD	
		OTHER APPD	

		AMP INCORPORATED HARRISBURG, PENNSYLVANIA	
		NAME	
18 POSITION AMP-TAB CONNECTOR .125 CENTERS DUAL		SIZE	CODE IDENT NO
		C	00779
		NUMBER	582567
		REV	AA
SCALE 4 -		WT	CALC
		ACTUAL	SHEET 1 OF 1

AMP INFO  
LOC PRINT DIST  
FFO

NUMBER 582567  
CUST. 582567