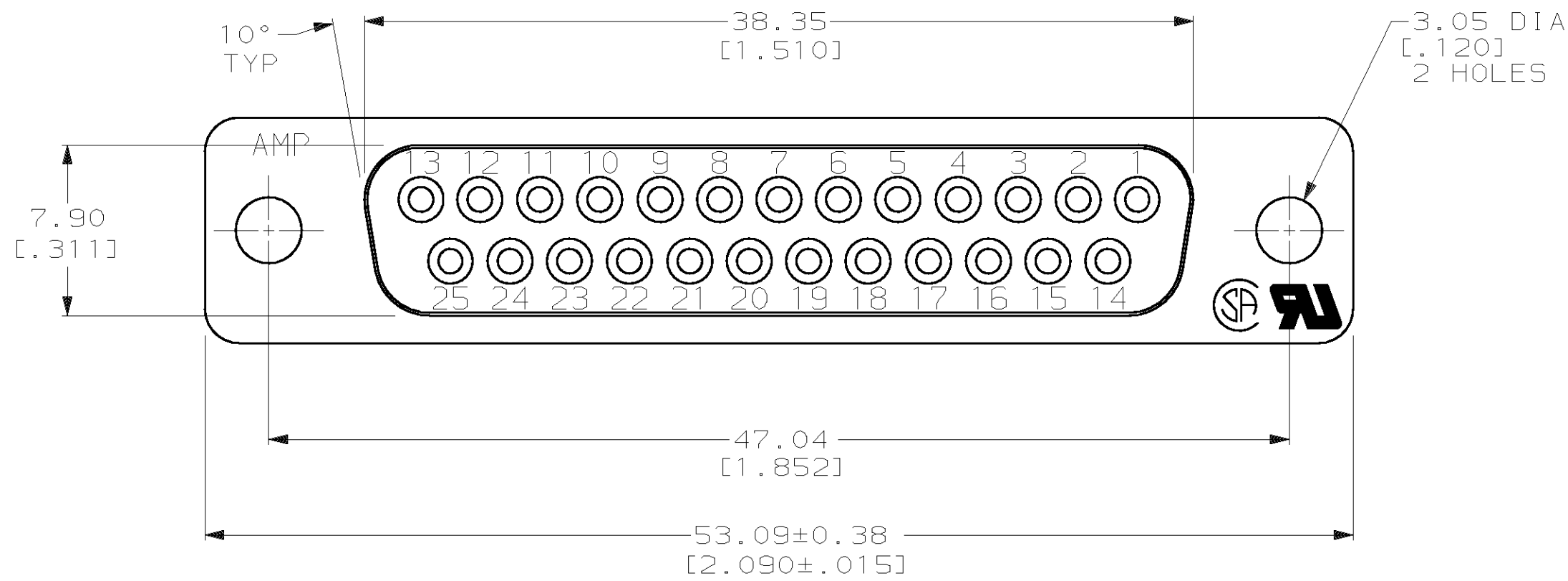
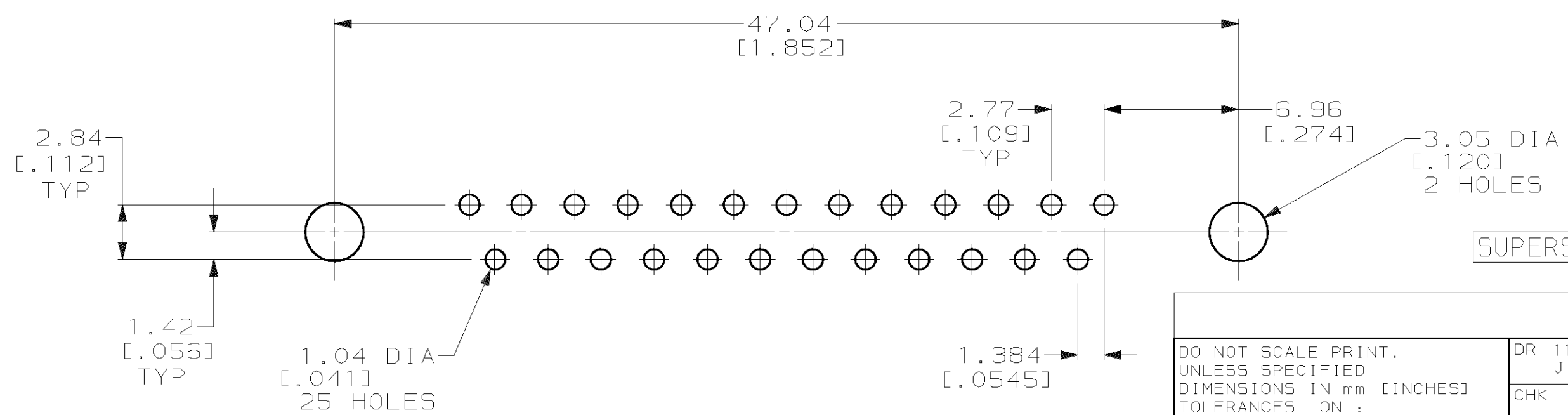
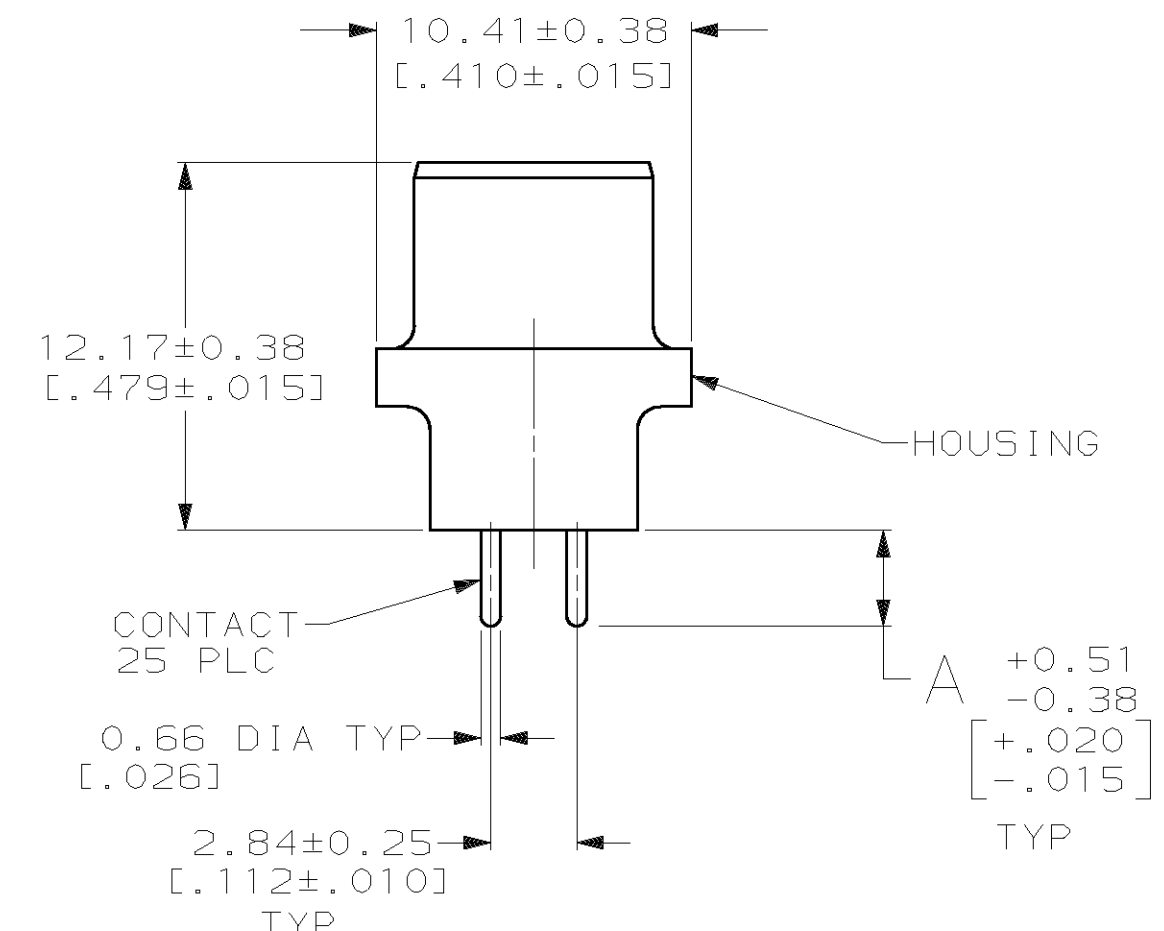
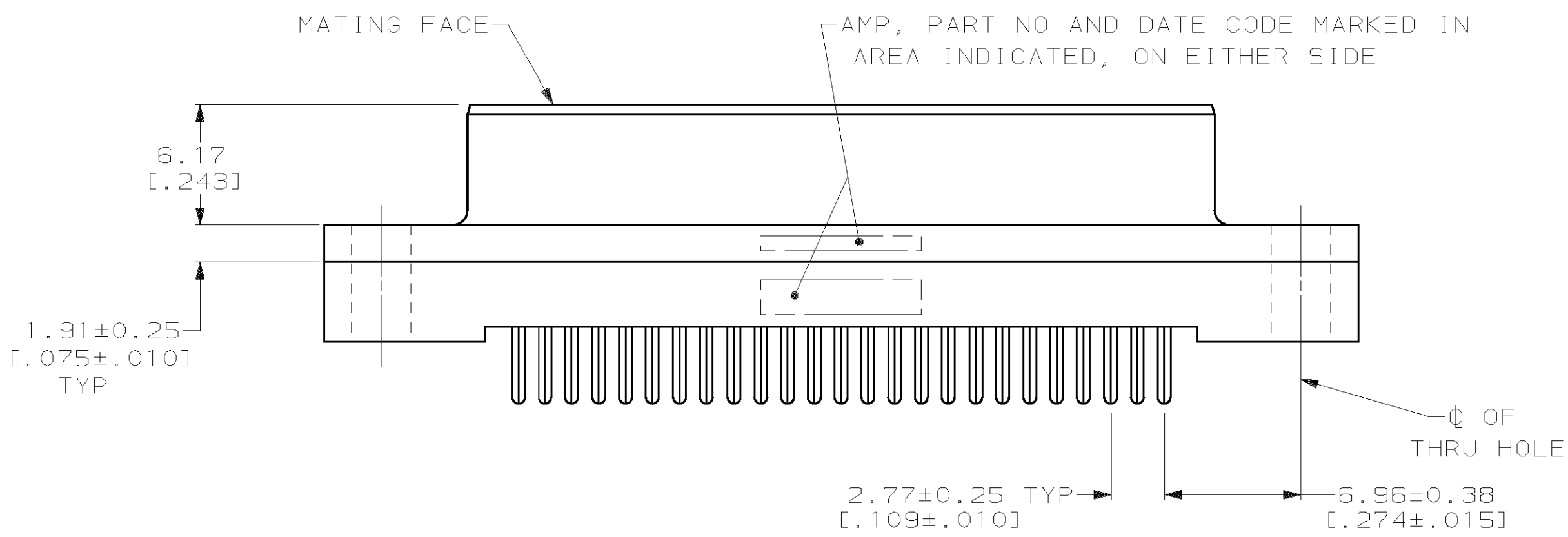


THIS DRAWING IS UNPUBLISHED. RELEASED FOR PUBLICATION .19 .
 © COPYRIGHT 19 BY AMP INCORPORATED. ALL INTERNATIONAL RIGHTS RESERVED.

| LOC | | DIST | | P | | F | | ZONE | | LTR | | REVISIONS | | DATE | APPD |
|-----|----|------|--|---|--|---|--|------|--|-----|--|-----------|-----------------------------|---------|------|
| GP | 00 | | | | | | | | | | | H | REVISED PER EC 0513-0017-03 | 12MAY03 | JG |



- ① HOUSING: BLACK POLYESTER, UL 94V-0 RATED; CONTACTS: PHOSPHOR BRONZE PER QQ-B-750.
- ② GOLD PLATING PER MIL-G-45204, TIN PLATING PER MIL-T-10727, NICKEL PLATING PER QQ-N-290.
- ③ GOLD FLASH FOR A LENGTH OF 3.81 [0.150] MIN FROM MATING END, 2.54µm [0.000100] MIN TIN OR TIN-LEAD FOR A LENGTH OF DIMENSION A FROM OPPOSITE END, ALL OVER 1.27µm [0.000050] MIN NICKEL.
- ④ 0.76µm [0.000030] MIN GOLD FOR A LENGTH OF 3.81 [0.150] MIN FROM MATING END, 2.54µm [0.000100] MIN TIN OR TIN-LEAD FOR A LENGTH OF DIMENSION A FROM OPPOSITE END, ALL OVER 1.27µm [0.000050] MIN NICKEL.



| OBSOLETE | 6.35 [0.250] | ④ | | 207828-8 |
|------------------------|--------------|---|---|----------|
| OBSOLETE | 6.35 [0.250] | ③ | ④ | 207828-7 |
| OBSOLETE | 4.32 [0.170] | ④ | | 207828-6 |
| OBSOLETE | 4.32 [0.170] | ③ | ④ | 207828-5 |
| | 3.18 [0.125] | ④ | | 207828-4 |
| | 3.18 [0.125] | ③ | ④ | 207828-3 |
| SUPERSEDED BY 207828-6 | 3.56 [0.140] | ④ | | 207828-2 |
| OBSOLETE | 3.56 [0.140] | ③ | ④ | 207828-1 |

RECOMMENDED PC BOARD MOUNTING DIMENSIONS

| | | |
|--|--|---|
| DO NOT SCALE PRINT. UNLESS SPECIFIED DIMENSIONS IN mm [INCHES] TOLERANCES ON : 2 PLC DEC ± 0.13 [0.005] 3 PLC DEC ± - ANGLES ± 2° | DR 11-16-89 J McCLINTON CHK 2-2-90 R. STONE APPD 2-2-90 S. SCHEFFERLY APPD 2-2-90 C. ROHDE PRODUCT SPEC 108-40025 APPLICATION SPEC - WEIGHT - | AMP INCORPORATED Harrisburg, Pa. 17105 NAME RECEPTACLE ASSEMBLY, SIZE 3, 25 POSN, VERTICAL, AMPLIMITE® HD-20 SIZE C 00779 SCALE 4:1 DRAWING NO 207828 SHEET 1 OF 1 |
|--|--|---|