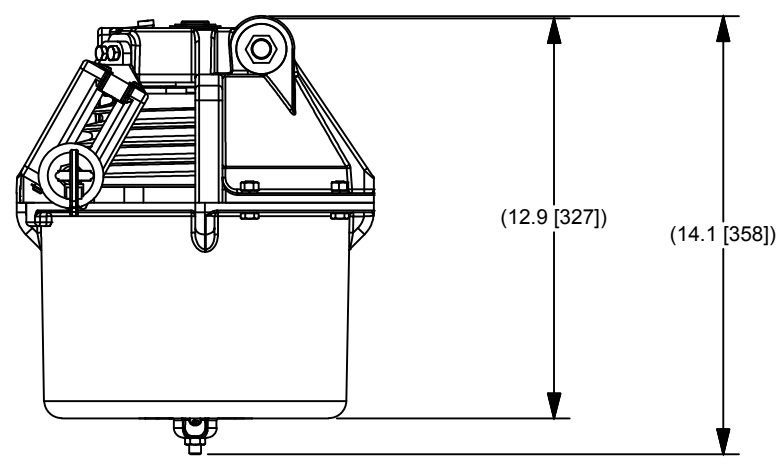
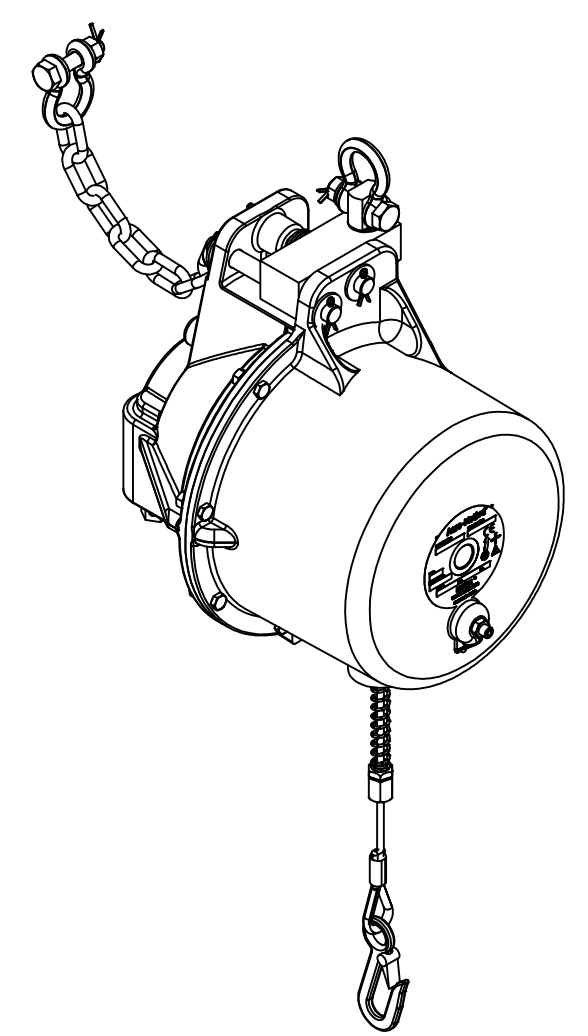
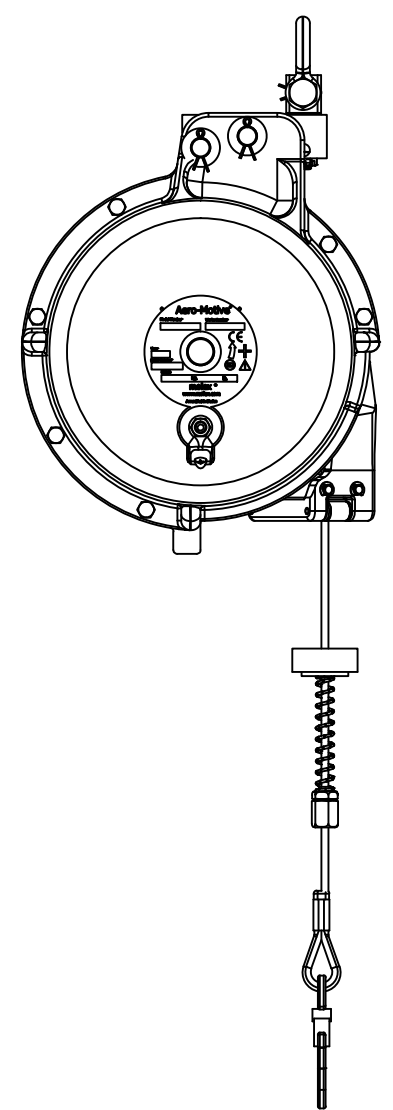
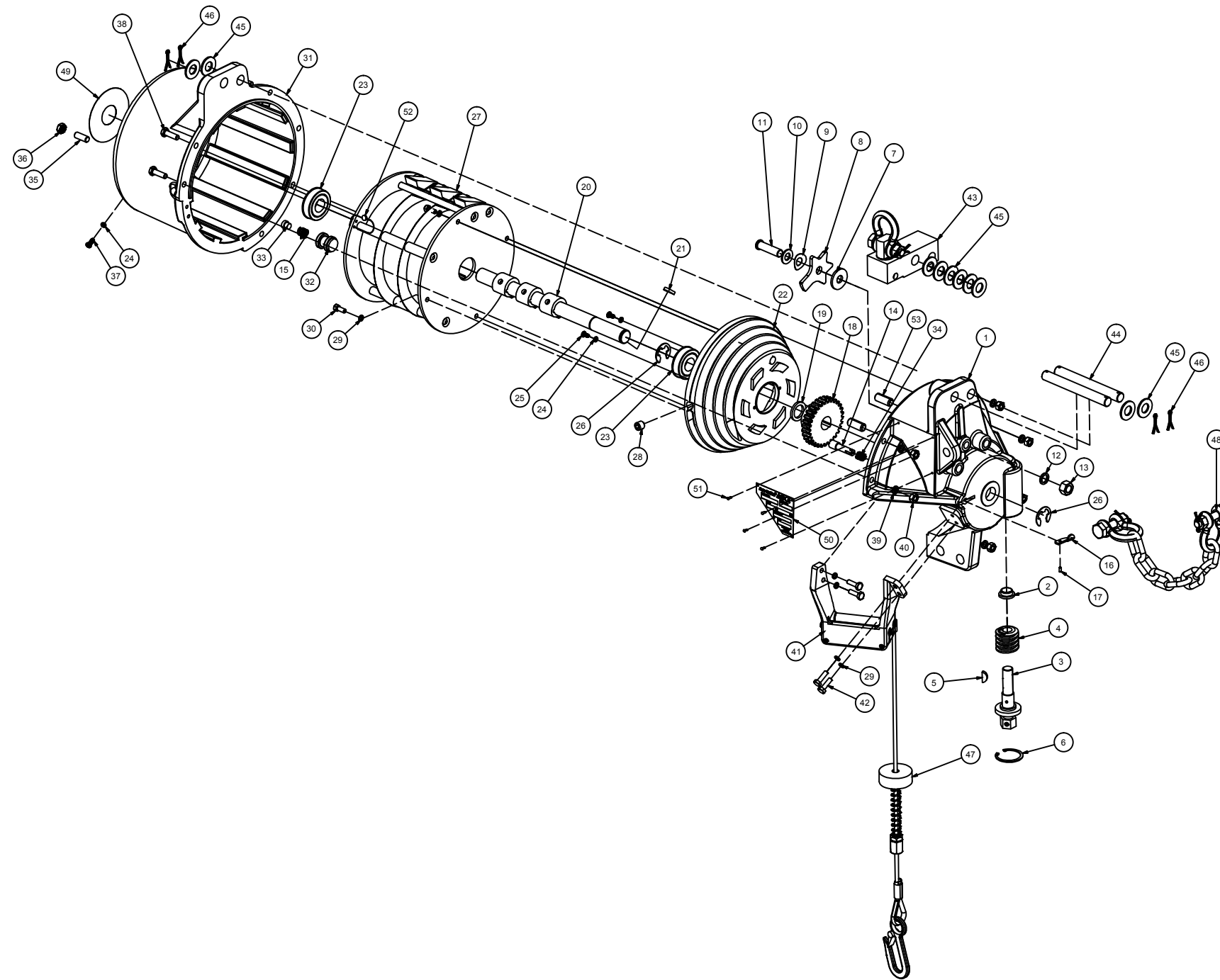


SECTION A-A



RELEASE EC NO: IPG2016-1217 DRWN: MCHOJECK 2014/03/05 CHKD: MZIELINS 2016/04/15 APPR: JFMURPHY 2016/05/03	DESCRIPTION REV	QUALITY SYMBOLS	GENERAL TOLERANCES (UNLESS SPECIFIED)		DIMENSION STYLE INCH / MM		SCALE NTS	DESIGN UNITS INCH	THIRD ANGLE PROJECTION		
		$\nabla=0$ $\sphericalangle=0$	4 PLACES	±---	±---	DRAWN BY	DATE	TITLE <b>LA BALANCER</b>			
			3 PLACES	±---	±---	MCHOJECK	2014/03/05				
			2 PLACES	±---	±---	CHECKED BY	DATE	<b>MOLEX INCORPORATED</b>			
			1 PLACE	±---	±---	JM	2014/03/05				
	ANGULAR ±.5°	DRAFT WHERE APPLICABLE MUST REMAIN WITHIN DIMENSIONS		APPROVED BY	DATE	DOCUMENT NO.		SHEET NO.			
A					JFMURPHY	2016/05/03	SD-130172-014		1 OF 3		
					MATERIAL NO. SEE TABLE		THIS DRAWING CONTAINS INFORMATION THAT IS PROPRIETARY TO MOLEX INCORPORATED AND SHOULD NOT BE USED WITHOUT WRITTEN PERMISSION				



ITEM	QTY.	ENGINEERING NUMBER	MATERIAL NUMBER	DESCRIPTION
1	1	31410-1	1301790635	LA-MAIN HOUSING
2	1	277-P-14	1302264581	FLANGE BEARING
3	1	47858	1301790638	WORM SHAFT ASSY FOR LA BALANCERS
4	1	31307	1301790499	WORM GEAR FOR LA BALANCER
5	1	751-P-17	1302264617	WOODRUFF KEY
6	1	AG14587	1302264626	CIRCLIP N1300-0162
7	1	31171	1301790051	STAR WHEEL FRICTON-PAD FOR J/K/L BAL.
8	1	3107X	SEE CHART	STAR WHEEL FOR J/K/L BALANCERS
9	1	31073UK	1301790479	STAR WHEEL SPRING FOR J/K BALANCERS
10	1	AG10220	1301790146	M12 PLAIN WASHER 24 MM. O.D. BZP
11	1	31072	1302264584	STAR WHEEL SHAFT FOR LA BALANCER
12	1	101-P-16	1301790002	1/2-SPLIT LOCK WASHER
13	1	156-P-20	1301830050	FST NUT-LOCK 1/2"-20 UNF BZP
14	1	31338	1302264602	SHAFT FOR MANUAL DRUM LOCK
15	1	31258UK	1302264588	SPRING FOR LA FRICTION VELOCITY CONTROL
16	1	31294	1302344676	LOCK LEVER FOR E/J/K/L BALANCERS
17	1	229-P-10	1301790028	PIN ROLL 1/8 x 5/16 - BZP
18	1	31308	1301790500	MAINSHAFT GEAR FOR LA BALANCER
19	1	31312	1302264594	SPACER FOR MAIN SHAFT FOR LA BAL.
20	1	31323	1301790637	MAIN SHAFT ASSEMBLY FOR LA BAL.
21	1	751-P-16	1302264616	WOODRUFF KEY
22	1	4261X	SEE CHART	DRUM & PIN ASSY
23	2	376-P-85	1302264605	FLANGE BEARING [7/8in I.D. - 2.0in O.D.]
24	3	101-P-15	1301790001	M5-SPLIT LOCK WASHER[2-ID; .36-OD; .05W]
25	2	6-P-104	1302264615	FST SC 10-24UNCX3/8"RD POS
26	2	580-P-75	1302264614	EXTERNAL CIRCLIP 0.875" SHAFT
27	1	31398-XX	SEE CHART	SPRING ASSEMBLY
28	1	827-P-10	1301790113	1/4"NPTx7/16"LG PIPE PLUG
29	8	101-P-30	1301790003	1/4-SPLIT LOCK WASHER[.26ID/.50D/.06W]
30	4	30-P-111	1301810690	FST BOLT 1/4-20 X 5/8" HHCS
31	1	52483-1-1	1302264610	LA COVER - POWDER BLUE
32	1	42607	1302264709	SLEEVE & PAD ASSY-VELOCITY CONTROL J/K/L
33	1	31259	1302264589	PLUG FOR J/K BALANCERS
34	1	31643	1301790070	SPRING FOR DRUM LOCK
35	1	53-P-509	1301810693	SET SCREW 1" LONG & 3/8-24 UNF-1A THREAD
36	1	156-P-45	1301830052	LK NUT, STL LOCK 3/8"UNF BP5.5M
37	1	2-P-418	1302264582	FST SCW10-24UNCX3/4"PAN POZI
38	6	31-P-45	1301810691	BOLT, HEX 5/16UNC X 1.1/4"
39	6	101-P-14	1301840117	FST WASHER 8MM SPRING - BZP
40	6	151-P-75	1301830049	HEX NUT 5/16-18UNC x 17/64 THICK
41	1	31364-1	1301794766	LA CABLE GUIDE POWDER - BLUE
42	4	30-P-112	1302264583	FST SC 1/4" UNC X 7/8" SET BZP
43	1	1301792113	BG49688	LA UPPER SHACKLE ASSEMBLY
44	2	52486	1302264612	LA SUSPENSION PIN
45	10	126-P-105	1301840119	WASHER-[.65in ID]x[1.31in OD]x[.09in TK]
46	4	228-P-12	1301790027	PIN SPLIT 1/8 x 1.0 - BZP
47	1	SEE BOM	SEE BOM	CABLE ASSEMBLY
48	1	BG19381	1302344726	ASSY SAFETY CHAIN FOR E/J/K/L BALANCERS
49	1	SEE BOM	SEE BOM	ROUND LABEL
50	1	SEE BOM	SEE BOM	GLOBAL TRAPEZ LABEL FOR J/K/L BAL
51	4	76-P-30-SS	1301790112	#2 X 1/4 LONG, TYPE-U DRIVE SCREW SS
52	1	37384	1301790516	LEAD SEAL WITH LOCK WIRE
53	2	230-P-159	1301790037	PIN ROLL SLOTTED 1/2 x 1 1/4 - ZINC PLT

RELEASE EC NO: IPG2016-1217 DRWN: MCHOJECK 2014/03/05 CHKD: MZIELINS 2016/04/15 APPR: JFMURPHY 2016/05/03	DESCRIPTION REV	QUALITY SYMBOLS	GENERAL TOLERANCES (UNLESS SPECIFIED)	DIMENSION STYLE	SCALE	DESIGN UNITS	THIRD ANGLE PROJECTION
		$\nabla = 0$ $\triangle = 0$	mm    INCH 4 PLACES ±--- ±--- 3 PLACES ±--- ±--- 2 PLACES ±--- ±--- 1 PLACE ±--- ±--- ANGULAR ±.5°	INCH / MM	NTS	INCH	
		DRAFT WHERE APPLICABLE MUST REMAIN WITHIN DIMENSIONS	DRAWN BY DATE MCHOJECK 2014/03/05 CHECKED BY DATE JM 2014/03/05 APPROVED BY DATE JFMURPHY 2016/05/03	TITLE	LA BALANCER		
			MATERIAL NO. SEE TABLE SIZE B THIS DRAWING CONTAINS INFORMATION THAT IS PROPRIETARY TO MOLEX INCORPORATED AND SHOULD NOT BE USED WITHOUT WRITTEN PERMISSION	MOLEX INCORPORATED DOCUMENT NO. SD-130172-014 SHEET NO. 2 OF 3			

F	BASE BALANCER MODELS		WEIGHT RANGE FOR EACH BALANCER MODEL		CABLE TRAVEL CHART PER MODEL;		ITEM 8 STAR WHEEL		ITEM 22 DRUM ASSEMBLY		ITEM 27 SPRING ASSEMBLY	
	MATERIAL NUMBER	MODEL NUMBER	LBS	KGS	[FT]	[M]	ENGINEERING NUMBER	MATERIAL NUMBER	ENGINEERING NUMBER	MATERIAL NUMBER	ENGINEERING NUMBER	MATERIAL NUMBER
	1301720109	210LA	174-210	79-95	7.0	2.1	31071	1301790044	42617	1301790840	31398-8	1301790736
	1301720118	230LA	209-236	95-107	7.0	2.1					31398-9	1301790737
	1301720126	250LA	234-250	106-113	7.0	2.1					31398-13	1301790728
	1301720135	260LA	249-265	113-120	7.0	2.1					31398-10	1301790725
E	1301720140	280LA	265-280	120-127	7.0	2.1					31398-14	1301790729
	1301720143	290LA	280-291	127-132	7.0	2.1					31398-11	1301790726
	1301720146	300LA	289-300	131-136	7.0	2.1					31398-15	1301790730
	1301720169	330LAS	300-331	136-150	5.0	1.5					31398-19	1301790733
	1301720176	350LAS	330-350	150-159	5.0	1.5					31398-18	1301790732
D	1301720180	370LAS	350-370	163-168	5.0	1.5					31398-17	1301790731
	1301720335	9160LA	155-165	70-75	9.0	2.7	31072	1302264584	42618	1301790841	31398-12	1301790727
	1301720336	9198LA	188-198	85-90	9.0	2.7	31072	1302264584	42618	1301790841	31398-6	1301790734
	1301720337	9200LA	180-190	81-86	9.0	2.7	31072	1302264584	42618	1301790841	31398-7	1301790735
	1301720338	9210LA	200-210	90-95	9.0	2.7	31072	1302264584	42618	1301790841	31398-1	1301790724
C	1301720339	9230LA	210-215	95-98	9.0	2.7	31072	1302264584	42618	1301790841	31398-9	1301790737

NOTES:  
 1. BALANCERS ARE 100% INSPECTED & PRE-TENSIONED TO MAX. WEIGHT.  
 2. HOUSINGS ARE MADE FROM ALUMINUM CASTING & POWDER COATED TO MEET HARSH INDUSTRIAL ENVIRONMENTS.  
 3. ALWAYS READ INSTRUCTIONS MANUAL BEFORE USING BALANCERS.  
 4. BALANCERS ARE NOT TO BE USED AS RETRACTORS THEIR MAIN PURPOSE BEING TO BALANCE A LOAD AND NOT TO RETRACT ONE.  
 5. OVERALL DIMENSIONS ARE FOR REFERENCE ONLY.  
 6. WHEN MOUNTING BALANCER, ALWAYS MAKE SURE THAT SAFETY PIN WHICH COMES WITH SHACKLE IS INSTALLED & SECURED.

A	RELEASE EC NO: IPG2016-1217 DRWN: MCHOJECK 2014/03/05 CHKD: MZIELINS 2016/04/15 APPR: JFMURPHY 2016/05/03	DESCRIPTION REV	QUALITY SYMBOLS ▽=0 ∇=0	GENERAL TOLERANCES (UNLESS SPECIFIED)		DIMENSION STYLE INCH / MM		SCALE NTS	DESIGN UNITS INCH	THIRD ANGLE PROJECTION		
					mm	INCH	DRAWN BY DATE	TITLE LA BALANCER ----- ----- MOLEX INCORPORATED				
				4 PLACES	±---	±---	MCHOJECK 2014/03/05					
				3 PLACES	±---	±---	CHECKED BY DATE					
2 PLACES	±---	±---	JM 2014/03/05									
1 PLACE	±---	±---	APPROVED BY DATE									
ANGULAR ±.5°			JFMURPHY 2016/05/03	MATERIAL NO.		DOCUMENT NO.		SHEET NO.				
DRAFT WHERE APPLICABLE MUST REMAIN WITHIN DIMENSIONS			SEE TABLE		SD-130172-014		3 OF 3		THIS DRAWING CONTAINS INFORMATION THAT IS PROPRIETARY TO MOLEX INCORPORATED AND SHOULD NOT BE USED WITHOUT WRITTEN PERMISSION			