

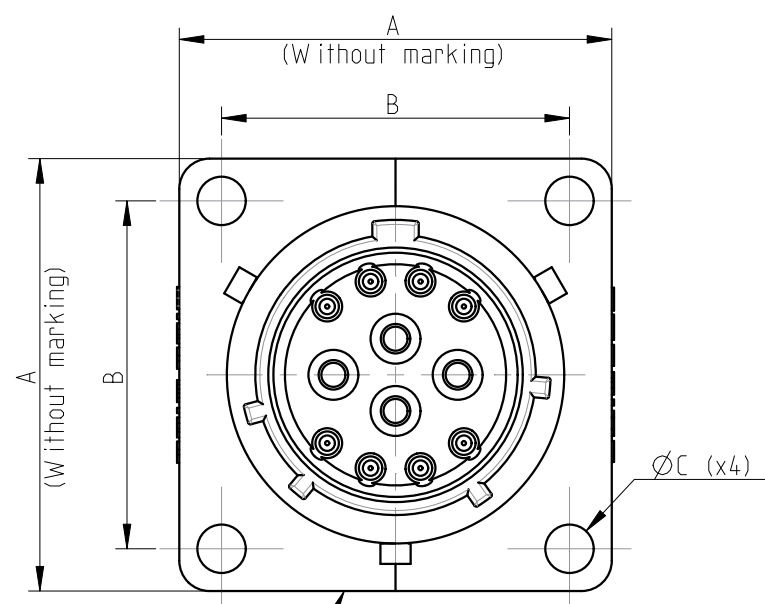
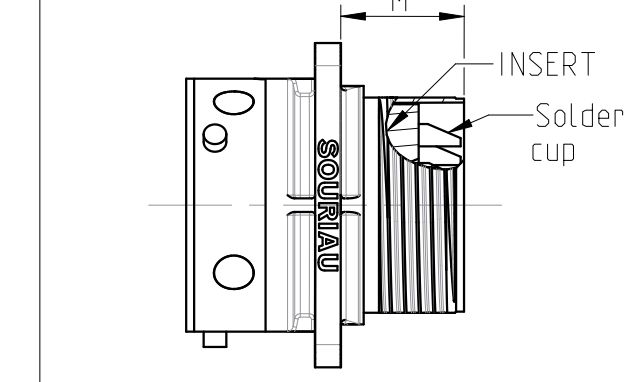
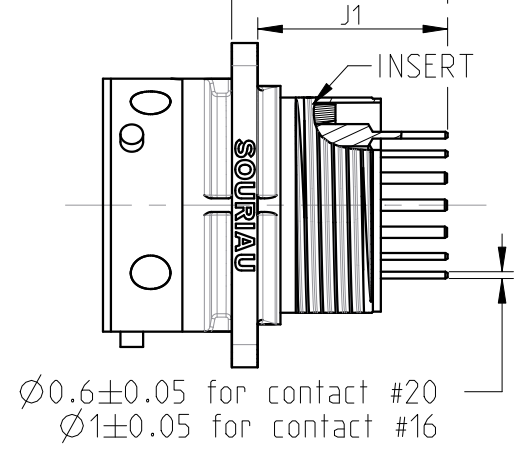
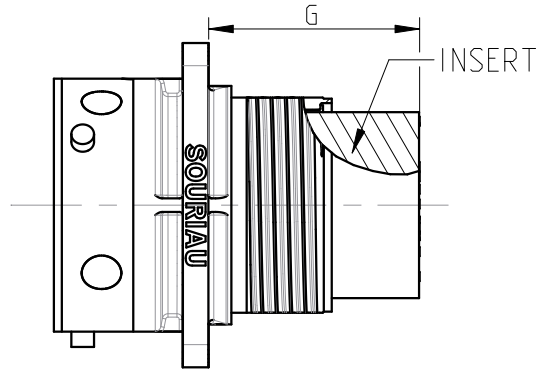
SIDE VIEW FOR EACH VERSION

COMMON QUOTES FOR ALL VERSION

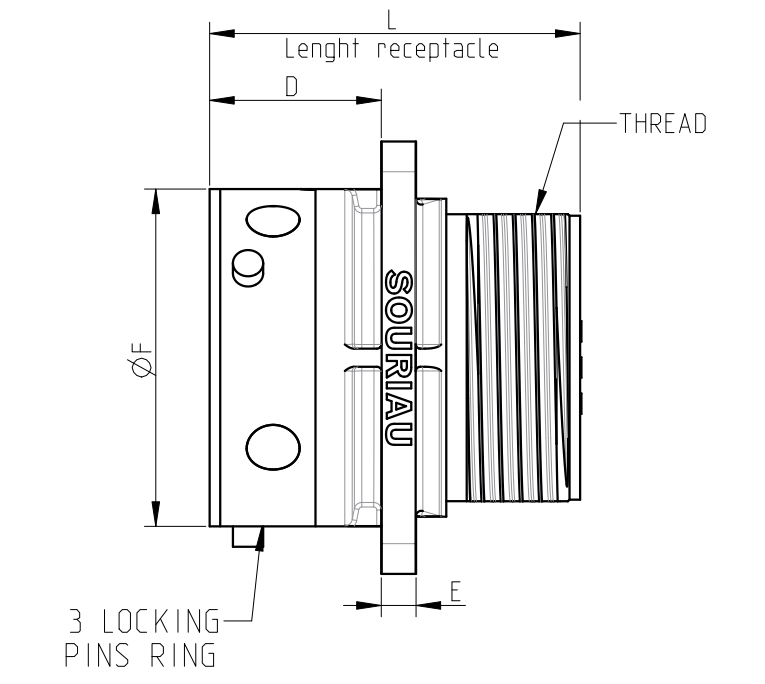
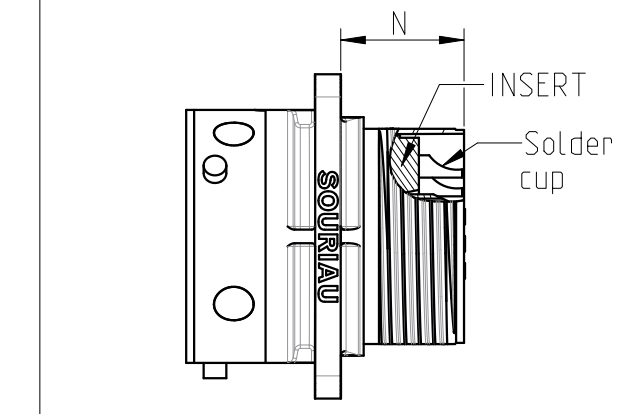
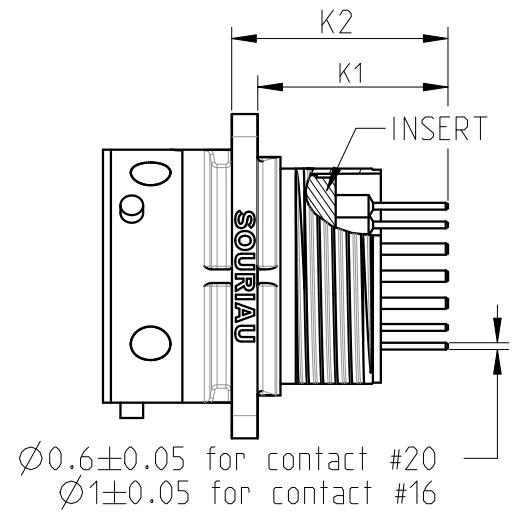
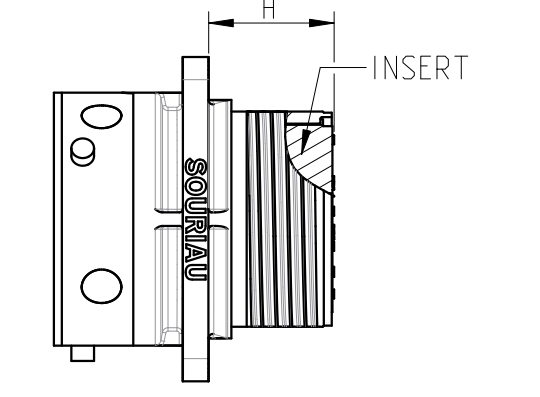
MATERIAL :

- SHELL : PA UL94 V0, UL746C F1 Black color
- 3 LOCKING PINS RING : Nickel plated Brass + stainless steel.
- INSERT (UTGX0-----) : PA UL94 V0, UL746C F1 Black color
- INSERT (UTGX0--D/E---) : Polychloroprene
- CONTACTS: brass + coated depending on P/N

UTGX0---P



UTGX0---S



SCALE 2/1

PERFORMANCE CHARACTERISTICS :

Operating temperature: -40°C up to 105°C
 Insulation resistance: 5000 MΩmin under 500V
 Corrosion salt spray: 500 hours
 Durability: 500 matings and unmatings
 Sealing conditions: SEE TABLE

NOTA:

- 1- Contact to be ordered separately for version UTGX0----- ; refer to corresponding catalogue.
- 2- Insert arrangement refer to:
 UTO-CONTACT-L-C02 (Female insulator)
 UTO-DHP-003-C01 (Female insulator #20)
 UTO-DHP-002-C01 (Female insulator #16)
 UTO-CONTACT-L-C01 (Male insulator)
 UTO-DHP-003-C01 (Male insulator #20)
 UTO-DHP-001-C01 (Male insulator #16)
 C144-UTS1-A (HiSeal Version)

SEALING CONDITIONS

Sealing in MATED conditions with COUNTERPART:

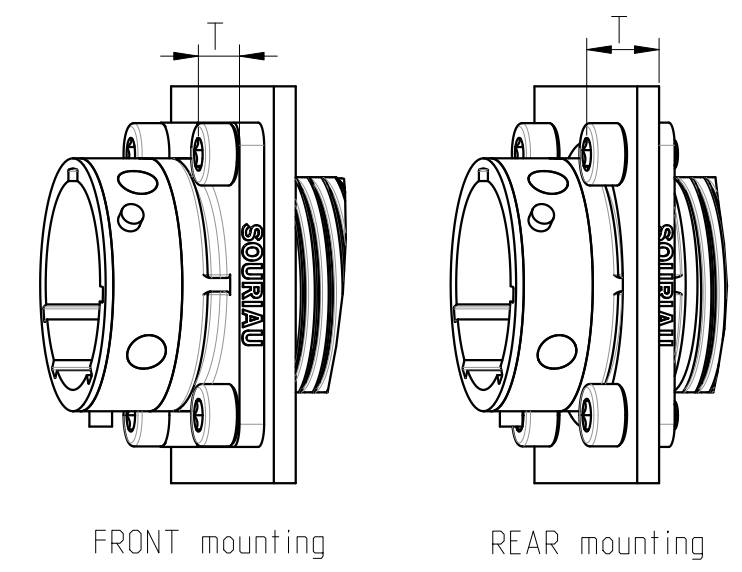
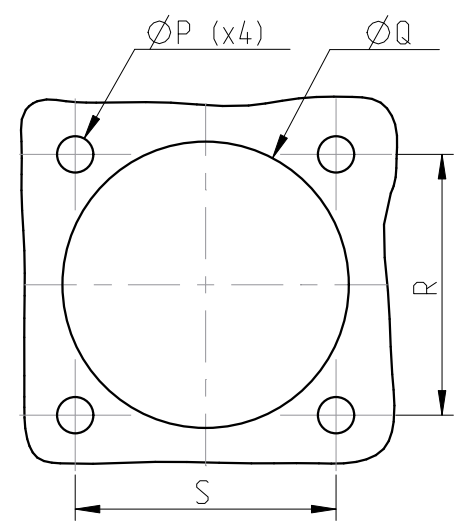
- IP68 1 bar during 1 week: immersion under 10 m of water. (IEC 60529)
- IP69K : exposure to high pressure water of cleaning equipment(DIN 40050)

Sealing in MATED conditions with COUNTERPART and UNMATED conditions:

- IP68 1 bar during 1 week: immersion under 10 m of water. (IEC 60529)
- IP69K : exposure to high pressure water of cleaning equipment(DIN 40050)

PANEL CUT OUT DEFINITION

PANEL CUT OUT DEFINITION						PANEL THICKNESS
SHELL SIZE	±0.1	REAR mounting	FRONT mounting	±0.15		
	ØP	±0.1		R	S	T
10	3.2	17.9	15.2	18.3	18.3	2.8
12		22.3	18.3	20.6	20.6	
14		25.1	21.5	23.0	23.0	



FRONT mounting

REAR mounting

Country Jurisdiction & Control List	
FR	NOT LISTED

SOURIAU shall not be liable for any non-conformity or damage due to a use of the Products which does not comply with the Specifications issued by either of the Parties or by a third party (Professional recommendation, technical notice.)

P/N : CROSS REF TABLE	
BASIC SERIES	UTGX 0 14 D 19 P -
SHELL TYPE	0 Square flange receptacle
SHELL SIZE	10 12 14
TYPE OF LAYOUT	Standard layout (No digit) D : HISEAL Dispolder contacts E : HISEAL Handsolder contacts
INSERT ARRANGEMENT	See NOTA 2
ORIENTATIONS	Normal (no digit) W.X.Y.Z
TYPE OF CONTACTS	P: MALE S: FEMALE

B	14/02/2020	-Update drawing	25253J
ISS	DATE	Latest modification - by:	J.FEURPRIER
Designed by: PE.LANDAIS Date:10/05/2019			MOD N°

TITLE	SQUARE FLANGE RECEPTACLE TO - SIZE 10 12 14 - Standard and Hiseal version
	UTGX CONNECTOR

Scale	3/2	Dimensions in mm General Linear Tolerances: ±0.2	NPRDS / PROJECT GGB
-------	-----	---	------------------------

SOURIAU Connection Technologies
 www.souriau.com
 This document is the property of SOURIAU. It must not be reproduced or communicated without permission.

SHELL SIZE	±0.4	±0.2	±0.1	±0.2	±0.2	±0.2	MAX	MIN / MAX				MAX			THREAD CLASS 2A	±30% (g.)	
	A	B	ØC	D	E	ØF	G	H	J1	J2	K1	K2	L	M		N	MASS
10	23.8	18.26	3.2	11.35	2.3	15.2	19.5	12.1	15.8 / 17.7	18.1 / 20	15.8 / 17.7	18.1 / 20	32.3	11.5	11.5	9/16-24 UNEF	6
12	26.2	20.62				19.15			*	*	*	*				11/16-24 UNEF	10
14	28.6	23.01				22.31			*	*	*	*				13/16-20 UNEF	13

* -1mm FOR LAYOUT 12D14

FORMAT	A2	SOURIAU DRG N° UTGX-0001A-C	SHEET 1 / 1
--------	----	--------------------------------	----------------