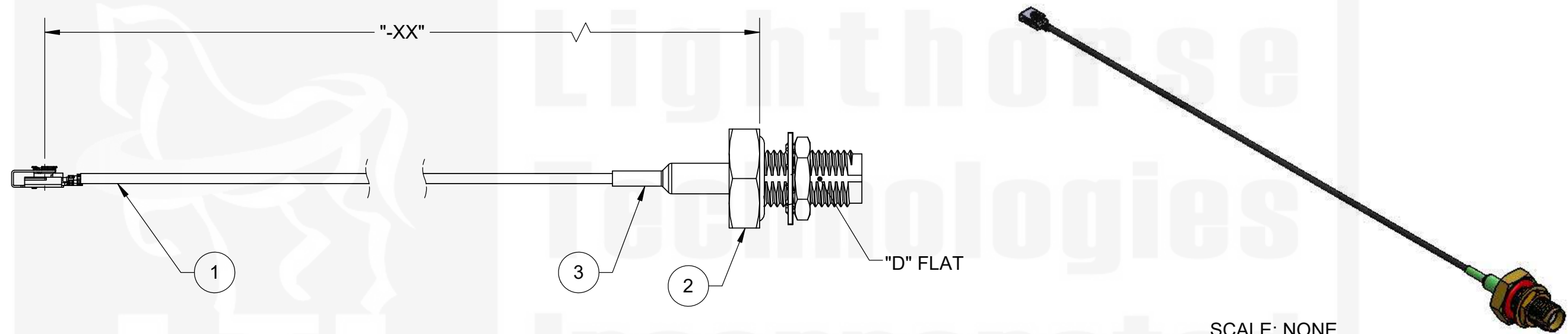


REVISIONS				
REV	ECR	DESCRIPTION	DRAWN	DATE
1		ENGINEERING RELEASE	P. BURDGE	11/03/2020

-XX IN THE ENDING OF THE CABLE PART NUMBER IS CALLING OUT THE LENGTH OF THE ASSEMBLY FROM CENTER TO MATING FLANGE OF CONNECTORS. EXAMPLES SHOWN BELOW:

LTI P/N: CBG-IPXLK-SAF3OGTX15-4IN (4 INCHES)
 CBG-IPXLK-SAF3OGTX15-10IN (10 INCHES)



SCALE: NONE

ITEM	PART NUMBER	DESCRIPTION	QTY
1	IPXLK-RG178	IPX (MHF1), LOCKING, 1.8MM COAX	1
2	SASF13ROGT-113-X15	SMA, JACK, BLKHD MNT, O-RING, IP-67, CABLE CRIMP	1
3	1635F-1/8"	.125 (1/8) DIA, .75 LENGTH, GREEN	1

IPX® AND MHF® ARE REGISTERED TRADEMARKS OF I-PEX CO., LTD. CORPORATION

DO NOT SCALE DRAWING	
TOLERANCES UNLESS OTHERWISE SPECIFIED	
DIMENSIONS ARE IN MILLIMETERS	
X	= ±0.5
X.X	= ±0.25
X.XX	= ±0.13
ANGLE	= ±30'
THIRD ANGLE PROJECTION	
CUSTOMER APPROVAL	
SIGN / DATE:	
ENG APPR.	
CHECKED	
DRAWN	P. BURDGE 11/03/2020
NAME	DATE

		Lighthouse Technologies San Diego, CA WWW.RFCONNECTOR.COM	
TITLE: CABLE ASSY, I-PEX MHF1 LOCKING, R/A JACK, CRIMP TO SMA, JACK, BLKHD MNT, O-RING, IP-67, RG-178 (1.8MM) COAX			
SIZE	PART/DWG. NO:	REV	
B	CBG-IPXLK-SAF3OGTX15-xxIN	1	
SCALE: 2:1	FILE NAME	SHEET 1 OF 1	

PROPRIETARY AND CONFIDENTIAL
 UNLESS OTHERWISE SPECIFIED: THIS DOCUMENT CONTAINS LIGHORSE TECHNOLOGIES INFORMATION. REPRODUCTION, USE, DISCLOSURE OR TRANSMITTAL OF ALL OR ANY PART OF THIS DOCUMENT IS PROHIBITED EXCEPT TO THE EXTENT APPROVED IN WRITING BY AN AUTHORIZED REPRESENTATIVE OF LIGHORSE TECHNOLOGIES. LIGHORSE TECHNOLOGIES RESERVES ALL RIGHTS UNDER PATENTS, TRADEMARKS, COPY RIGHTS AND TRADE SECRETS. COPY RIGHTS OF LIGHORSE TECHNOLOGIES 2011, ALL RIGHTS RESERVED.

