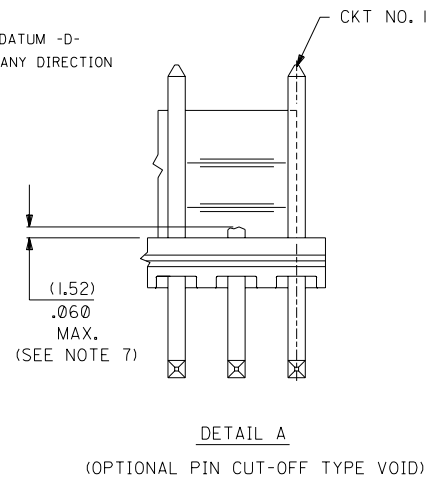


NOTES:

- PRECEDING ENG. NO. IN CHART DESIGNATES STANDARD PRODUCT.
- SOLDERABILITY: WHEN PARTS ARE SOLDERED AT A TEMPERATURE OF 230°C (446°F) FOR 5 SECONDS, EACH SOLDERED SURFACE SHALL BE A MINIMUM OF 95% COVERED WITH A SMOOTH CONTINUOUS ADHERENT COATING. FOR OTHER INFORMATION SEE ES-152.
- PIN PUSH OUT FORCE: PRIOR TO SOLDERING, A 3 POUND MINIMUM FORCE (IN EITHER DIRECTION) SHALL BE REQUIRED TO PUSH THE PIN OUT OF THE HEADER.
- FOR ADDITIONAL INFORMATION AND TESTING PROCEDURES SEE PS-08-50.
- PARTS ARE STACKABLE END TO END ON (3.96)/.156 CENTERS.
- FOR PART WITH PEGS SEE DWG NO. SDA-42492
- BURRS DUE TO CUTTING OFF OF PINS MUST NOT VARY FROM CENTERLINE OF PIN AT DATUM -D- BY MORE THAN .008 IN ANY DIRECTION.



NO. OF CKT'S.	DIM. A	DIM. B
2	(3.96±.05) .156±.002	(7.77) .306
3	(7.92±.08) .312±.003	(11.73) .462
4	(11.89±.08) .468±.003	(15.70) .618
5	(15.85±.10) .624±.004	(19.66) .774
6	(19.81±.10) .780±.004	(23.62) .930
7	(23.77±.10) .936±.004	(27.58) 1.086
8	(27.74±.13) 1.092±.005	(31.55) 1.242
9	(31.70±.13) 1.248±.005	(35.51) 1.398
10	(35.66±.13) 1.404±.005	(39.47) 1.554
11	(39.62±.15) 1.560±.006	(43.43) 1.710
12	(43.59±.15) 1.716±.006	(47.40) 1.866
13	(47.55±.15) 1.872±.006	(51.36) 2.022
14	(51.51±.18) 2.028±.007	(55.32) 2.178
15	(55.47±.18) 2.184±.007	(59.28) 2.334
16	(59.44±.18) 2.340±.007	(63.25) 2.490
17	(63.40±.20) 2.496±.008	(67.21) 2.646
18	(67.36±.20) 2.652±.008	(71.17) 2.802

MATERIAL: HEADER: GLASS FILLED POLYESTER, 94V-0, MOLDED NATURAL (WHITE).
PIN: BRASS

PLATINGS:
(102) ELECTRO TIN .000450/.000200 OVER .000200/.000100 COPPER
(567) SELECT GOLD 15 M.I. MIN, SELECT TIN/LEAD 100 M.I. MIN., OVER NICKEL
(569) SELECT GOLD 30 M.I. MIN, SELECT TIN/LEAD 100 M.I. MIN., OVER NICKEL
FOR ADDITIONAL INFORMATION SE SDES-88.

REL SHT 5 UCP2003-0755 11/6/2002 SAMIEC		DIMENSIONS SHOWN (METRIC) INCH UNLESS OTHERWISE SPECIFIED TOLERANCES: ANGULAR ± 1/2°		▽ = 0 ▽ = 0 REVISE ONLY ON CAD SYSTEM	
REL SHT 4 UCR2002-0555 12/17/01 SAMIEC		3 PLACE ± INCH METRIC		TITLE FRICITION LOCK HEADER ASS'Y .156 Q BENT SQ PINS, W/O PEGS 41792 SERIES DWG.	
ADD PACK SPEC UCR2002-0087 7/26/01 SAMIEC		DRAFT WHERE APPLICABLE MUST REMAIN WITHIN DIMENSIONS		MOLEX INCORPORATED SHEET NO. DATE LISLE, ILL. 60532 U.S.A. 1 OF 6 09/09/87	
DRWG. BY SAMIEC CHK'D BY PATEL		PART NO. DRWG. NO.		SEE CHART SDA-41792	
APP'D BY LENZ SCALE :		FILE NAME S41792X1		THIS DRAWING CONTAINS INFORMATION THAT IS PROPRIETARY TO MOLEX INC. AND SHOULD NOT BE USED WITHOUT WRITTEN PERMISSION.	
LTR.	REVISIONS	LTR.	REVISIONS	APP'D BY	REV.

6	E
5	E2
4	E1
3	E
2	E
1	E2

13	12	11	10	9	8	7	6	41792		4	3	2	1
ENG. NO.	HEADER NO.	PIN NO.	PLATING	DIM. L	DIM. X	DIM. G GOLD	DIM. Y	DIM. Z	DIM. T TIN	DIM. W	NO OF CKTS	VOID CKTS	PACKAGING
A-41792-0019/0035	41790-0002/0018	2161-37(501)	501	(27.94) 1.100	(11.43) .450	() OVERALL	(5.41) .213	(3.96) .156	() N/A	90°	2-18		BULK PER PK-41792-002
A-41792-0036/0050	41790-0002/0018	2161-37(102)	102	(27.94) 1.100	(11.43) .450	() N/A	(5.41) .213	(3.96) .156	() OVERALL	90°	4-18	4	BULK PER PK-41792-002
A-41792-0051/0067	41790-0002/0018	2161-64(102)	102	(29.85) 1.175	(13.28) .523	() N/A	(5.41) .213	(4.01) .158	() OVERALL	90°	2-18		BULK PER PK-41792-002
A-41792-0068/0084	41790-0002/0018	2161-64(501)	501	(29.85) 1.175	(13.28) .523	() OVERALL	(5.41) .213	(4.01) .158	() N/A	90°	2-18		BULK PER PK-41792-002
A-41792-0085/0101	41790-0002/0018	2161-64(503)	503	(29.85) 1.175	(13.28) .523	() OVERALL	(5.41) .213	(4.01) .158	() N/A	90°	2-18		BULK PER PK-41792-002
A-41792-0102/0118	41790-0002/0018	2161-37(122)	122	(27.94) 1.100	(11.43) .450	() N/A	(5.41) .213	(3.96) .156	() OVERALL	90°	2-18		BULK PER PK-41792-002

H													
G													
F													
E													

A-41792-0019/0035				A-41792-0036/0050				A-41792-0051/0067				A-41792-0068/0084				A-41792-0085/0101				A-41792-0102/0118			
EDP NO.	ENG. NO.	NO OF CKTS		EDP NO.	ENG. NO.	NO OF CKTS		EDP NO.	ENG. NO.	NO OF CKTS		EDP NO.	ENG. NO.	NO OF CKTS		EDP NO.	ENG. NO.	NO OF CKTS		EDP NO.	ENG. NO.	NO OF CKTS	
26-61-5020	A-41792-0019	2				2		26-60-5021	A-41792-0051	2		26-61-5021	A-41792-0068	2		A-41792-0085	2		26-62-5022	A-41792-0102	2		
26-61-5030	A-41792-0020	3				3		26-60-5031	A-41792-0052	3		26-61-5031	A-41792-0069	3		A-41792-0086	3		26-62-5032	A-41792-0103	3		
26-61-5040	A-41792-0021	4	26-61-5043	A-41792-0036	4			26-60-5041	A-41792-0053	4		26-61-5041	A-41792-0070	4		26-61-5042	A-41792-0087	4		26-62-5042	A-41792-0104	4	
26-61-5050	A-41792-0022	5	26-61-5053	A-41792-0037	5			26-60-5051	A-41792-0054	5		26-61-5051	A-41792-0071	5			A-41792-0088	5		26-62-5052	A-41792-0105	5	
26-61-5060	A-41792-0023	6	26-61-5063	A-41792-0038	6			26-60-5061	A-41792-0055	6		26-61-5061	A-41792-0072	6	26-61-5062	A-41792-0089	6		26-62-5062	A-41792-0106	6		
26-61-5070	A-41792-0024	7	26-61-5073	A-41792-0039	7			26-60-5071	A-41792-0056	7		26-61-5071	A-41792-0073	7		A-41792-0090	7		26-62-5072	A-41792-0107	7		
26-61-5080	A-41792-0025	8	26-61-5083	A-41792-0040	8			26-60-5081	A-41792-0057	8		26-61-5081	A-41792-0074	8	26-61-5082	A-41792-0091	8		26-62-5082	A-41792-0108	8		
26-61-5090	A-41792-0026	9	26-61-5093	A-41792-0041	9			26-60-5091	A-41792-0058	9		26-61-5091	A-41792-0075	9		A-41792-0092	9		26-62-5092	A-41792-0109	9		
26-61-5100	A-41792-0027	10	26-61-5103	A-41792-0042	10			26-60-5101	A-41792-0059	10		26-61-5101	A-41792-0076	10	26-61-5102	A-41792-0093	10		26-62-5102	A-41792-0110	10		
26-61-5110	A-41792-0028	11	26-61-5113	A-41792-0043	11			26-60-5111	A-41792-0060	11		26-61-5111	A-41792-0077	11		A-41792-0094	11		26-62-5112	A-41792-0111	11		
26-61-5120	A-41792-0029	12	26-61-5123	A-41792-0044	12			26-60-5121	A-41792-0061	12		26-61-5121	A-41792-0078	12	26-61-5122	A-41792-0095	12		26-62-5122	A-41792-0112	12		
26-61-5130	A-41792-0030	13	26-61-5133	A-41792-0045	13			26-60-5131	A-41792-0062	13		26-61-5131	A-41792-0079	13		A-41792-0096	13		26-62-5132	A-41792-0113	13		
26-61-5140	A-41792-0031	14	26-61-5143	A-41792-0046	14			26-60-5141	A-41792-0063	14		26-61-5141	A-41792-0080	14		A-41792-0097	14		26-62-5142	A-41792-0114	14		
26-61-5150	A-41792-0032	15	26-61-5153	A-41792-0047	15			26-60-5151	A-41792-0064	15		26-61-5151	A-41792-0081	15		A-41792-0098	15		26-62-5152	A-41792-0115	15		
26-61-5160	A-41792-0033	16	26-61-5163	A-41792-0048	16			26-60-5161	A-41792-0065	16		26-61-5161	A-41792-0082	16		A-41792-0099	16		26-62-5162	A-41792-0116	16		
26-61-5170	A-41792-0034	17	26-61-5173	A-41792-0049	17			26-60-5171	A-41792-0066	17		26-61-5171	A-41792-0083	17		A-41792-0100	17		26-62-5172	A-41792-0117	17		
26-61-5180	A-41792-0035	18	26-61-5183	A-41792-0050	18			26-60-5181	A-41792-0067	18		26-61-5181	A-41792-0084	18		A-41792-0101	18		26-62-5182	A-41792-0118	18		

SEE SHEET I	SEE SHEET I	DIMENSIONS SHOWN (METRIC) INCH UNLESS OTHERWISE SPECIFIED TOLERANCES ANGULAR ± 1/2°		▽ = 0 ▼ = 0	REVISE ONLY ON CAD SYSTEM
SEE SHEET I	SEE SHEET I	INCH METRIC		TITLE	
SEE SHEET I	SEE SHEET I	3 PLACE ± ±		FRICITION LOCK HEADER ASSY .156 Q BENT SQ PINS, W/O PEGS 41792 SERIES DWG	
SEE SHEET I	SEE SHEET I	2 PLACE ± ±		MOLEX INCORPORATED	
SEE SHEET I	SEE SHEET I	1 PLACE ± ±		SHEET NO. 3 DATE 06/28/88	
SEE SHEET I	A21	DRAFT WHERE APPLICABLE MUST REMAIN WITHIN DIMENSIONS		PART NO. SDA-41792	
SEE SHEET I	A12	DRWG. NO.		SEE CHART	
LTR.	REVISIONS	DRWG. BY SAMEIC		FILE NAME 541792X3	
LTR.	REVISIONS	CHK'D. BY PATEL		THIS DRAWING CONTAINS INFORMATION THAT IS PROPRIETARY TO MOLEX INC. AND SHOULD NOT BE USED WITHOUT WRITTEN PERMISSION	
		APP'D. BY LENZ		DIV. C	