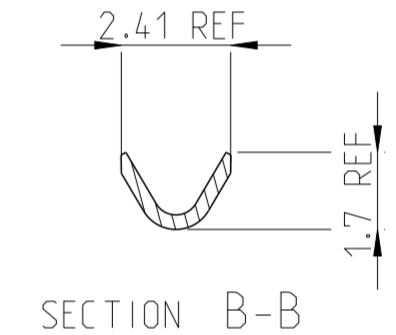
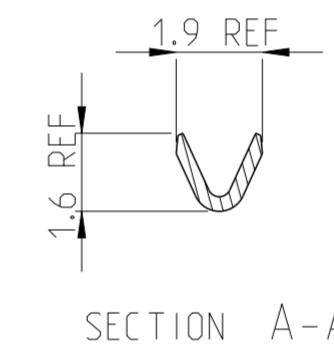
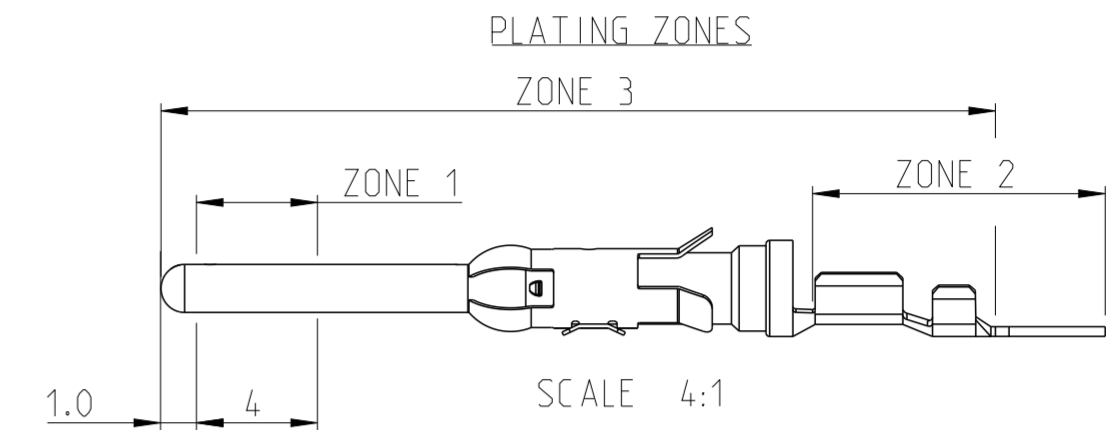
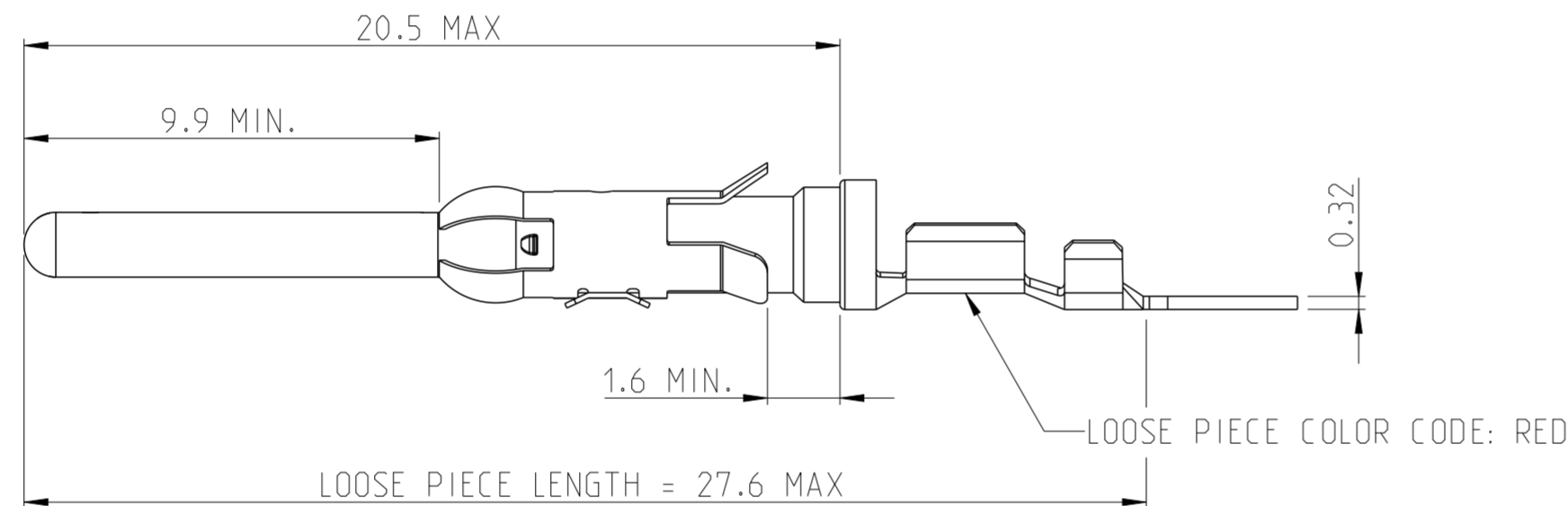
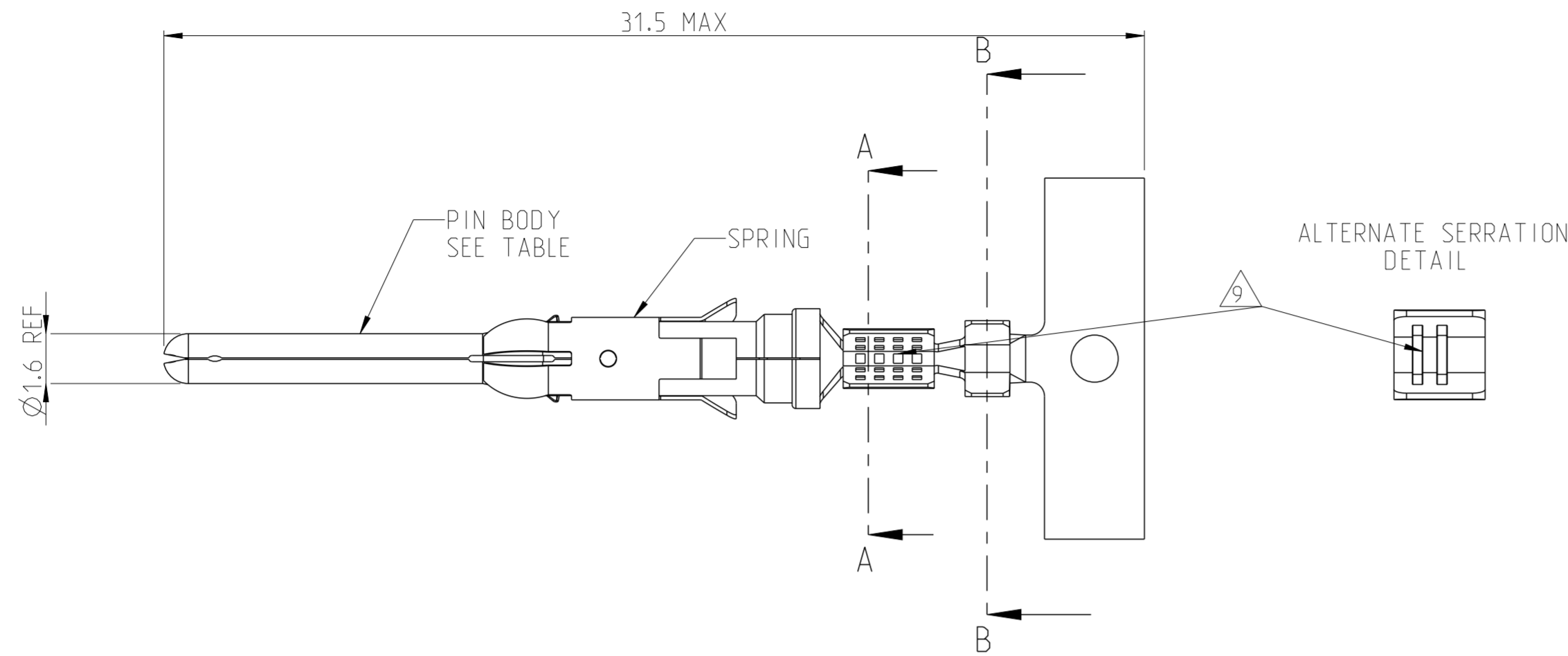
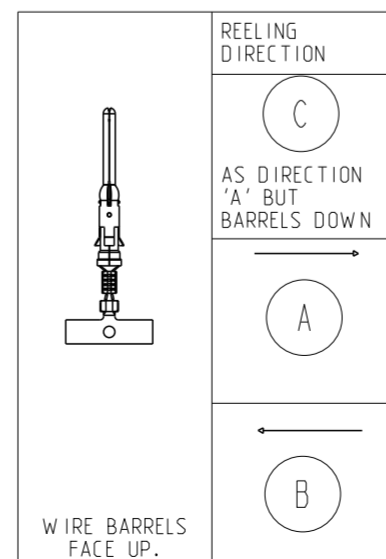


| REVISIONS |     |  |           |     |      |
|-----------|-----|--|-----------|-----|------|
| P         | LTR | DESCRIPTION                            | DATE      | DWN | APVD |
| AB        |     | ECO-21-006957                          | 25JUN2021 | RK  | MZ   |
| AC        |     | PLATING THICKNESS CHANGED REFER NOTE 7 | 29JUN2022 | DM  | SM   |



NOTES

- 1 1.27 MICRON MIN NICKEL PLATE OVER ZONE 3.  
0.76 MICRON MIN PRECIOUS METAL PLATE OVER ZONE 1.  
1 MICRON MIN TIN PLATE OVER ZONE 2.  
(CONFORMS TO THE REQUIREMENTS OF TE CONNECTIVITY PRODUCT SPEC 108-10042  
BASED ON EIA/ECA-364-1000.01A (CONTROLLED ENVIRONMENT APPLICATIONS)
- 2 1.27 MICRON MIN NICKEL PLATE OVER ZONE 3.  
0.76 MICRON MIN PRECIOUS METAL PLATE OVER ZONE 1.  
0.076 MICRON MIN GOLD FLASH PLATE OVER THE REMAINDER OF ZONE 3.  
(CONFORMS TO THE REQUIREMENTS OF TE CONNECTIVITY PRODUCT SPEC 108-10042  
BASED ON EIA/ECA-364-1000.01A (CONTROLLED ENVIRONMENT APPLICATIONS)
- 3 1.54 - 2.54 MICRON SILVER PLATE OVER ZONE 3.
- 4 1.27 MICRONS MIN NICKEL PLATE OVER ZONE 3.  
0.76 MICRON MIN GOLD PLATE OVER ZONE 1.  
0.076 MICRON MIN GOLDFLASH PLATE OVER THE REMAINDER OF ZONE 3.
- 5 1.27 MICRONS MIN NICKEL PLATE OVER ZONE 3.  
0.76 MICRONS MIN GOLD PLATE OVER ZONE 1.  
1 MICRON MIN TIN PLATE OVER ZONE 2.
- 6 HOT-DIPPED PRETIN
- 7 1.27 MICRON MIN NICKEL PLATE OVER ZONE 3.  
2.5 - 5.1 MICRONS ELECTRO-TIN PLATE OVER ZONE 3
- 8 0.76 MICRONS MIN NICKEL PLATE OVER ZONE 3 PER QQ-N-290  
1.5 - 2.54 MICRONS SILVER PLATE OVER ZONE 3.
- 9 SERRATIONS CAN BE MULTILOCK OR TWO SLOTS
- 10. WIRE RANGE: 0.12-0.20 mm<sup>2</sup> (26-24 AWG)
- 11. INSULATION RANGE: 0.9-1.4 mm (.035-.055) DIA
- 12 LUBRICATE
- 13. OMISSION OF 6 CONTACTS MAX PER REEL OF 5000PCS.



THIS DRAWING IS A CONTROLLED DOCUMENT.

|             |  |
|-------------|--|
| DIMENSIONS: | TOLERANCES UNLESS OTHERWISE SPECIFIED: |
| mm          | 0 PLC ±0.5                             |
|             | 1 PLC ±0.25                            |
|             | 2 PLC ±0.15                            |
|             | 3 PLC ±0.15                            |
|             | 4 PLC ±                                |
|             | ANGLES ±2°                             |
| MATERIAL    | FINISH                                 |
| SEE TABLE   | SEE TABLE                              |

| REELING | FINISH | SPRING MATERIAL | PIN BODY        | LOOSE PIECE | PART NUMBER |
|---------|--------|-----------------|-----------------|-------------|-------------|
| A       | 12     | 7               | STAINLESS STEEL | BRASS       | 1-163089-3  |
| A       | 1      | 7               | STAINLESS STEEL | BRASS       | 1-163089-1  |
| B       | 1      | 7               | STAINLESS STEEL | BRASS       | 1-163090-0  |
| A       | 7      | 7               | STAINLESS STEEL | BRASS       | 163090-1    |
| A       | 1      | 7               | STAINLESS STEEL | BRASS       | 163089-9    |
| B       | 7      | 7               | STAINLESS STEEL | BRASS       | 163089-8    |
| B       | 7      | 7               | STAINLESS STEEL | BRASS       | 163089-1    |

|                  |               |          |                 |  |            |               |
|------------------|---------------|----------|-----------------|--|------------|---------------|
| DWN              | J. BRIGHT     | 26/03/12 | TE Connectivity | TYPE III+, SIZE 16, PIN ASS'Y<br>26-24 AWG, 0.9-1.4mm DIA INSULATION |            |               |
| CHK              | M. GREENER    | 26/03/12 |                 |  |            |               |
| APVD             | D. PENNINGTON | 26/03/12 |                 |  |            |               |
| PRODUCT SPEC     | 108-10042     |          |                 |  |            |               |
| APPLICATION SPEC | 114-10004     |          | SIZE            | CAGE CODE  | DRAWING NO | RESTRICTED TO |
| WEIGHT           | -             |          | A2              | 100779   | C-163089   | -             |
| CUSTOMER DRAWING |               |          | SCALE           | NTS  | SHEET      | 1 OF 1        |
|                  |               |          |                 |  |            | REV AC        |