

REVISED PER		DATE	APP'D
A	0010-0276-94	7/12/94	SG HR
B	0010-0313-94	8/4/94	SG HR
C	0010-0407-94	2/1/95	SG HR
D	0010-0200-95	3/22/95	RB HR
E	0010-1143-94	8/11/95	RB HR
F	0010-1531-95	1/28/95	RB HR

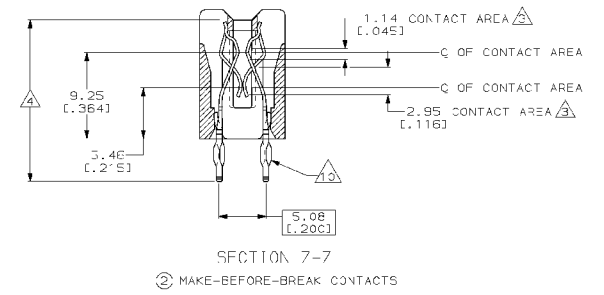
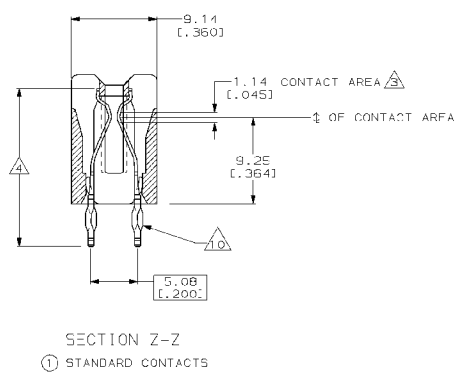
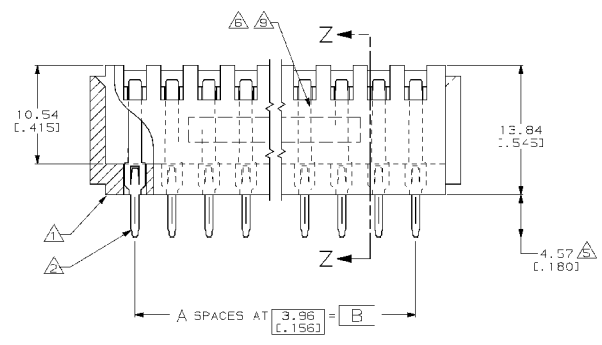
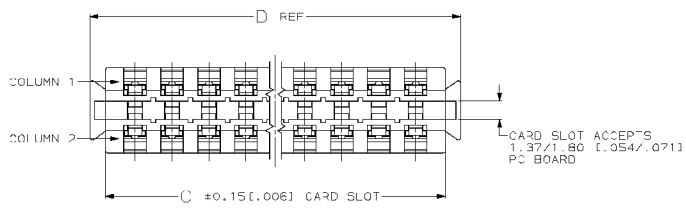
CONTACT LOADING CHART (CARD S.O.I VIEW)

PART NO	COL/ROW	1	2	3	4	5	6	7	8	9	0	1	2	3	4	5	6	7	8
-1	1	①	②	①	②	①	②	①	②	①	②	①	②	①	②	①	②	①	②
	2	①	②	①	②	①	②	①	②	①	②	①	②	①	②	①	②	①	②

- △ MATERIAL: VALOX 420 SE0, BLACK
- △ MATERIAL: STANDARD - COPPER NICKEL SHORTING BERYLLIUM COPPER
- △ GOLD PL .00076 L.000030. MIN THK PER MIL-G-45204
- △ NICKEL PL .00127 L.0000501 MIN THK PFR Q3-N-290
- △ GOLDER PL .00076 L.0000301 MIN THK.
- △ STAMPED P/N & DATE CODE.
- 7. OPTIONAL: KEYING PLUG FOR INTERCONTACT KEYING IS 118982-1
- 8. OPTIONAL: CARD GUIDE (BASE NO 1171ES)
- △ ALL PARTS ASSEMBLED IN MEXICO MUST BE STAMPED "ASSY IN MEXICO". THE WORD "MEXICO" CAN BE SUBSTITUTED ONLY WHERE PART SIZE PROHIBITS STAMPING "ASSY IN MEXICO". THK PFR 115-5005, APPROX WHERE SHOWN, SIDE OPTIONAL.
- △ ACTION PIN REQUIRES 2.31(.084) MIN THK PC BOARD.

REQUIRED HOLE DIAMETER TOLERANCES FOR COMPLIANT SECTION

HOLE DIA	PLATING THICKNESS		HOLE DIAMETER		COPPER HARDNESS (KNCOP)	HOLE DIA MIN
	COPPER	TIN/LEAD	AFTER PLATING	AFTER REFLOW		
1.15mm [.0453]	0.03-0.08 [.001-.003]	0.008 MIN [.0003] MIN	0.34-1.03 [.037-.043]	0.8-4-1.09 [.0036-.043]	150 MAX	1.57 [.062]
1.15mm [.0453]	1.15 [.0453]		NOT PLATED THRU			1.55 [.061]



118.21 [4.654]	114.91 [4.524]	106.99 [4.212]	27	28	536234-1
D	C	B	A	POSN	PART NO
Dwg No: SCALE: DIMEN: UNLESS SPECIFIED DIMENSIONS IN mm (INCHES) TOLERANCES: .01 2 PLS DEC ± 0.25 (.010) ANGLES ±		DR 10-PFR-41 2 L. LOW CHC 7/12/94 H. ROSE APPN 7/12/94 H. ROSE		AMP INCORPORATED Harrisburg, PA 17105-3600	
MATERIAL: FINISH: APPLICATION SPEC: WEIGHT:		AMP 7/12/94 H. THORNA PRODUCT SPEC: -		NAME: CONNECTOR, AMP PACE .156x.200 SELECT LOAD	
THIS DRAWING IS A CONTROLLED DOCUMENT FOR AMP INCORPORATED. IT IS SUBJECT TO CHANGE AND ITS CONTROLLING ORGANIZATION SHOULD BE CONTACTED FOR THE LATEST REVISION.		SIZE: CARE CODE: DRAWING NO: D 00779 C-536234		SHEET 1 OF 1	