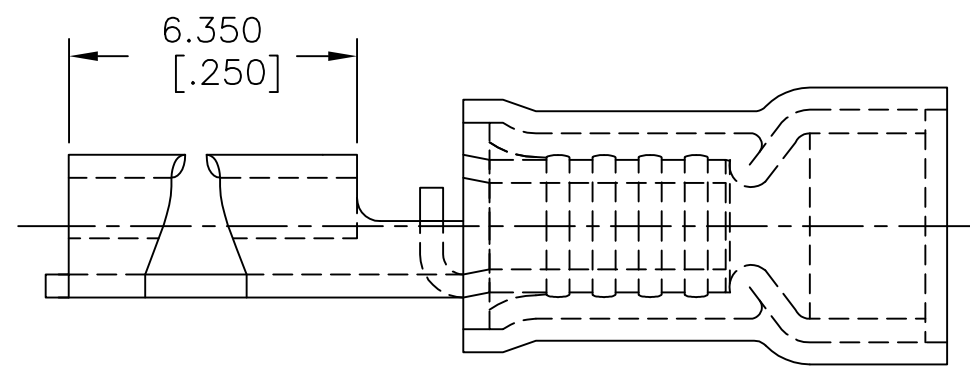
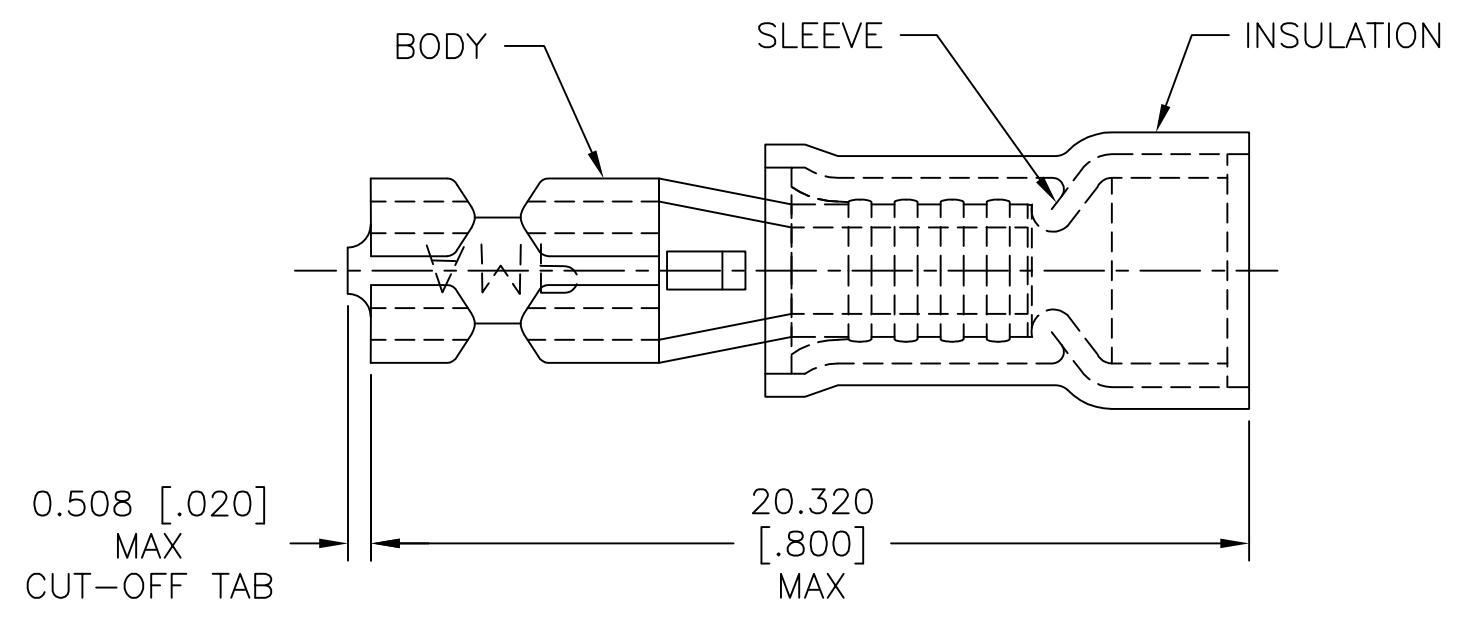
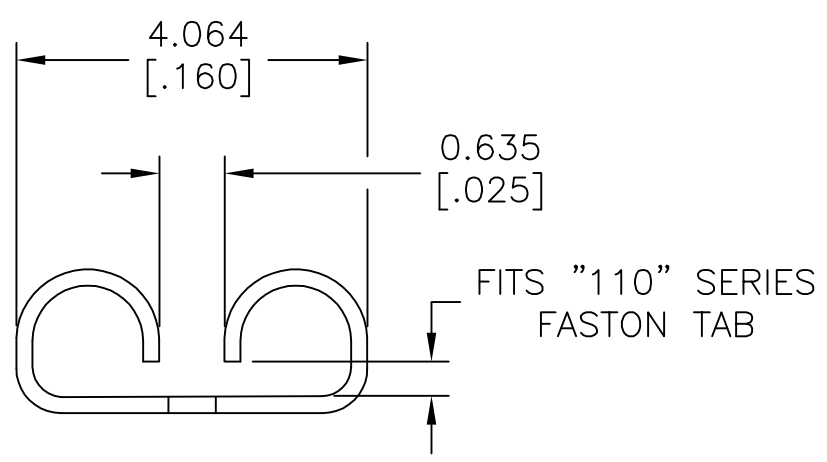


REVISIONS					
P	LTR	DESCRIPTION	DATE	DWN	APVD
	F	REV PER 0G3A-0176-02	08APR02	JR	TM
	F1	REVISED PER ECO-17-013525	14SEP2017	RS	DR



- 1 INSULATION $\phi 3.429[\phi.135]$ MAX.
- 2 FITS TAB .407[.016] THK.



5000	TAPE MOUNTED	640921-2
1000	LOOSE PIECE	640921-1
QTY	PACKAGE TYPE	PART NO

AMP INCORPORATED CUSTOMER SERVICE SYSTEMS		MAX RECOMMENDED OPERATING TEMPERATURE: 105°C [221°F]	THIS DRAWING IS A CONTROLLED DOCUMENT.		DWN L OLMEDA 13NOV95	TE Connectivity RECEPTACLE, 110 SERIES, FASTON™, PIDG™ WIRE SIZE: 22-18 AWG			
FOR ADDITIONAL PRODUCT INFORMATION OR COPIES OF DRAWINGS AND TECHNICAL DOCUMENTS	PRODUCT INFORMATION CENTER 1-800-522-6752	VOLTAGE RATING: -	DIMENSIONS: mm [INCHES]	TOLERANCES UNLESS OTHERWISE SPECIFIED:	CHK M ELLIS 15NOV95				
FOR APPLICATION TOOLING INFORMATION	TOOLING ASSISTANCE CENTER 1-800-722-1111	WIRE CROSS SECTIONAL AREA RANGE, 0.26-0.96mm²[509-1900] STRANDED		0 PLC ± - 1 PLC ± - 2 PLC ± - 3 PLC ± 0.127[.005] 4 PLC ± - ANGLES ± -	APVD B BARE 15NOV95	APPLICATION SPEC			
FOR ORDER ENTRY	1-800-526-5142	MATERIAL BODY-BRASS .016, SLEEVE-COPPER, INSULATION-NYLON		FINISH BODY&SLEEVE: PRE-TIN INSULATION: COLOR-RED	WEIGHT -	SIZE A3	CAGE CODE 00779	DRAWING NO C=640921	RESTRICTED TO -
CUSTOMER DRAWING						SCALE NTS	SHEET 1 OF 1	REV F1	