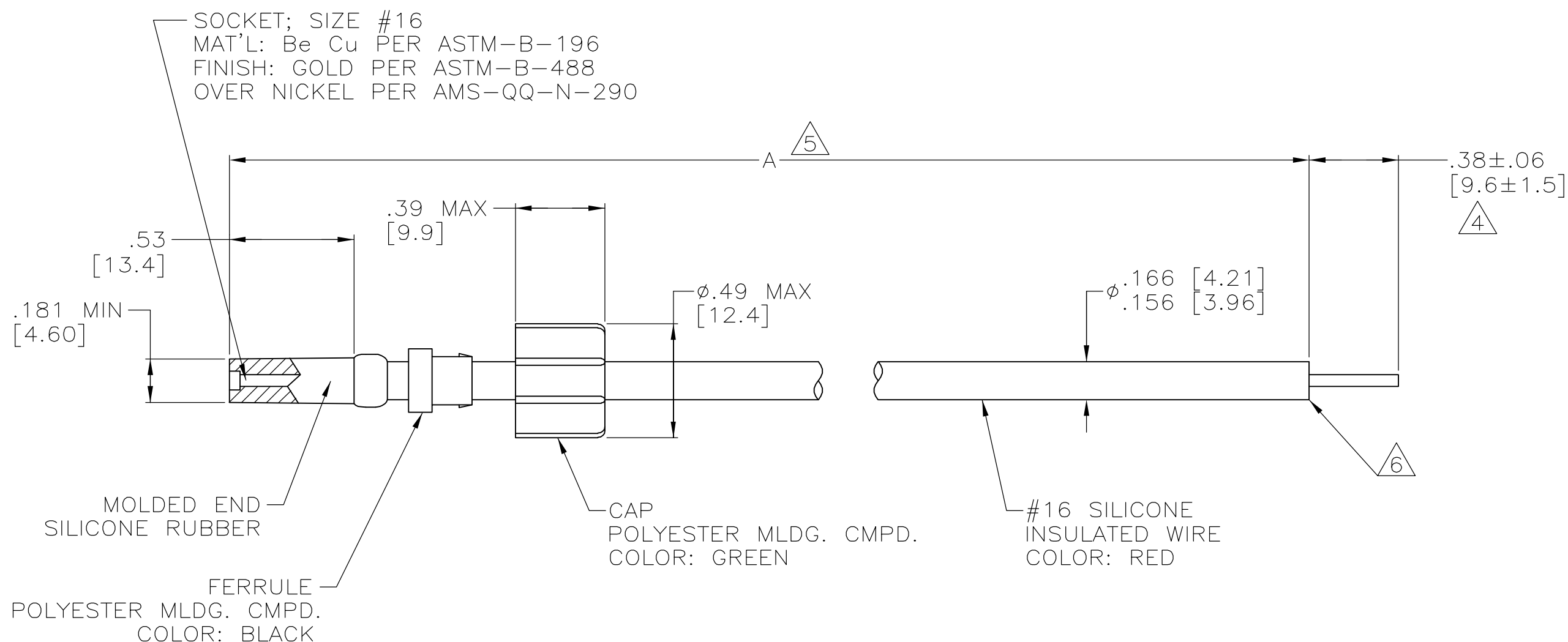


THIS DRAWING IS UNPUBLISHED. RELEASED FOR PUBLICATION - .N/A .  
 © COPYRIGHT N/A BY TYCO ELECTRONICS CORPORATION. ALL RIGHTS RESERVED.

LOC	DIST	REVISIONS					
		P	LTR	DESCRIPTION	DATE	DWN	APVD
DF	S0		D	REV PER ECO-05-002584	07-05	AA	DE

1. MARKED PER MIL-STD-130; .09 HIGH CHARS.
  2. TO MATE WITH AMP LGH-1/2 RECEPTACLE WITH .53 [13.4] BARREL DEPTH.
  3. OPERATING VOLTAGE: 10 KVDC AT 0 TO 70,000 FEET, -55°C TO 125°C.
- △4 PIGTAIL IS SOLDER DIPPED. (868399-1,-2, & -3 ONLY)
  - △5 TOLERANCE OF LEAD LENGTH:  
UP TO 24 INCHES [609.6] = ±.12 [±3.0]  
24 INCHES [609.6] & UP = ±1%
  - △6 INSULATION CUT BUT NOT REMOVED. (5-868399-3 ONLY)



△6	15.00 [381.0]	5-868399-3
△4	15.00 [381.0]	868399-3
△4	36.00 [914.4]	868399-2
△4	24.00 [609.6]	868399-1
REMARKS	A DIM △5	PART NO.

THIS DRAWING IS A CONTROLLED DOCUMENT.		DWN	30-JUL-90	 Tyco Electronics Corporation Harrisburg, Pa 17105-3608
DIMENSIONS: INCHES		CHK	28-AUG-90	
TOLERANCES UNLESS OTHERWISE SPECIFIED:		APVD	28-AUG-90	
0 PLC ± - 1 PLC ± - 2 PLC ± .02 [0.5] 3 PLC ± - 4 PLC ± - ANGLES ± -		NAME		
MATERIAL SEE CALLOUTS		FINISH SEE CALLOUTS		LEAD ASSY POS STOP, SGL END (RED) LGH-1/2
CUSTOMER DRAWING		SCALE	2:1	RESTRICTED TO
		SIZE	A2	
		CAGE CODE	00779	
		DRAWING NO	C=868399	
		SHEET	1 OF 1	
		REV	D	

868399

A