

REVISIONS	DATE	BY	APPV
B NEW DRAWING	07SEP2019	MK	FE
B1 SEE PCN-21-100433	02FEB2021	MK	JH

- NOTES
Bemerkungen
- TE CONNECTIVITY (TE) ORDER-NUMBER.
TE Connectivity (TE) Bestellnummer
 - TE SINGLE PART NUMBER
TE Einzelteilnummer
 - REVISION OF THE MOLD
Werkzeugänderungsindex
 - MATERIAL MARKING ACCORDING TO VDA 260
Materialkennzeichnung nach VDA 260
 - PRODUCTION DATE
Produktionsdatum
 - MOLD CAVITY MARKING
Nestmarkierung
 - CONTACT CAVITY NUMBERING
Kammernummerierung
 - DIFFERENT CODINGS
Unterschiedliche Kodierungen
 - INTERFACE ACCORDING TO
TE-SPECIFICATION 114-18085-030. REV.: B
Schnittstelle gemäß TE-Spezifikation 114-18085-030. Rev.: B
 - GATE MARK
Anspritzpunkt
 - EXTRACTION FORCE OF STITCHING CONTACTS MIN. 50N.
TESTING SPEED: 25 MM / MIN.
Auszugskraft der Steckkontakte min. 50N.
Testgeschwindigkeit: 25 mm / min.
 - PACKED IN TRAY OR SPECIAL FORM ACCORDING TO
TE PACKAGING SPECIFICATION V2331098
Verpackt im Tray oder Spezialform nach
TE Verpackungsspezifikation V2331098
 - REQUIREMENT FOR SEALING AREA ON CUSTOMER
HOUSING: $\sqrt{0.1}$ R26.3 μ m
Anforderungen für Dichtungsbereich am Kundengehäuse:

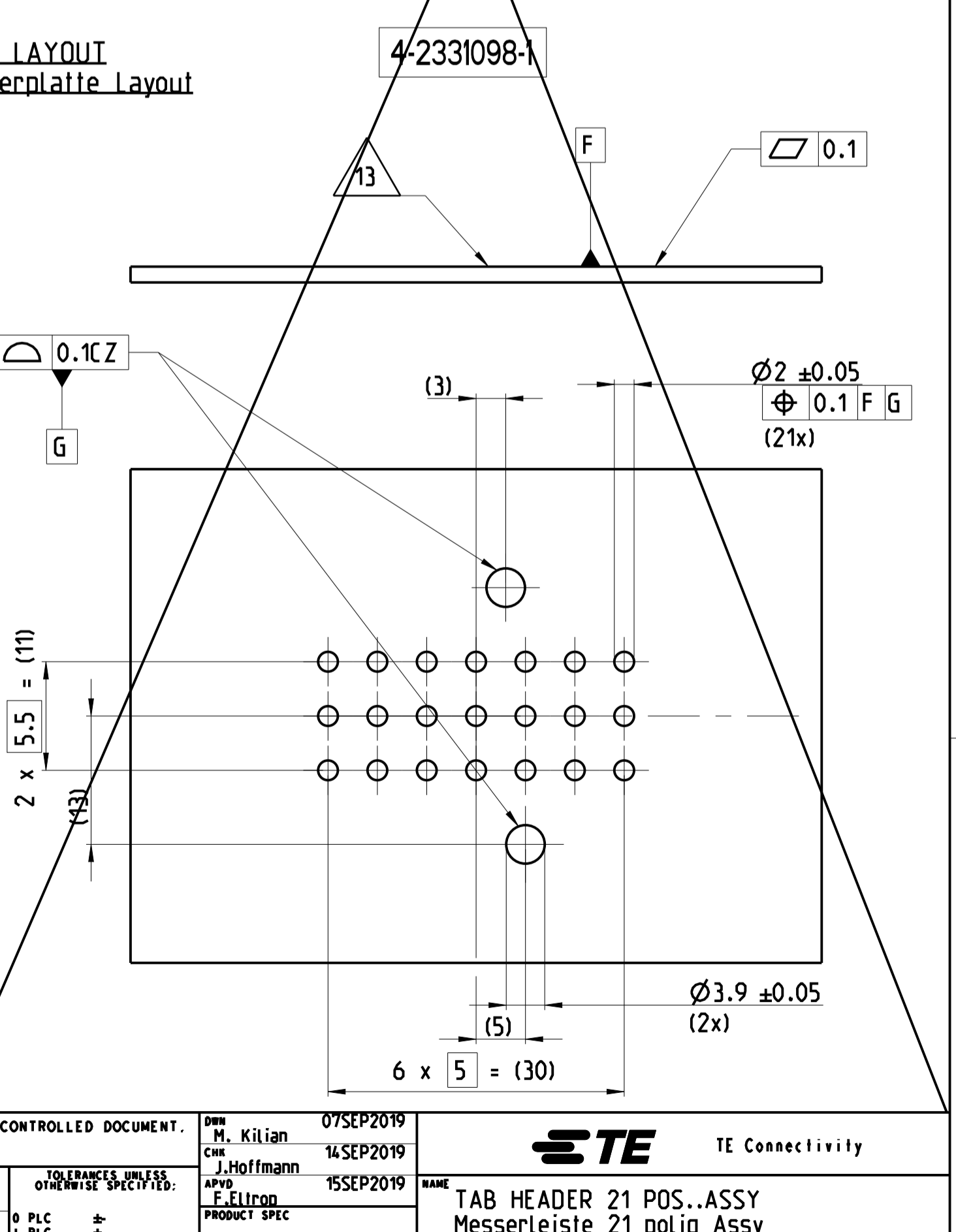
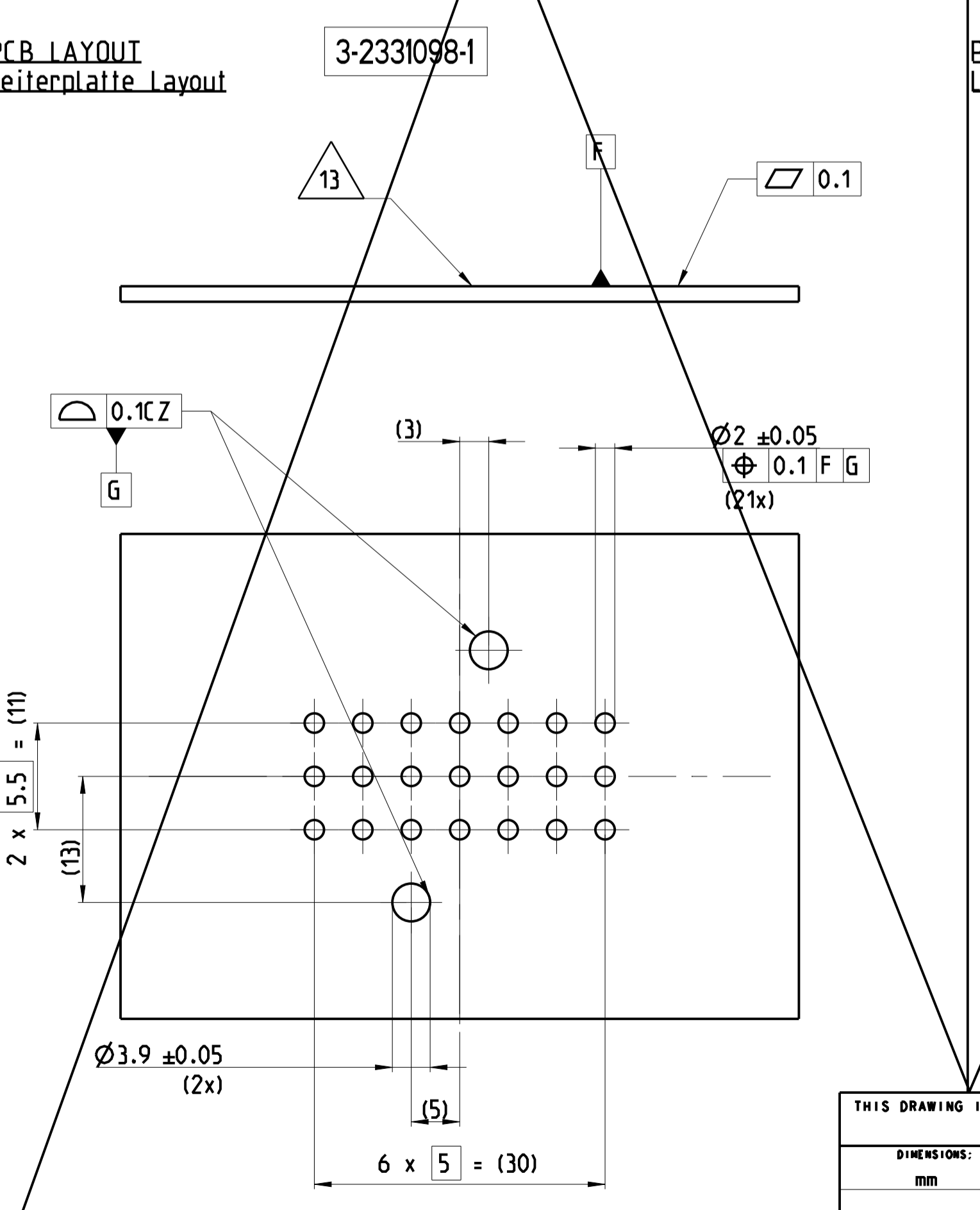
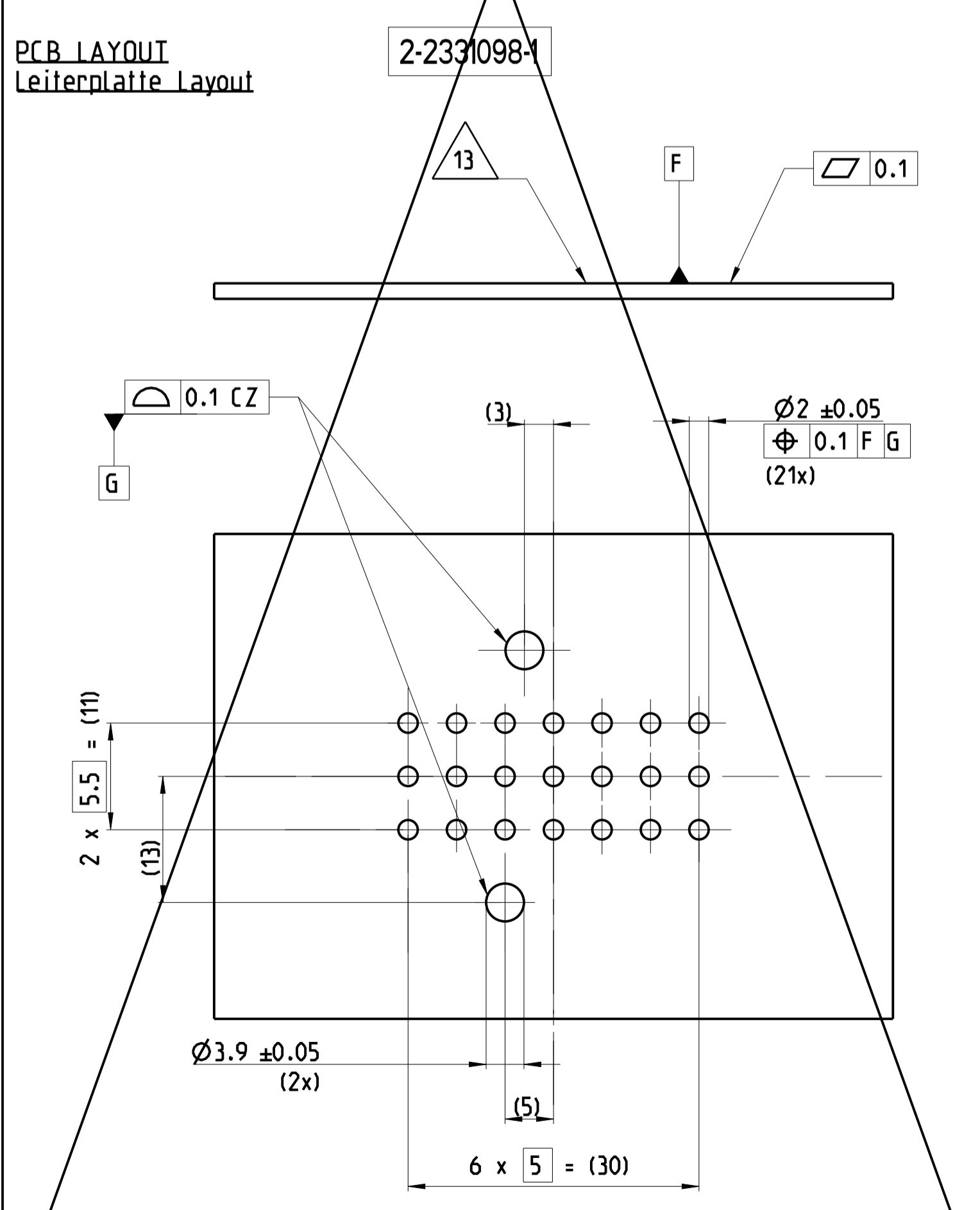
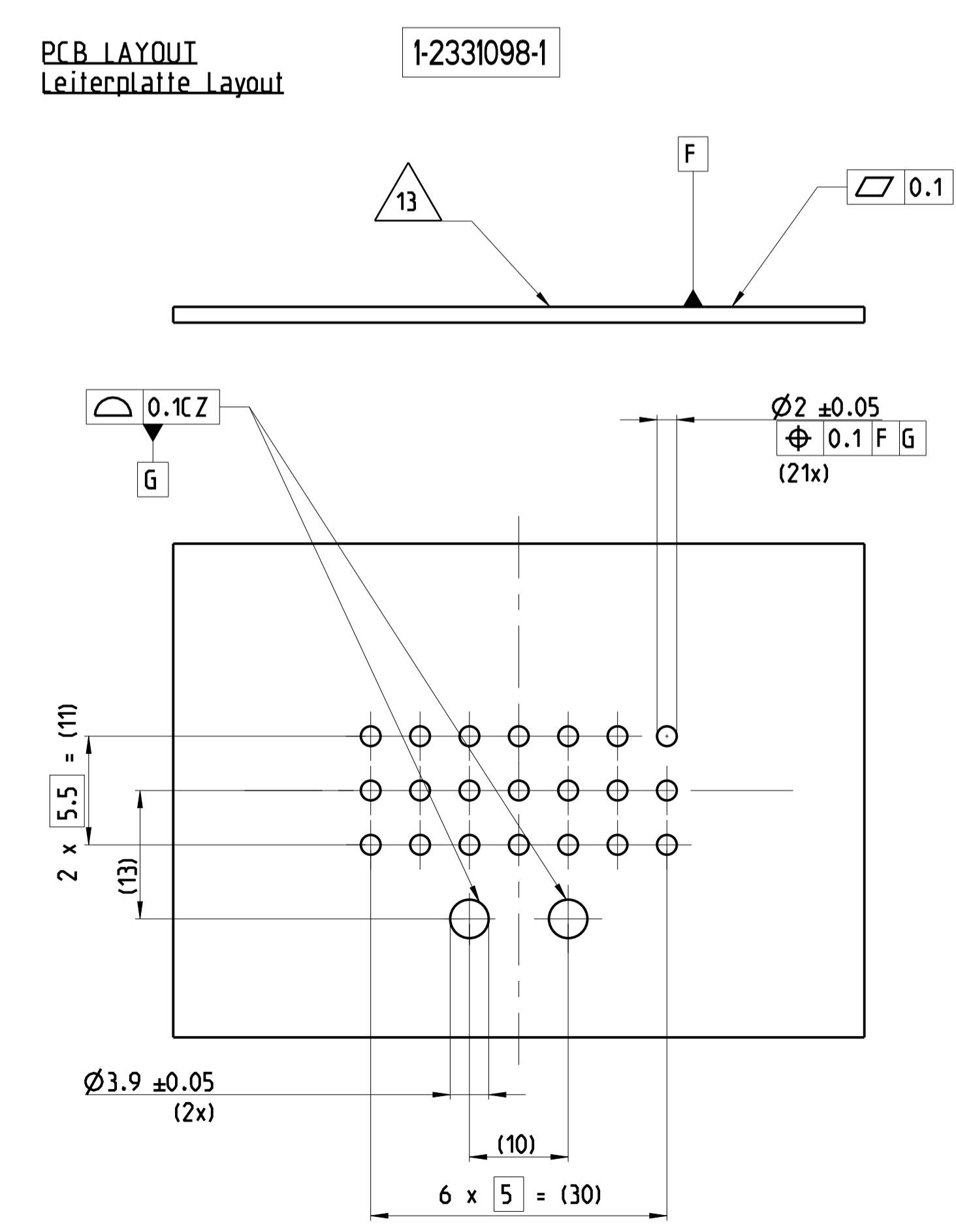
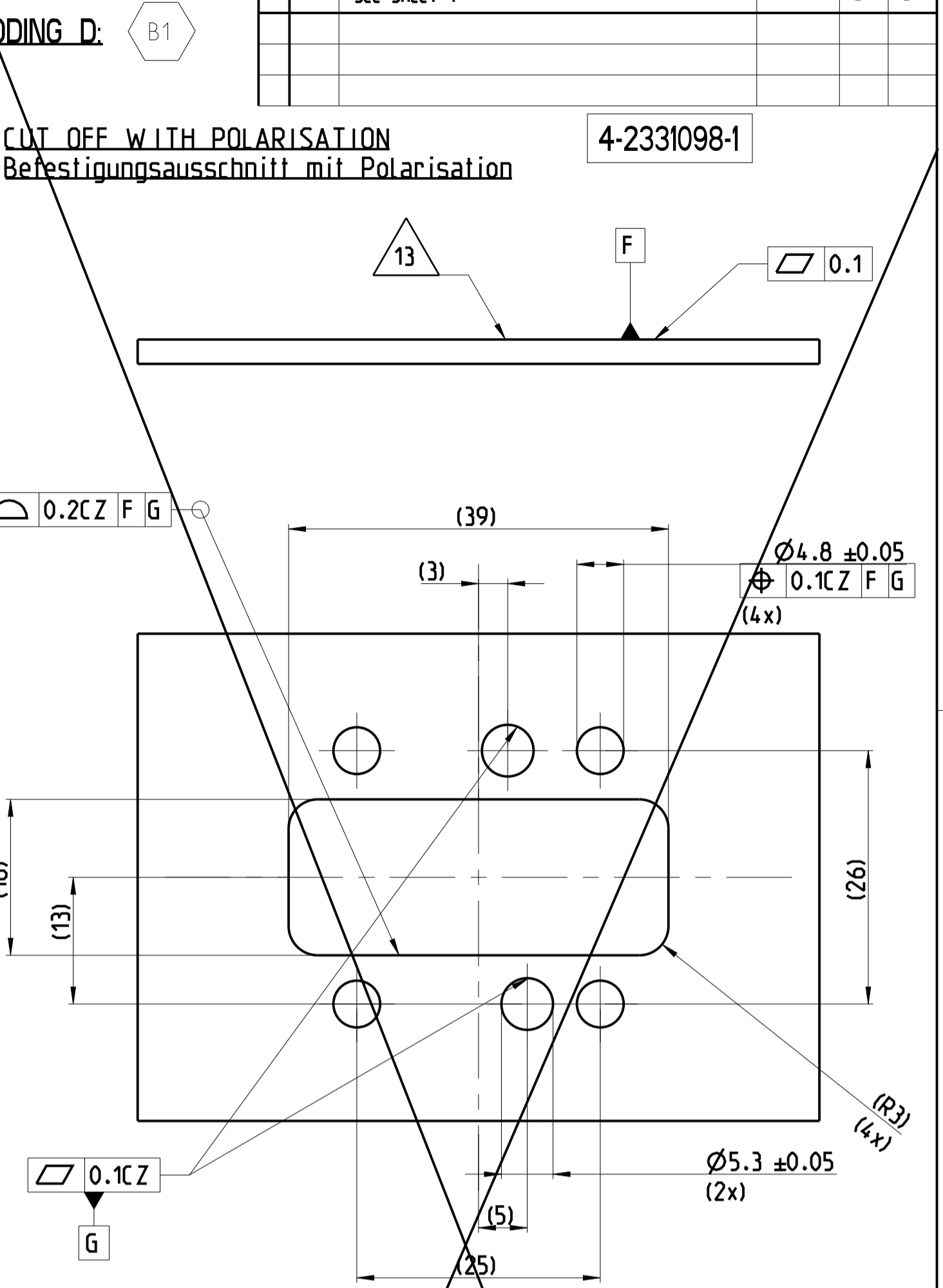
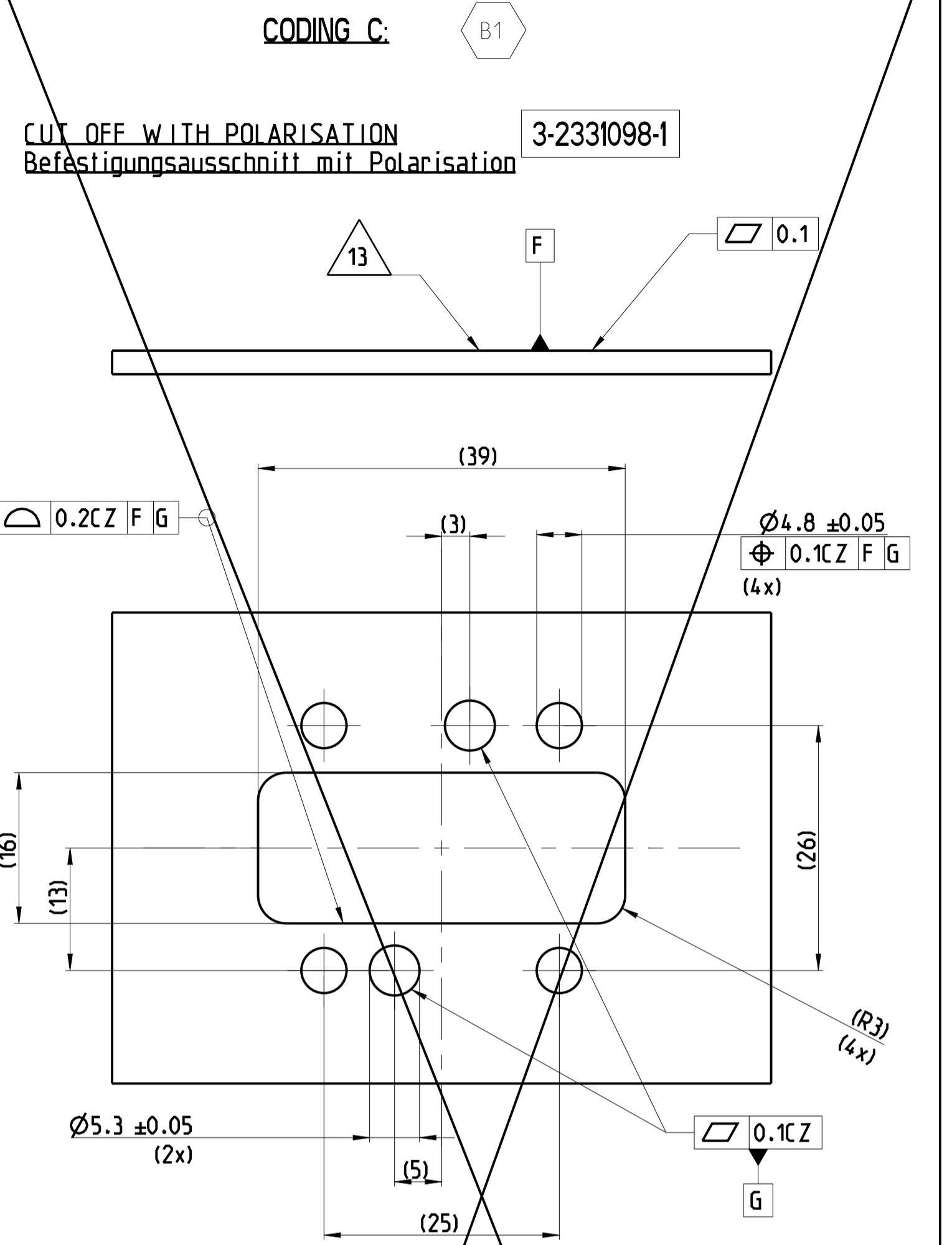
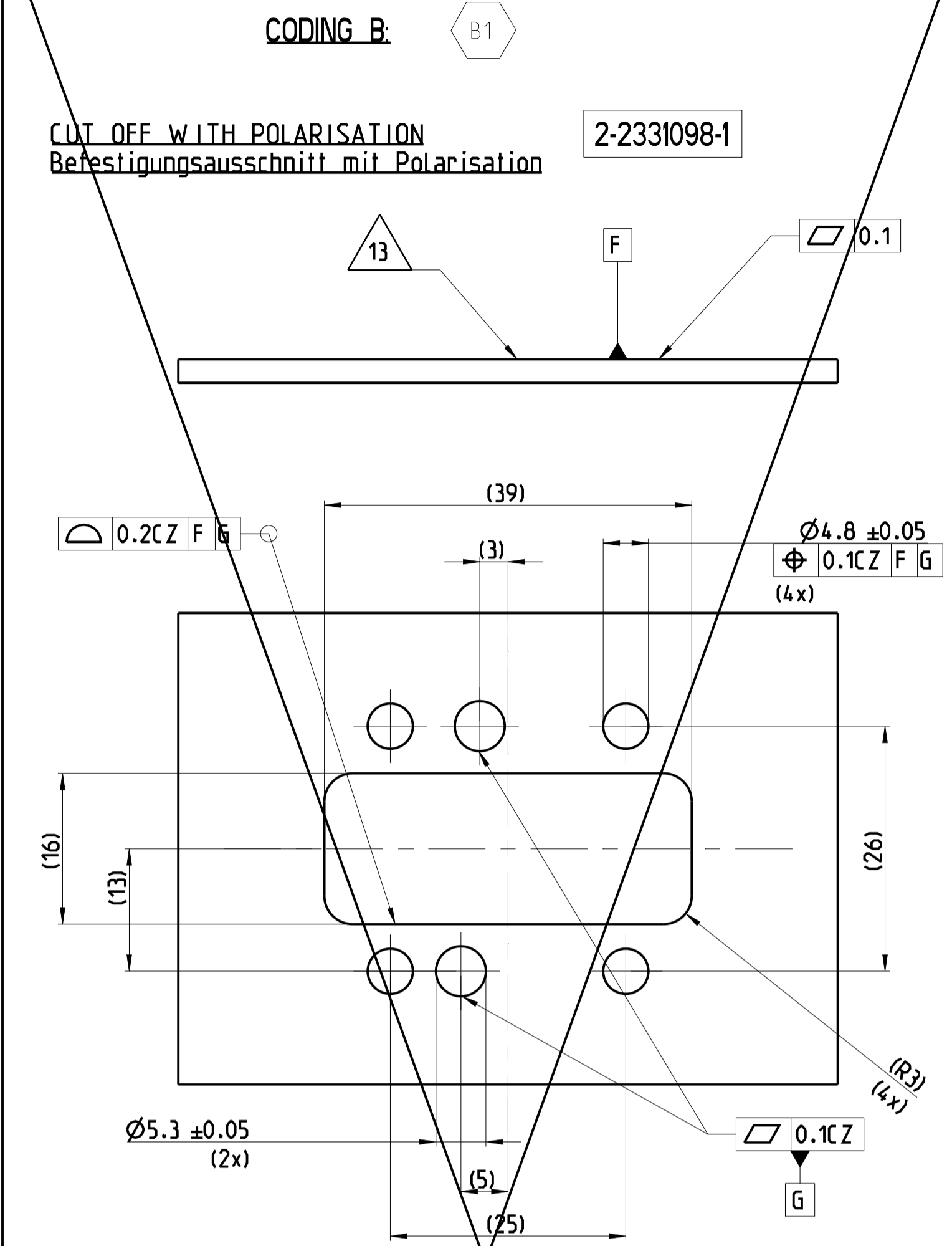
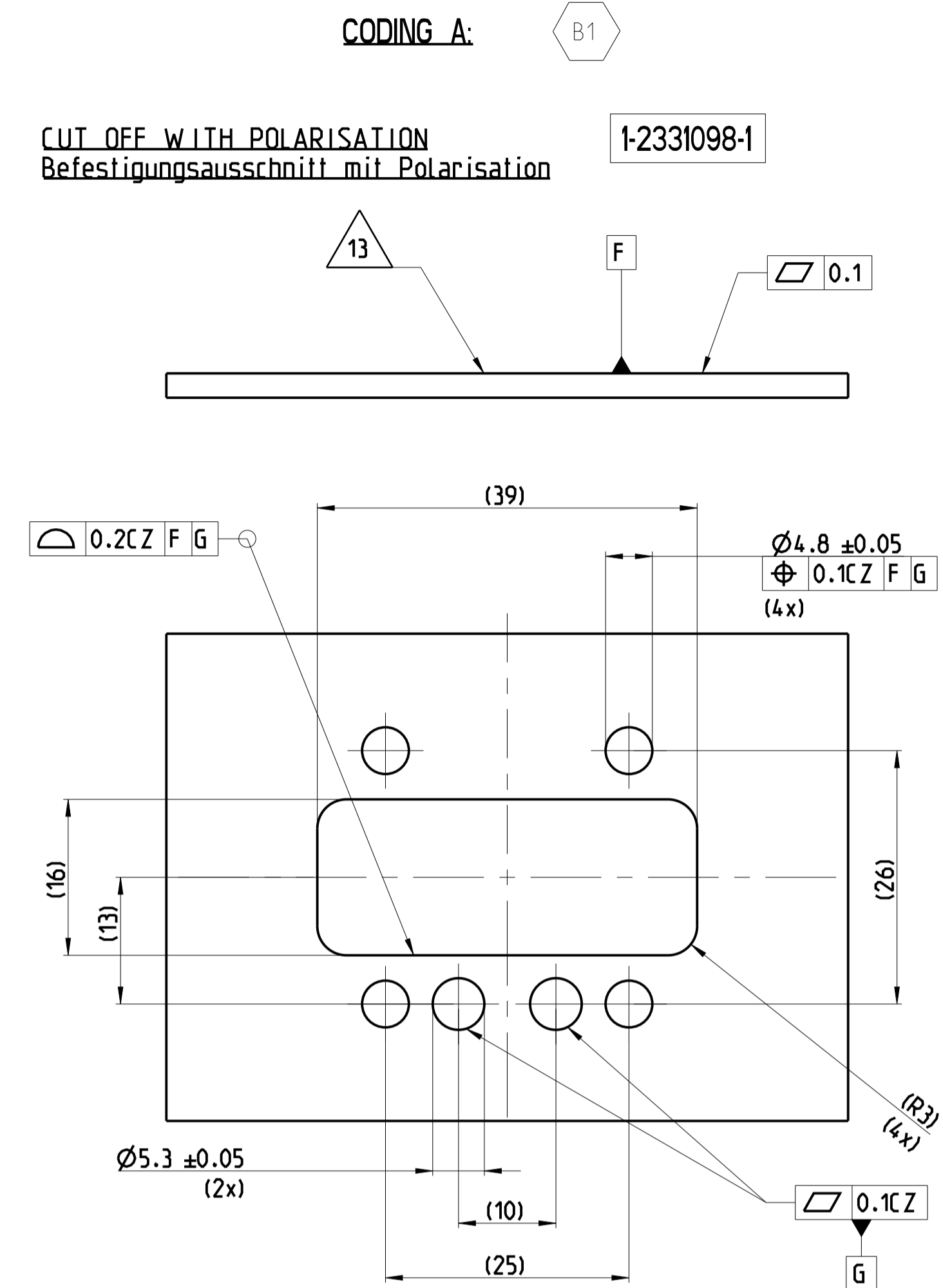
REVISION OF EACH ASSY NO (WHEN BLANK, USE DWG REVISION)	REVISION	DESCRIPTION	DATE	BY	APPV		
D	4-2331098-1	A	TAB 3.0x0.8x31.9[mm] Flächstecker SEALING Dichtung HOUSING Gehäuse	21	Cu Zn 30 Ag / Sn SILICON SHORE A Silikon-Kautschuk PBT GF30	ORANGE ORANGE ORANGE LIGHT BLUE NATURAL	3 2 1
C	3-2331098-1	A	TAB 3.0x0.8x31.9[mm] Flächstecker SEALING Dichtung HOUSING Gehäuse	21	Cu Zn 30 Ag / Sn SILICON SHORE A Silikon-Kautschuk PBT GF30	ORANGE ORANGE ORANGE LIGHT BLUE NATURAL	3 2 1
B	2-2331098-1	A	TAB 3.0x0.8x31.9[mm] Flächstecker SEALING Dichtung HOUSING Gehäuse	21	Cu Zn 30 Ag / Sn SILICON SHORE A Silikon-Kautschuk PBT GF30	ORANGE ORANGE ORANGE LIGHT BLUE NATURAL	3 2 1
A	1-2331098-1	B	TAB 3.0x0.8x31.9[mm] Flächstecker SEALING Dichtung HOUSING Gehäuse	21	Cu Zn 30 Ag / Sn SILICON SHORE A Silikon-Kautschuk PBT GF30	ORANGE ORANGE ORANGE BLACK SCHWARZ	3 2 1

THIS DRAWING IS A CONTROLLED DOCUMENT.
DIMENSIONS AND TOLERANCING PER GPS (ISO STANDARDS)
DIMENSIONS: MASSTÄBE: mm
TOLERANCES UNLESS OTHERWISE SPECIFIED:
DIN 16742 TOLERANCE GROUP T65
DIN EN ISO 8015:AD - DIN EN ISO 291
DIN EN ISO 14105

DATE: 07SEP2019
BY: M. Kilian
APPV: J. Hoffmann
DATE: 14SEP2019
DATE: 15SEP2019
NAME: E. Ellrod
PRODUCT SPEC: 108-94689
APPLICATION SPEC: 114-94616
WEIGHT: 42.49 g
CUSTOMER DRAWING

TE Connectivity
NAME: TAB HEADER 21 POS..ASSY
Messerleiste 21 polig Assy
SIZE: A1
CAGE CODE: 07079
DRAWING NO: 2331098
REVISION: B1
SHEET: 1 OF 2
REV: B1

REVISIONS				
P	LTN	DESCRIPTION	DATE	DRW APVD
-	SEE SHEET 1		-	-



THIS DRAWING IS A CONTROLLED DOCUMENT.

DIMENSIONS:	TOLERANCES UNLESS OTHERWISE SPECIFIED:	DRW: H. Kilian 07SEP2019	CHK: J. Hoffmann 14SEP2019	APVD: E. Ellron 15SEP2019
mm	0 PLC * 1 PLC * 2 PLC * 3 PLC * 4 PLC * ANGLES * FINISH *	NAME: TAB HEADER 21 POS..ASSY	PRODUCT SPEC: 108-94689	APPLICATION SPEC: 114-94616
MATERIAL: see part's list	WEIGHT: 42.49 g	SIZE: A1	CAGE CODE: 00779	DRAWING NO: C=2331098
	CUSTOMER DRAWING	SCALE: 2:1	SHEET: 2 OF 2	REV: B1