



Terminals & Splices > Terminal Housings, Insulation Sleeves & Blocks > Crimp Terminal Housings



Terminal Type: **Receptacle**

Connector & Housing Type: **Receptacle**

Number of Positions: **1**

Terminal Orientation: **Straight**

UL Flammability Rating: **UL 94V-2**

### Features

#### Product Type Features

Sealable	No
Connector & Contact Terminates To	Wire & Cable
Connector & Housing Type	Receptacle

#### Configuration Features

Number of Positions	1
---------------------	---

#### Body Features

Primary Product Color	Natural
-----------------------	---------

#### Contact Features

Terminal Type	Receptacle
Terminal Orientation	Straight
Contact Mating Retention	Without

#### Mechanical Attachment

Mating Alignment Type	Polarization
-----------------------	--------------

Mating Alignment	With
Connector Mounting Type	Cable Mount (Free-Hanging)

### Housing Features

Housing Material	Polyamide
------------------	-----------

### Dimensions

Product Width	9.5 mm
Product Length	25.3 mm[.996 in]
Wire Size	.8 – 2.5 mm <sup>2</sup>

### Usage Conditions

Operating Temperature Range	-40 – 105 °C[-40 – 221 °F]
-----------------------------	----------------------------

### Industry Standards

UL Flammability Rating	UL 94V-2
------------------------	----------

### Packaging Features

Packaging Method	Carton
------------------	--------

## Product Compliance

[For compliance documentation, visit the product page on TE.com>](#)

EU RoHS Directive 2011/65/EU	Compliant
EU ELV Directive 2000/53/EC	Compliant
China RoHS 2 Directive MIIT Order No 32, 2016	No Restricted Materials Above Threshold
EU REACH Regulation (EC) No. 1907/2006	Current ECHA Candidate List: JUNE 2023 (235) Candidate List Declared Against: JAN 2023 (233) Does not contain REACH SVHC
Halogen Content	Not Low Halogen - contains Br or Cl > 900 ppm.
Solder Process Capability	Not applicable for solder process capability

#### Product Compliance Disclaimer

This information is provided based on reasonable inquiry of our suppliers and represents our current actual knowledge based on the information they provided. This information is subject to change. The part numbers that TE has identified as EU RoHS compliant have a maximum concentration of 0.1% by weight in homogenous materials for lead, hexavalent chromium, mercury, PBB, PBDE, DBP, BBP, DEHP, DIBP, and 0.01% for cadmium, or qualify for an exemption to these limits as defined in the Annexes of Directive 2011/65/EU (RoHS2). Finished electrical and electronic equipment products will be CE marked as required by Directive 2011/65/EU. Components may not be CE marked. Additionally, the part numbers that TE has identified as EU ELV compliant have a maximum concentration of 0.1% by weight in homogenous materials for lead, hexavalent chromium, and mercury, and 0.01% for cadmium, or qualify for an exemption to these limits as defined in the Annexes of Directive 2000/53/EC (ELV). Regarding the REACH Regulation, the information TE provides

on SVHC in articles for this part number is based on the latest European Chemicals Agency (ECHA) 'Guidance on requirements for substances in articles' posted at this URL: <https://echa.europa.eu/guidance-documents/guidance-on-reach>

## Compatible Parts



TE Part # 2-180930-1  
250 FASTON HSG.,REC.,1 POS,RED



TE Part # 2238173-3  
250 FASTON,REC.,22-12 AWG,TPBR



TE Part # 2-180930-5  
250 FASTON HSG.,REC.,1 POS,BLACK



TE Part # 2-180930-0  
250 FASTON HSG.,REC.,1 POS, NATRUAL



TE Part # 969518-2  
250 FASTON HSG. REC. 1P NATURAL



TE Part # 2133857-3  
250 FASTON HSG.,FLAG,REC.,1 POS, BLACK



TE Part # 2238196-3  
FASTON 250 STD REC STR 18-14TPBR




TE Part # 881339-2  
SLEEVE FOR .250 SRS FASTON TAB




TE Part # 881339-3  
SLEEVE FOR .250 SRS FASTON TAB


## Also in the Series | FASTON 250



Compression Connectors(4)



Crimp Terminal Housings(142)



Insertion & Extraction Tools(6)



Magnet Wire Terminals(1)



PCB Terminals(135)



Quick Disconnects(445)



Splices(4)

## Customers Also Bought



TE Part #42731-2  
FASTON 250 REC TERMINAL 22-18  
TPBR LP



TE Part #5-160321-2  
FASTON 110 REC 22-20 AWG  
ELECTRO TPBR



TE Part #7-1393239-5  
RT31L024



TE Part #745508-3  
FERRULE SPLIT RING, HD



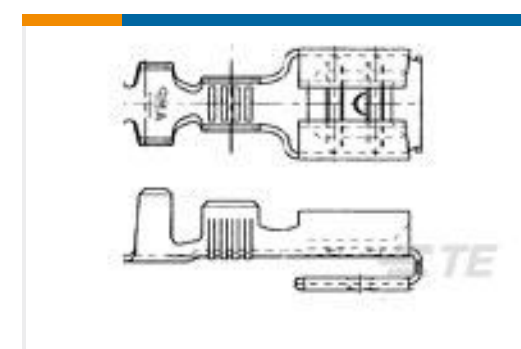
TE Part #880642-2  
RING TONGUE 1.0-2.5 MM2 0.61X14.  
60 TPBR



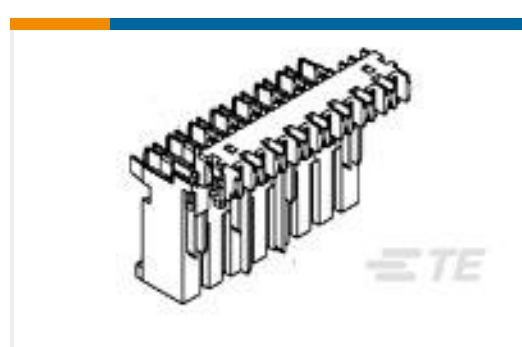
TE Part #3-2176327-9  
CRGP 0805 15K 1%



TE Part #5-1419111-1  
PT270730



TE Part #160739-2  
250 FASTON, PIGGYBACK REC., 18-14  
AWG, TPBR



TE Part #1-282002-4  
MONO-SHAPE MK I CONN. ASSY  
TAB 2P



TE Part #60573-1  
187 FASTON REC 24-20 TPBR

## Documents

### Product Drawings

250 FASTON POST INS., REC., 1 POS, NATRUAL

English

### CAD Files

3D PDF

3D

### Customer View Model

ENG\_CVM\_CVM\_280232-8\_W.2d\_dxf.zip



English

**Customer View Model**

[ENG\\_CVM\\_CVM\\_280232-8\\_W.3d\\_igs.zip](#)

English

**Customer View Model**

[ENG\\_CVM\\_CVM\\_280232-8\\_W.3d\\_stp.zip](#)

English

By downloading the CAD file I accept and agree to the [Terms and Conditions](#) of use.