



ANATECH ELECTRONICS INC
RF & Microwave Filters & Products

42.5 MHz LC Band Pass Filter

Part Number: AE42.5B6100



Electrical Specifications

Center Frequency: 42.5 MHz

Bandwidth: 4 MHz Min.

Insertion Loss: 3.0dB Max.

Return Loss: 14dB Min.

Rejection: $\geq 70\text{dB}$ @ 27.5 MHz

Rejection2: $\geq 70\text{dB}$ @ 57.5 MHz

Mechanical

Connector Type: SMA (F)

Dimensions: 3.75" X 1.0" x 0.5" .

Environmental

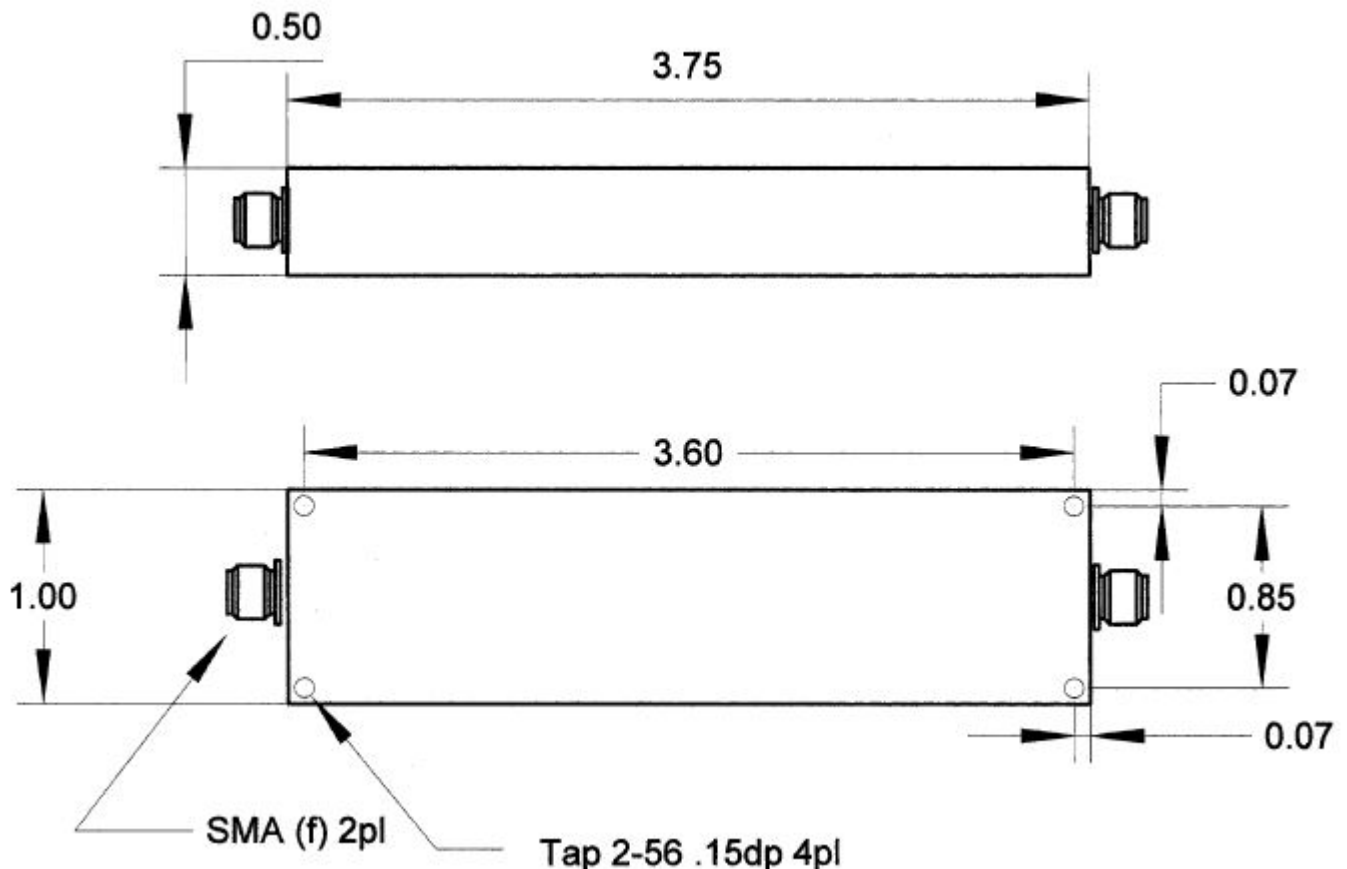
Operating Temperature: -25°C to +70°C

Storage Temperature: -40°C to +90°C

Shock: 10 G. 11ms

Vibration: 10 G. 5 to 200Hz

Outline Drawing:



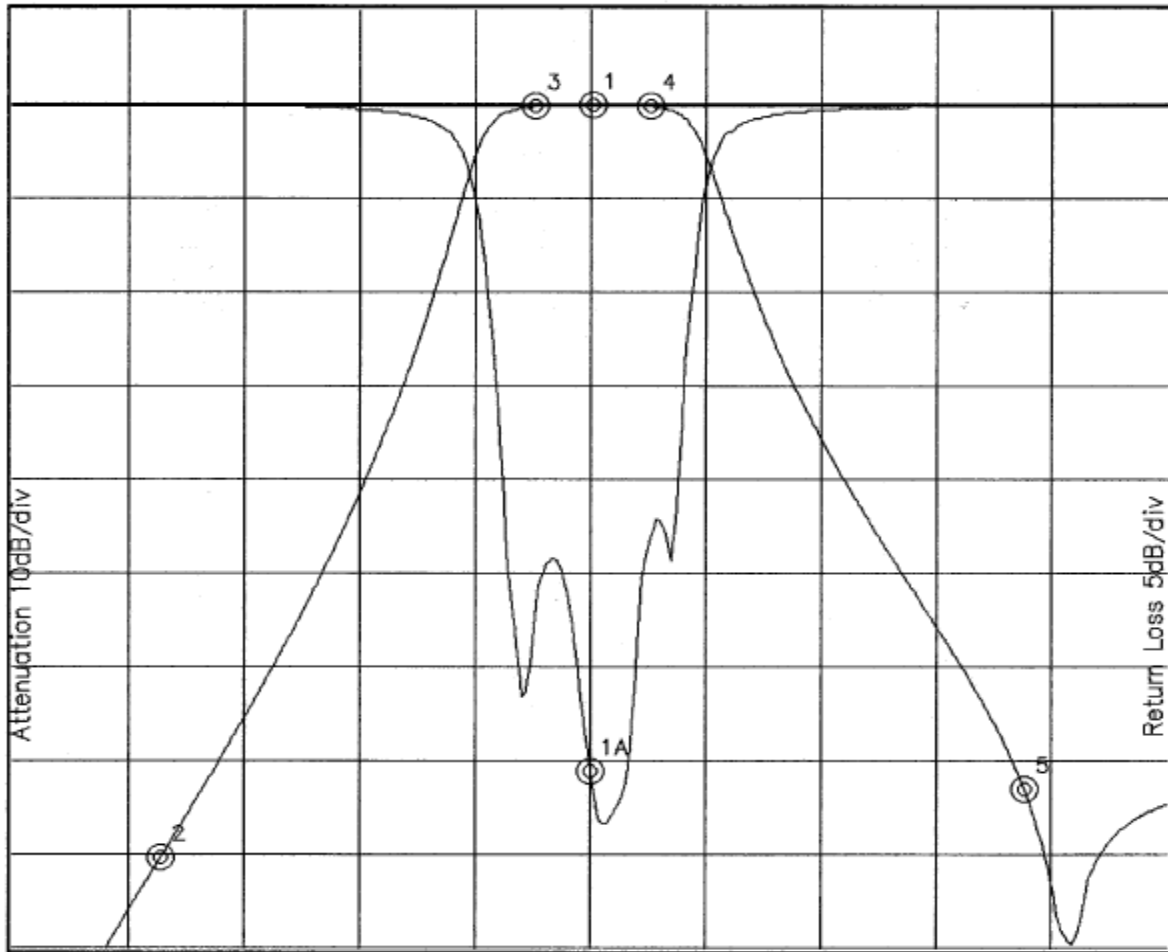


Response Plot:

B6100.lad

AUG 31, 2001

Attenuation/Return Loss



Attenuation Start: 22.50MHz Stop: 62.50MHz

Return Loss Start: 22.50MHz Stop: 62.50MHz

Offset -1.7391dB

Marker 1 Freq 42.532MHz Atten -0.036dB
 Marker 2 Freq 27.540MHz Atten -80.919dB
 Marker 3 Freq 40.529MHz Atten -0.300dB
 Marker 4 Freq 44.536MHz Atten -0.299dB
 Marker 5 Freq 57.524MHz Atten -73.460dB

Marker 1A Freq 42.468MHz Ret Loss -35.772dB