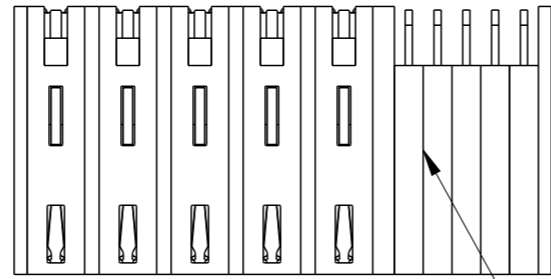
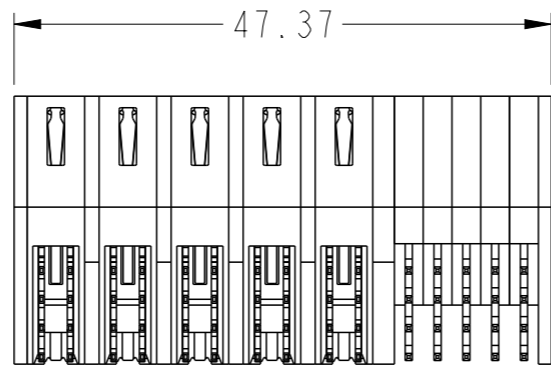
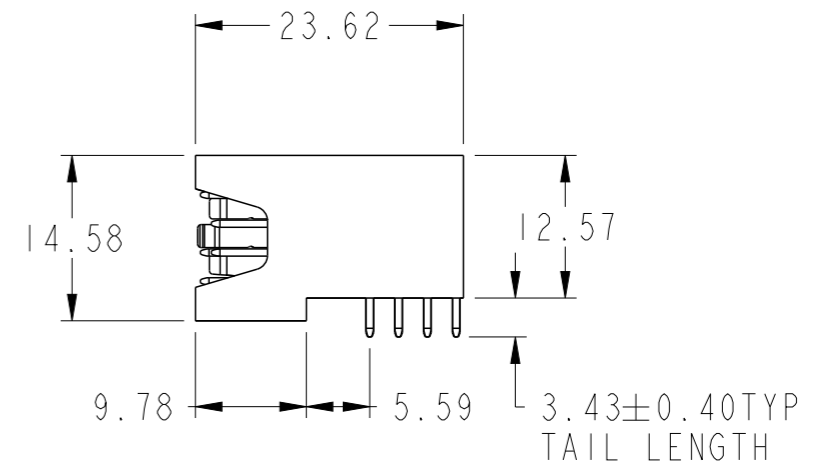
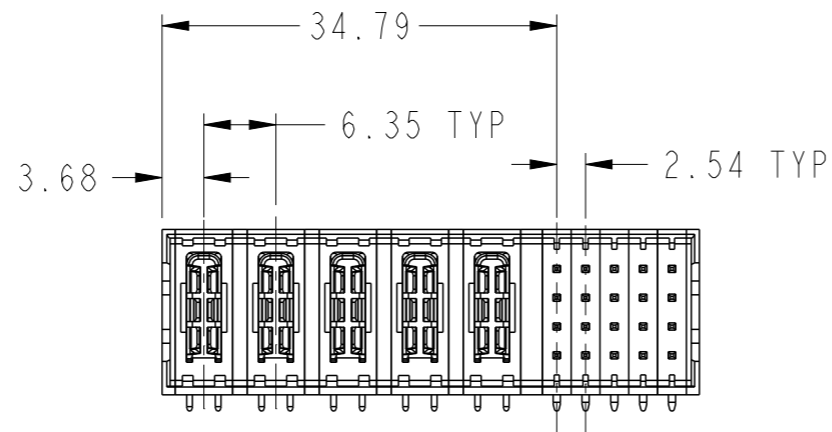


PRODUCT NUMBER SEE SHEET 2

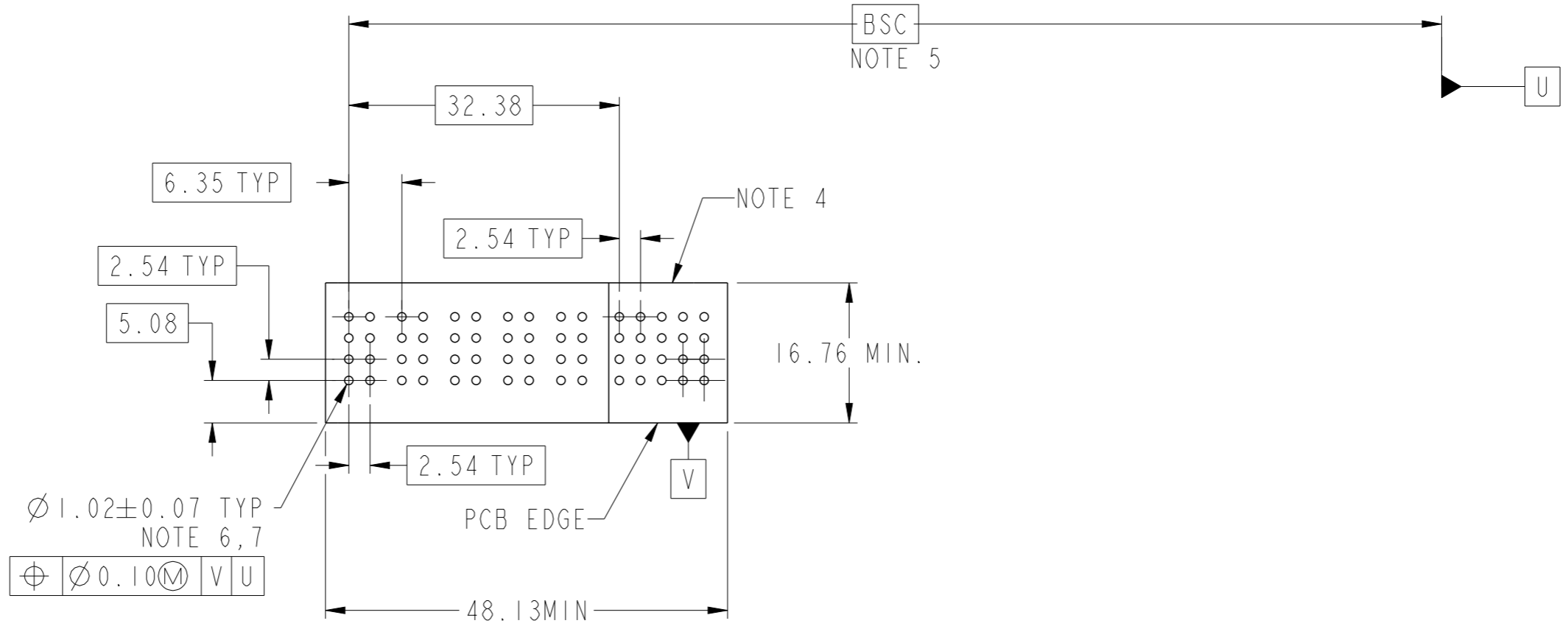


NOTE 1



spec ref	*	dr	Zhen-Hua Liu	2015/05/11	projection	MM	size	A3	scale	3:2	
tolerance std	ASME Y14.5	eng	Zhen-Hua Liu	2015/05/19			ecn no	-	rel level	Released	
TOLERANCES UNLESS OTHERWISE SPECIFIED		chr	Fancy Zhang	2015/05/19			product family	PwrBlade+			
surface	✓	appr	Pei-Ming Zheng	2015/05/19			title	5HP + 20S		rev	A
ASME Y14.5	linear			www.fci.com	cat. no.	Product - Customer Drw		dwg no	10106124-5005101	sheet 1 of 3	
	angular	0°	±2°								

PRODUCT NO.	ROWS	HIGH POWER					SIGNAL						
		E1	P1	P2	P3	P4	P5	1	2	3	4	5	E2
10106124-5005101LF	D C B A	H1	H1	H1	H1	H1	U	U	U	U	U	U	
		T	T	T	T	T	S	S	S	S	S		
		R	R	R	R	R	L	L	L	L	L		



⊕	⊕ 0.10	Ⓜ	V	U
---	--------	---	---	---

CODE	DESCRIPTION
HI	STD HIGH POWER CONTACT (3.43)
R	STD SIGNAL CONTACT, ROW A (3.43)
RL	MFBL SIGNAL CONTACT, ROW A (3.43)
S	STD SIGNAL CONTACT, ROW B (3.43)
SL	MFBL SIGNAL CONTACT, ROW B (3.43)
T	STD SIGNAL CONTACT, ROW C (3.43)
U	STD SIGNAL CONTACT, ROW D (3.43)
UL	MFBL SIGNAL CONTACT, ROW D (3.43)

dr	Zhen-Hua Liu	2015/05/11	projection	MM	size	A3	scale	3:2
eng	Zhen-Hua Liu	2015/05/19			ecn no			
chr	Fancy Zhang	2015/05/19			rel level			
appr	Pei-Ming Zheng	2015/05/19	product family	PwrBlade+	Released			
			title 5HP + 20S RA STB PLUG		dwg no 10106124-5005101		rev A	
www.fci.com			cat. no.		Product - Customer Drw			sheet 2 of 3

1

2

3

4

A

B

C

D

A

B

C

D

NOTES:

- 1) "FCI", PART NUMBER AND DATE CODE TO BE MARKED ON THIS SURFACE.
THE MARK CAN BE OMITTED IF THERE IS NOT ENOUGH SPACE ON THIS SURFACE.
- 2) MATERIALS:
-HOUSING - GLASS FILLED WITH HIGH TEMP THERMOPLASTIC, UL94V-0.
-SIGNAL CONTACT - COPPER ALLOY.
-POWER CONTACT - HIGH CONDUCTIVITY COPPER ALLOY.
- 3) PLATING SPECIFICATION : 10124315.
- 4) DENOTES CONNECTOR KEEP OUT ZONE.
- 5) DATUM AND BASIC DIMENIONS WERE ESTABLISHED BY CUSTOMER.
- 6) ALL HOLE DIAMETERS ARE FINISHED HOLE SIZES.
- 7) 1.15 ± 0.025 MM DRILLED HOLE PLATED WITH 0.00762MM MIN Sn
OVER 0.0254-0.0762MM Cu PLATING TO ACHIEVE A 1.02 ± 0.07 MM HOLE.
- 8) PRODUCT SPECIFICATION : GS-12-658.
APPLICATION SPECIFICATION : GS-20-141.
PACKAGE SPECIFICATION : GS-14-1502.



Copyright FCI.

dr	Zhen-Hua Liu	2015/05/11	projection 	MM 	size	A3	scale	3:2
eng	Zhen-Hua Liu	2015/05/19			ecn no	-		
chr	Fancy Zhang	2015/05/19	product family		PwrBlade+	rel level	Released	
appr	Pei-Ming Zheng	2015/05/19	title		5HP + 20S RA STB PLUG		dwg no	10106124-5005101
www.fci.com			cat. no.	Product - Customer Drw			rev	A
						sheet 3 of 3		

2

3

PDS: Rev :A

STATUS:Released

Printed: May 19, 2015