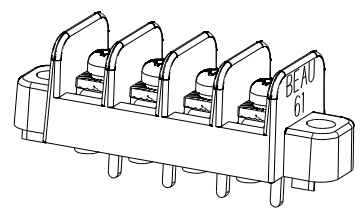
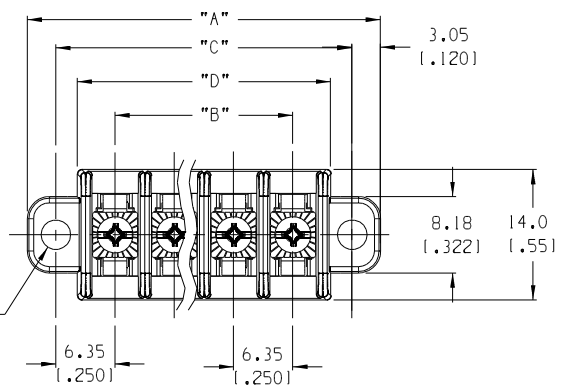
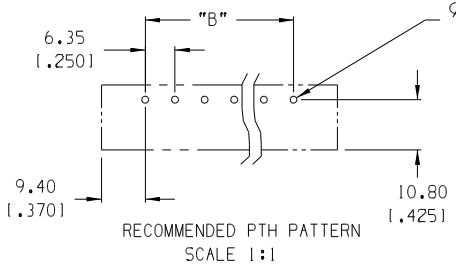
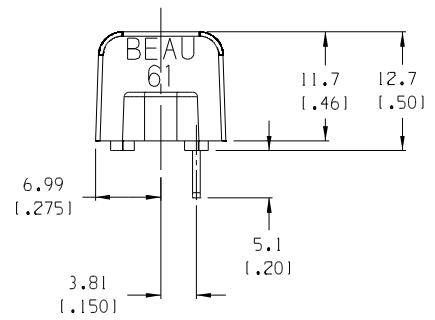
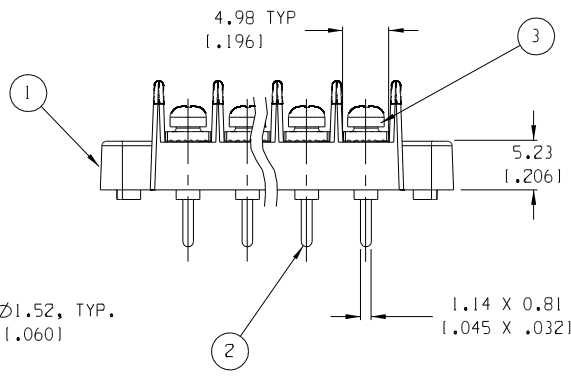


| QTY. OF CIRC. "XX" | DIM. "A" | DIM. "B" | DIM. "C" | DIM. "D" | MATERIAL # (-50 OPT.) |
|--------------------|---------------|----------------|----------------|---------------|-----------------------|
| 02 | 25.1 (1.991) | 6.35 (1.250) | 19.05 (1.750) | 14.4 (1.571) | 38610-7602 |
| 03 | 31.5 (1.241) | 12.70 (1.500) | 25.40 (1.000) | 20.8 (1.821) | 38610-7603 |
| 04 | 37.8 (1.491) | 19.05 (1.750) | 31.75 (1.250) | 27.1 (1.071) | 38610-7604 |
| 05 | 44.2 (1.741) | 25.40 (1.000) | 38.10 (1.500) | 33.5 (1.321) | 38610-7605 |
| 06 | 50.5 (1.991) | 31.75 (1.250) | 44.45 (1.750) | 39.8 (1.571) | 38610-7606 |
| 07 | 56.9 (2.241) | 38.10 (1.500) | 50.80 (2.000) | 46.2 (1.821) | 38610-7607 |
| 08 | 63.2 (2.491) | 44.45 (1.750) | 57.15 (2.250) | 52.5 (2.071) | 38610-7608 |
| 09 | 69.6 (2.741) | 50.80 (2.000) | 63.50 (2.500) | 58.9 (2.321) | 38610-7609 |
| 10 | 75.9 (2.991) | 57.15 (2.250) | 69.85 (2.750) | 65.2 (2.571) | 38610-7610 |
| 11 | 82.3 (3.241) | 63.50 (2.500) | 76.20 (3.000) | 71.6 (2.821) | 38610-7611 |
| 12 | 88.6 (3.491) | 69.85 (2.750) | 82.55 (3.250) | 77.9 (3.071) | 38610-7612 |
| 13 | 95.0 (3.741) | 76.20 (3.000) | 88.90 (3.500) | 84.3 (3.321) | 38610-7613 |
| 14 | 101.3 (3.991) | 82.55 (3.250) | 95.25 (3.750) | 90.6 (3.571) | 38610-7614 |
| 15 | 107.7 (4.241) | 88.90 (3.500) | 101.60 (4.000) | 97.0 (3.821) | 38610-7615 |
| 16 | 114.0 (4.491) | 95.25 (3.750) | 107.95 (4.250) | 103.3 (4.071) | 38610-7616 |
| 17 | 120.4 (4.741) | 101.60 (4.000) | 114.30 (4.500) | 109.7 (4.321) | 38610-7617 |
| 18 | 126.7 (4.991) | 107.95 (4.250) | 120.65 (4.750) | 116.0 (4.571) | 38610-7618 |
| 19 | 133.1 (5.241) | 114.30 (4.500) | 127.00 (5.000) | 122.4 (4.821) | 38610-7619 |
| 20 | 139.4 (5.491) | 120.65 (4.750) | 133.35 (5.250) | 128.7 (5.071) | 38610-7620 |
| 21 | 145.8 (5.741) | 127.00 (5.000) | 139.70 (5.500) | 135.1 (5.321) | 38610-7621 |
| 22 | 152.1 (5.991) | 133.35 (5.250) | 146.05 (5.750) | 141.4 (5.571) | 38610-7622 |
| 23 | 158.5 (6.241) | 139.70 (5.500) | 152.40 (6.000) | 147.8 (5.821) | 38610-7623 |
| 24 | 164.8 (6.491) | 146.05 (5.750) | 158.75 (6.250) | 154.1 (6.071) | 38610-7624 |
| 25 | 171.2 (6.741) | 152.40 (6.000) | 165.10 (6.500) | 160.5 (6.321) | 38610-7625 |
| 26 | 177.5 (6.991) | 158.75 (6.250) | 171.45 (6.750) | 166.8 (6.571) | 38610-7626 |
| 27 | 183.9 (7.241) | 165.10 (6.500) | 177.80 (7.000) | 173.2 (6.821) | 38610-7627 |
| 28 | 190.2 (7.491) | 171.45 (6.750) | 184.15 (7.250) | 179.5 (7.071) | 38610-7628 |
| 29 | 196.6 (7.741) | 177.80 (7.000) | 190.50 (7.500) | 185.9 (7.321) | 38610-7629 |
| 30 | 202.9 (7.991) | 184.15 (7.250) | 196.85 (7.750) | 192.2 (7.571) | 38610-7630 |
| 31 | 209.3 (8.241) | 190.50 (7.500) | 203.20 (8.000) | 198.6 (7.821) | 38610-7631 |
| 32 | 215.6 (8.491) | 196.85 (7.750) | 209.55 (8.250) | 204.9 (8.071) | 38610-7632 |



4 CIRCUIT SHOWN



- NOTES:
1. MATERIAL: SEE TABLE
 2. FINISHES: SEE TABLE
 3. PRODUCT SPECIFICATION: NOT REQUIRED
 4. PACKAGING: NOT REQUIRED
 5. MATES WITH: NONE
 6. "XX" REFERS TO NUMBER OF CIRCUITS

| ITEM | QTY. | DESCRIPTION | MATERIAL | FINISH |
|------|------|---------------------------------|---------------|--------------------|
| 3 | XX | SCREW & WASHER, #3-48 (-50 OPT) | STEEL | ZN, CLEAR CHROMATE |
| 2 | XX | TERMINAL, PC, STYLE 5 | BRASS | TIN PLATE |
| 1 | 1 | BARRIER TERMINAL STRIP | THERMOPLASTIC | BLACK |

| | | | | | |
|---|---|---|--|--|---|
| EC NO. RELEASED DRW: CLY CH: K APPR: | QUALITY SYMBOLS MAJOR CRITICAL SPC | GENERAL TOLERANCES: (UNLESS SPECIFIED) | SCALE 2:1 | DESIGN UNITS <input type="checkbox"/> mm <input checked="" type="checkbox"/> INCH | THIRD ANGLE PROJECTION |
| | | DRAWN BY & DATE C. YORK 11-22-04 | CHECKED BY & DATE | APPROVED BY & DATE | TITLE: 6.35mm (.250") SR BTS ASSY, CLAMP WASHER SCREW |
| REV A | DESCRIPTION | ANGLAR: $\pm 2^\circ$ | DRAFT WHERE APPLICABLE MUST REMAIN WITHIN DIMENSIONS | CAD FILENAME 615XX | MATERIAL NO. SEE CHART |
| | | PROJECT NO. - - - | DIMENSIONS: <input checked="" type="checkbox"/> mm <input type="checkbox"/> INCH <input type="checkbox"/> mm ONLY | SHEET REV | REVISE ON CAD ONLY |
| | | | DRAWING NO. SD-38610-004 | SHEET NO. 1 OF 1 | SIZE B |

THIS DRAWING CONTAINS INFORMATION THAT IS PROPRIETARY TO MOLEX INCORPORATED AND SHOULD NOT BE USED WITHOUT WRITTEN PERMISSION.