

4

3

2

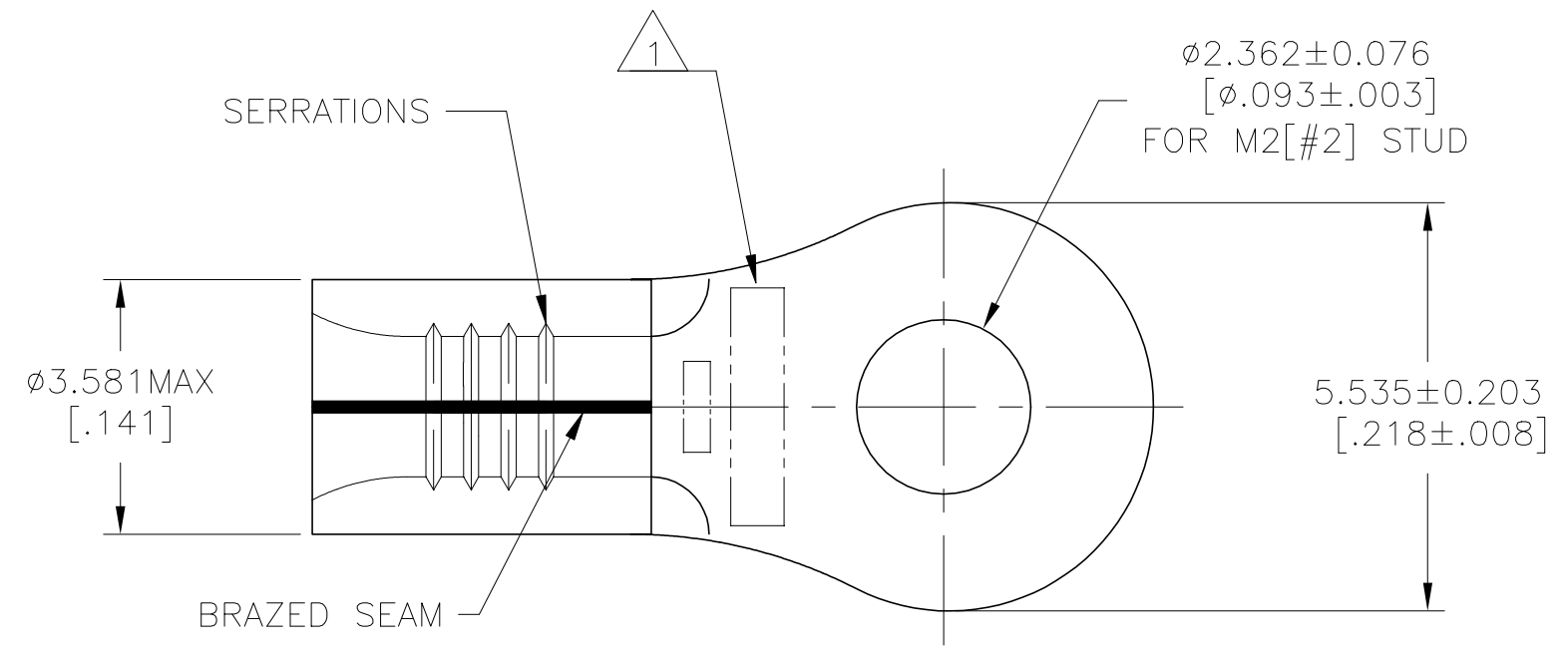
1

THIS DRAWING IS UNPUBLISHED. RELEASED FOR PUBLICATION
 © COPYRIGHT - By - ALL RIGHTS RESERVED.

REVISIONS					
P	LTR	DESCRIPTION	DATE	DWN	APVD
	A	REVISED PER ECO-14-007823	26MAY2014	NK	DR
	B	REVISED PER ECO-17-008808	31JAN2018	RS	DR
	C	REVISED PER ECO-19-005321	09APR2019	RS	DR

D

D



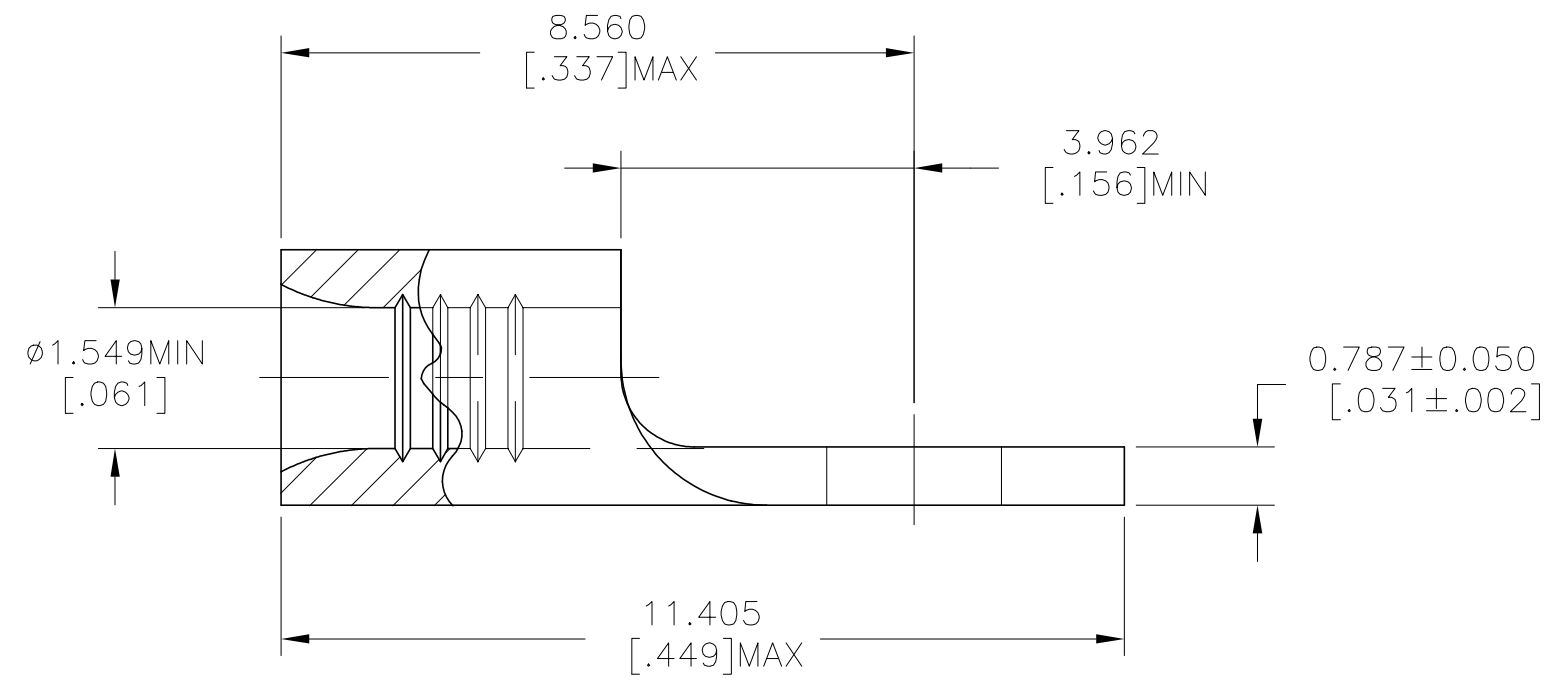
AMP
 WIRE RANGE

22-16 AWG
 SOLID OR STRANDED

- 1 STAMP AMP 22-18* APPROX AS SHOWN
 22-16 TERMINALS ARE STAMPED 22-18 IN
 ACCORDANCE WITH MILITARY SPECIFICATION
 SAE AS 7928 COMMERCIAL WIRE RANGE IS 22-16
- 2 MATERIAL: COPPER PER ASTM
 B152, ANNEALED
- 3 FINISH: NICKEL PLATE 0.0076[.00030] MIN
 EXT THK PER SAE AMS QQ-N-290

C

C



1000	LOOSE PIECE	322795
QTY	PACKAGE TYPE	PART NUMBER

A

A

AMP INCORPORATED CUSTOMER SERVICE SYSTEMS		MAX RECOMMENDED OPERATING TEMPERATURE: 343°C [650°F]	THIS DRAWING IS A CONTROLLED DOCUMENT.		DWN KIRAN HOLAL 30APR2013	STE TE Connectivity Ltd.
FOR ADDITIONAL PRODUCT INFORMATION OR COPIES OF DRAWINGS AND TECHNICAL DOCUMENTS	PRODUCT INFORMATION CENTER 1-800-522-6752	VOLTAGE RATING: N/A	DIMENSIONS: mm [INCHES]	TOLERANCES UNLESS OTHERWISE SPECIFIED:	CHK ROHDE DANIEL 30APR2013	
FOR APPLICATION TOOLING INFORMATION	TOOLING ASSISTANCE CENTER 1-800-722-1111	WIRE: 0.26-1.65mm²[509-3,260] CIR MILS SOLID OR STRANDED		0 PLC ± - 1 PLC ± - 2 PLC ± - 3 PLC ± - 4 PLC ± - ANGLES ± -	APVD ROHDE DANIEL 30APR2013	NAME TERMINAL, RING TONGUE, HEAT RESISTANT, STRATO-THERM, 22-16 AWG
FOR ORDER ENTRY	1-800-526-5142	THIS DRAWING IS A CONTROLLED DOCUMENT FOR AMP INCORPORATED. IT IS SUBJECT TO CHANGE AND THE CONTROLLING ENGINEERING ORGANIZATION SHOULD BE CONTACTED FOR THE LATEST REVISION.	MATERIAL 2	FINISH 3	PRODUCT SPEC 108-32046	SIZE A3
					APPLICATION SPEC 114-2162	CAGE CODE 00779
					WEIGHT	DRAWING NO C-322795
					CUSTOMER DRAWING	RESTRICTED TO -
					SCALE 10:1	SHEET 1 OF 1
						REV C