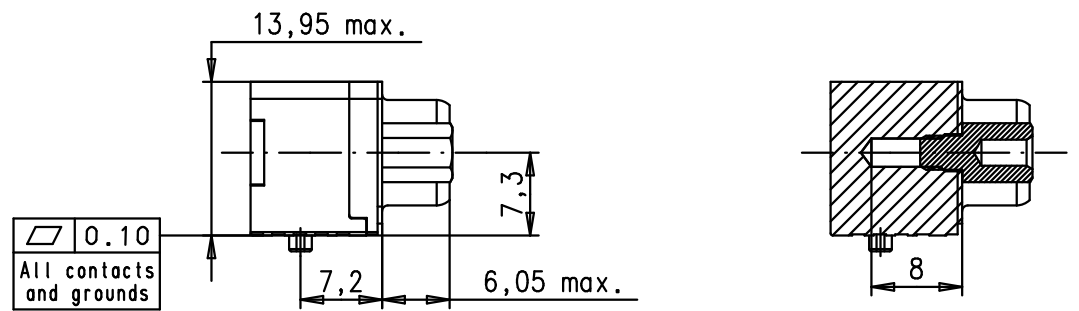
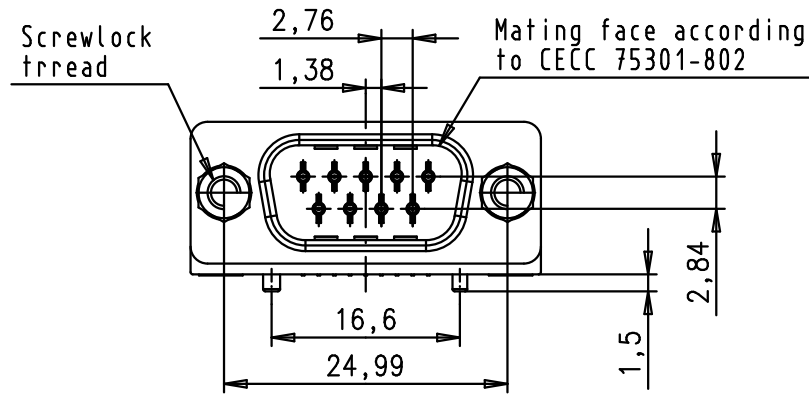

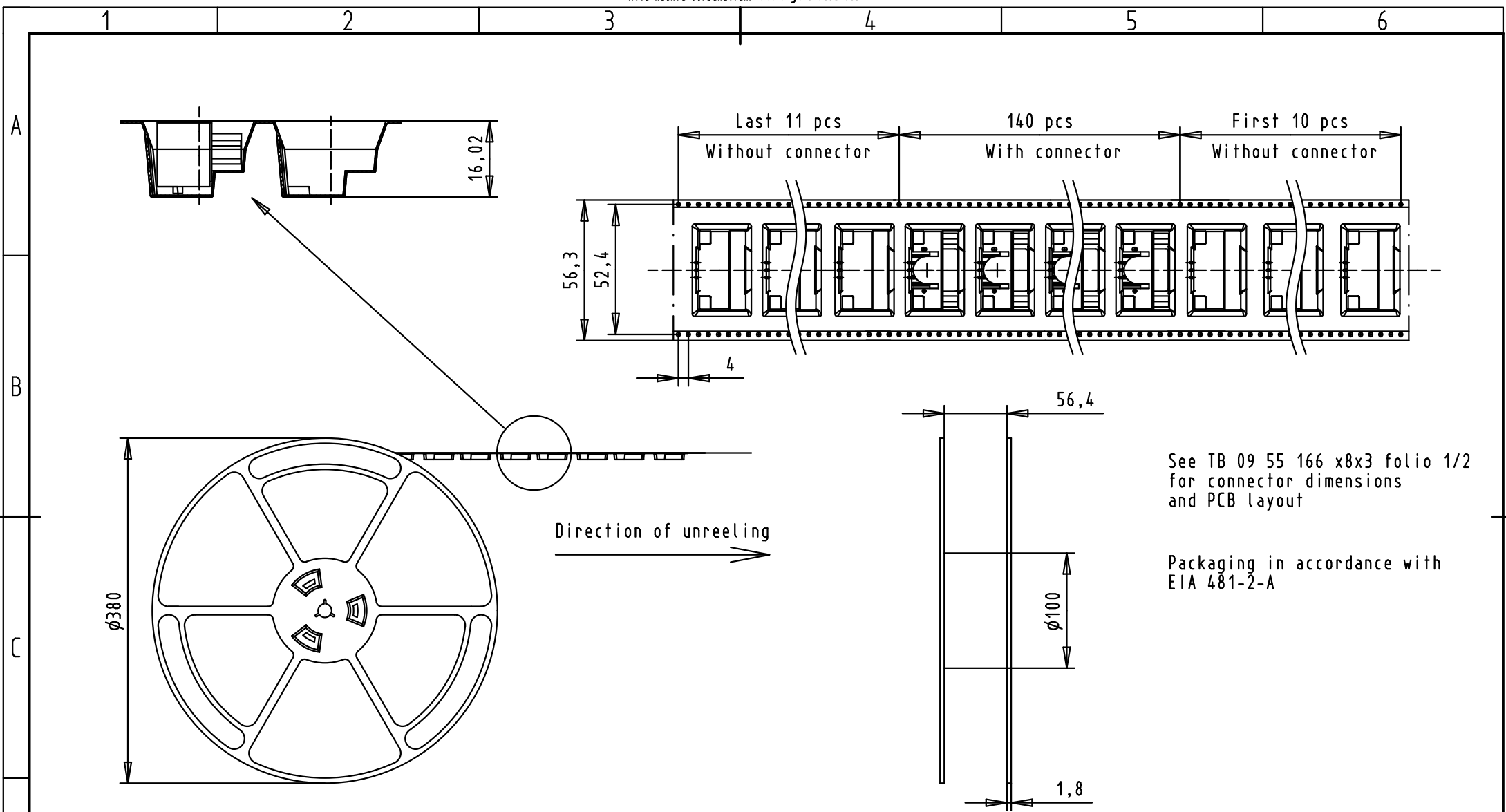


PCB Layout, component side (thickness 1.6 mm min.)



Max. Temperature : 260° during 10 seconds

D	Part number		PL	Thread	Index designation	Mod.	Dat.	Name	 All Dim. in mm Orig. Size DIN A 4	D-SUB SMT Standard Male 9p with die casted grounds and screwlocks	Maßstab/ Scale  1,5:1		
	Part number	PL											
	09551663813.741	1	4-40 UNC	Black Insulator	Reel Packaging (140 connectors) see page 2/2								
	09551666813.741	2						EC01199	11Jan2010	ED	Detail.	17Jul2006	ED
	09551667813.741	3						34399	22Aug2007	ED	Insp.		
	09551663833.741	1	M3	Black Insulator	Reel Packaging (140 connectors) see page 2/2								
	09551666833.741	2						33929	25Jan2007	ED	Stand.		
	09551667833.741	3						33787	17Jul2006	ED			
	Part number		PL	Thread	Index designation	Mod.	Dat.	Name	HARTING EURL F-95972 Paris		Blatt/ Page 1 / 2		



See TB 09 55 166 x8x3 folio 1/2 for connector dimensions and PCB layout

Packaging in accordance with EIA 481-2-A

D	09551663813.741	1	4-40 UNC	Black Insulator	Reel Packaging (140 connectors)	EC01199	11Jan2010	ED		Dot.	Name	 All Dim. in mm Orig. Size DIN A 4	D-SUB SMT Standard Male 9p with die casted grounds and screwlocks	Maßstab/ Scale
	09551666813.741	2				EC01118	26Nov2009	LP	Detail.	17Jul2006	ED			
	09551667813.741	3				34399	22Aug2007	ED	Insp.					
	09551663833.741	1	M3			33975	02Apr2007	ED	Stand.					
	09551666833.741	2				33929	25Jan2007	ED	HARTING EURL F-95972 Paris					
	09551667833.741	3				33785	17Jul2006	ED						
	Part number	PL	Thread	Index designation	Mod.	Dot.	Name				TB 09 55 166 x8x3 Sub.	Blatt/ Page 2 / 2		