

PART NO.	A99349-001	REV	ECO	DATE	APP
		A	104988	11-02-18	HV

**MATERIALS**

**HOUSING:**

ALUMINUM 6061, NICKEL PLATED  
(500 MICRINCHES MINIMUM) PER  
SAE-AMS-2404

**INSULATOR:**

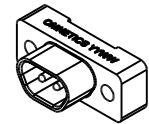
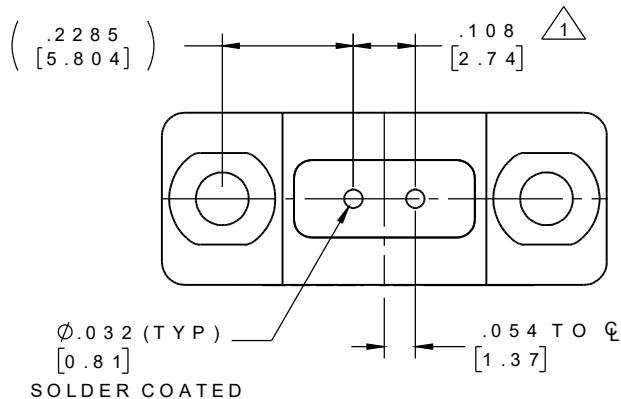
PPS PER MIL-M-24519, TYPE  
GST 40F

**CONTACT:**

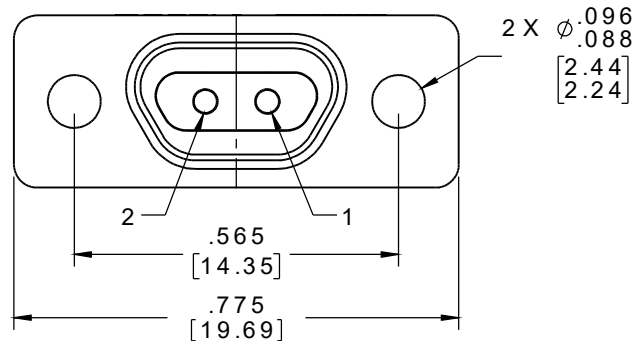
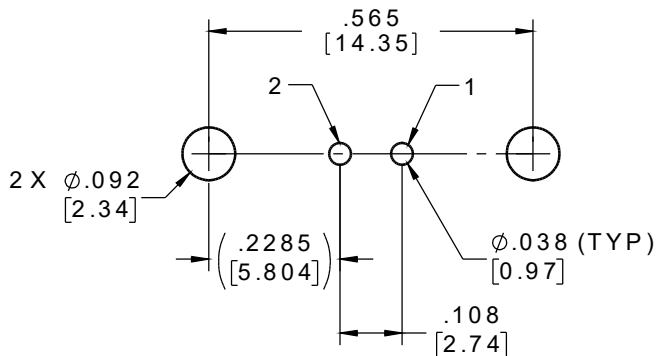
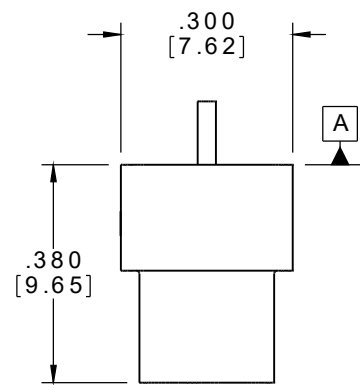
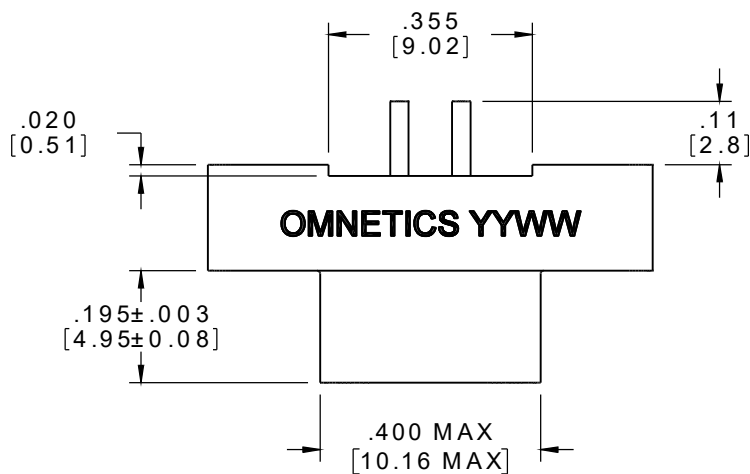
COPPER ALLOY PER SAE-AS39029  
GOLD PLATED PER ASTM B488  
(HARD GOLD), TYPE II, CODE C  
CLASS 1.27 OVER NICKEL  
UNDERPLATE

**TERMINATION:**

SOLDER COATED WITH SN63A PER  
J-STD-006



ACTUAL SIZE



**NOTES:**

1. TAIL DIMENSIONS APPLY AT PLANE A

2. DIMENSIONS IN [ ] ARE IN MILLIMETERS UNLESS OTHERWISE NOTED AND ARE FOR REFERENCE ONLY

MMSD/SIDW	THIRD ANGLE $\Phi$
	-TOLERANCES- UNLESS OTHERWISE NOTED
	DIMENSIONS IN INCHES
	2 PL DEC $\pm .01$ 3 PL DEC $\pm .005$ 4 PL DEC $\pm .0005$ ANGLES $\pm 1^\circ$

THIS DRAWING CONTAINS CONFIDENTIAL AND PROPRIETARY INFORMATION WHICH IS THE PROPERTY OF OMNETICS CONNECTOR CORP. THIS DOCUMENT MAY NOT, IN WHOLE OR IN PART, BE DUPLICATED, OR DISCLOSED FOR ANY PURPOSE, WITHOUT WRITTEN PERMISSION FROM OMNETICS CONNECTOR CORP.	
DFTM. STN	DATE 10-29-18
CHK'D.	DATE
APP'D.	DATE
TITLE: (2-0) CONTACT RECEPTACLE HYBRID POWER MICRO-D CONNECTOR	

**OMNETICS**  
CONNECTOR CORPORATION  
7260 COMMERCE CIRCLE EAST  
MINNEAPOLIS, MN 55432  
WWW.OMNETICS.COM

CAGE CODE 61873	
DWG NO. A99349-001	
SHEET 1 OF 1	REV A
SCALE: 3:1	