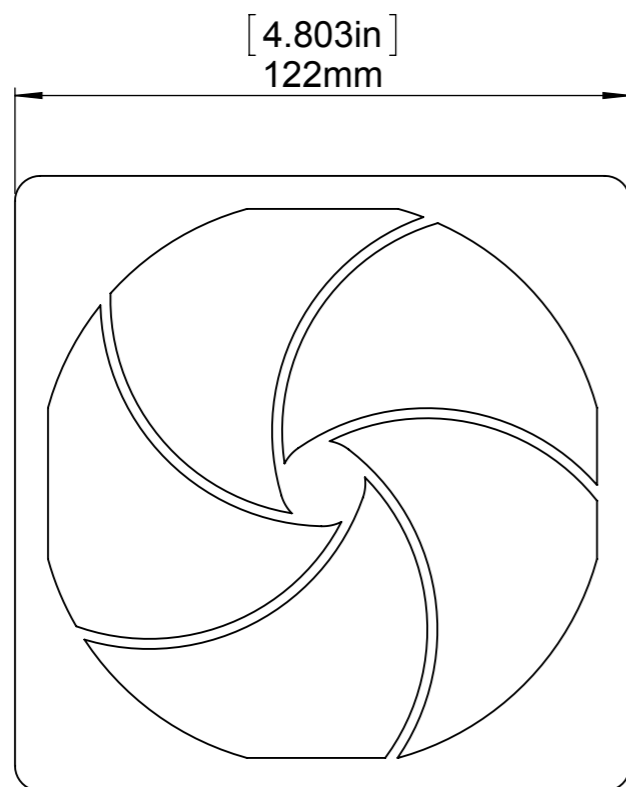
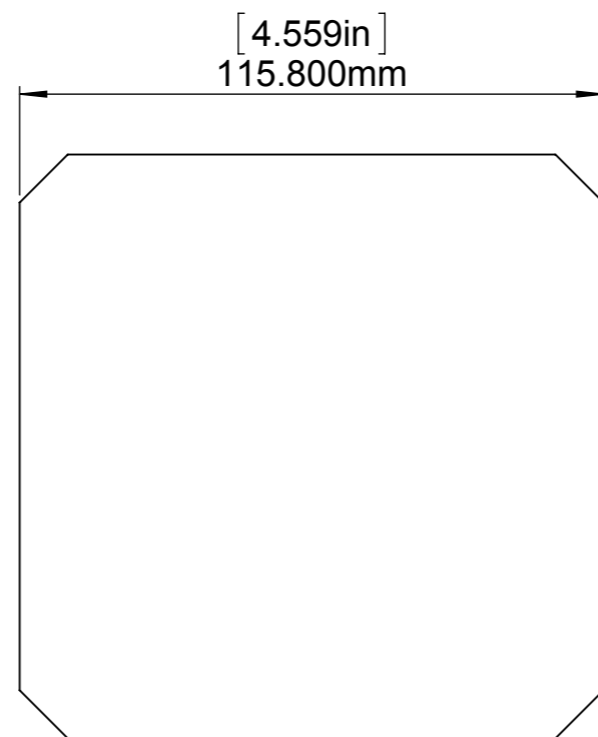


RETAINER

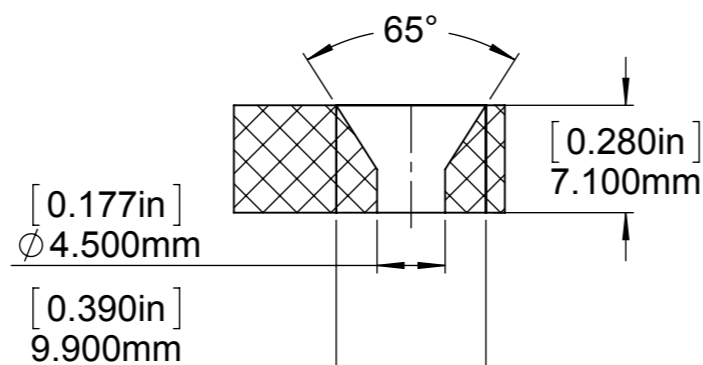
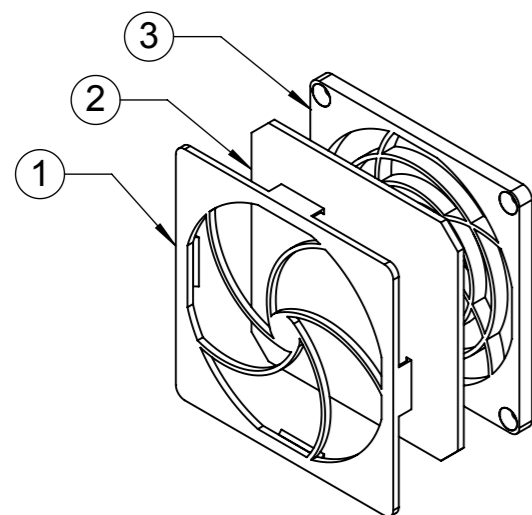
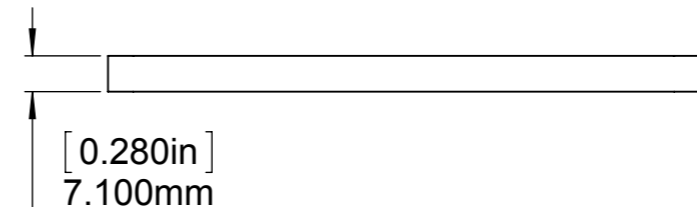
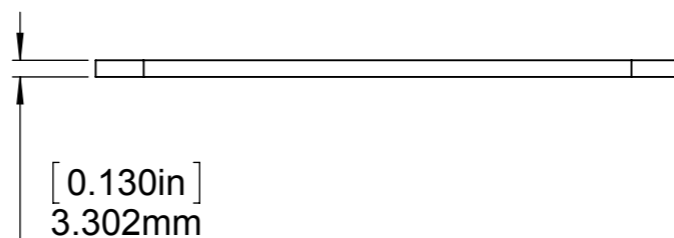
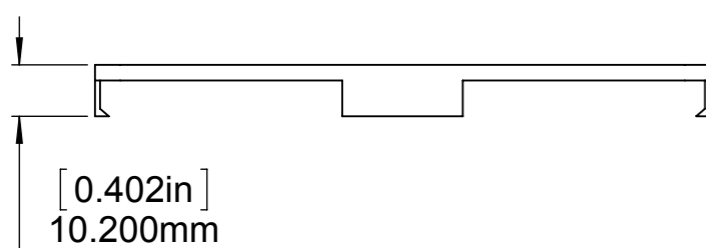
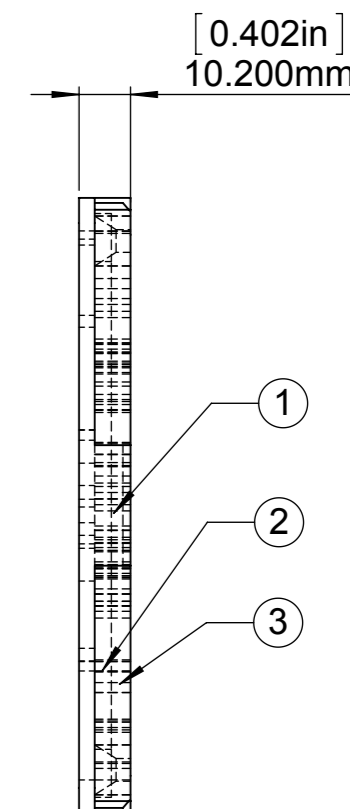
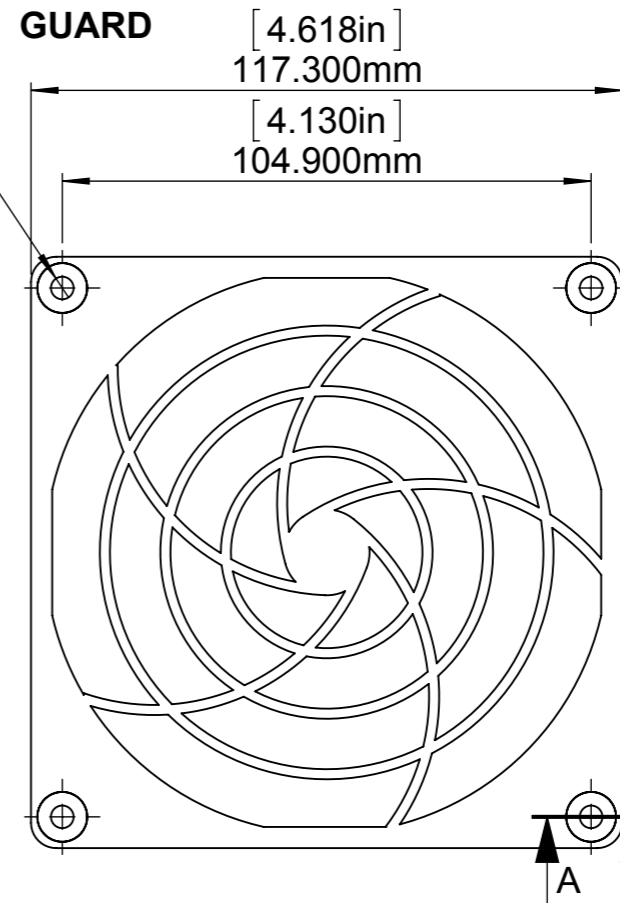


FILTER



[0.177in]
Ø 4.500mm

GUARD



SECTION A-A
SCALE 2 : 1

THIS DRAWING IS THE PROPERTY OF GARDTEC INC AND IS NOT TO BE PRODUCED FOR OR COMMUNICATED TO ANY THIRD PARTY WITHOUT SPECIFIC WRITTEN APPROVAL OF AN OFFICER OF GARDTEC INC.

ITEM NO.	DESCRIPTION	MATERIAL	QTY.
1	RETAINER	Plastic UL94V-O	1
2	FILTER	Polyurethane Foam UL94HF-1 30PPI	1
3	GUARD	Plastic UL94V-O	1

NAME	SIGNATURE	DATE			
DRAWN	HI-TECH				
CHK'D					
APPV'D					
MFG			THICKNESS:	SEE PART DETAIL	
Q.A			MATERIAL:	SEE PART DETAIL	
			WEIGHT:	101.281kg	
			SCALE:	1:1.5	

GARDTEC INC.	
TITLE: PLASTIC FAN ASSEMBLY	
ASSEMBLY NO.	SC120-P15/30
	A3
	SHEET 1 OF 1