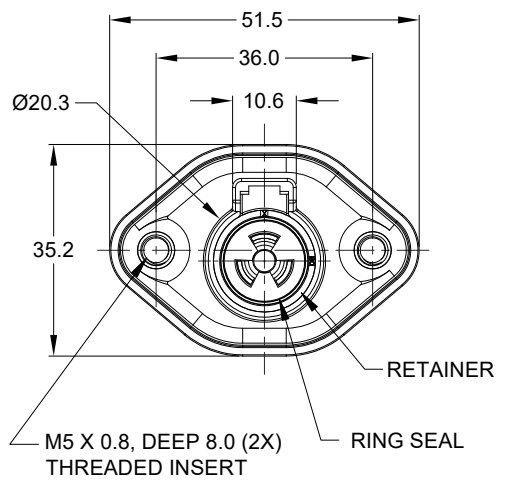
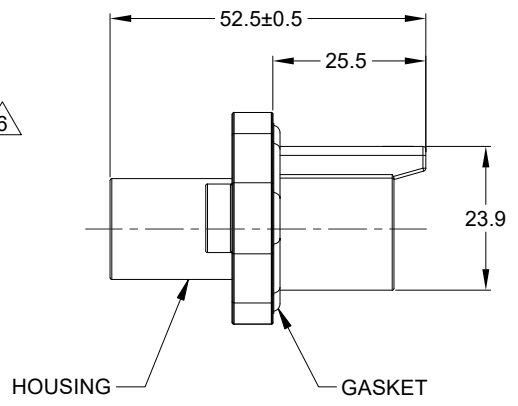
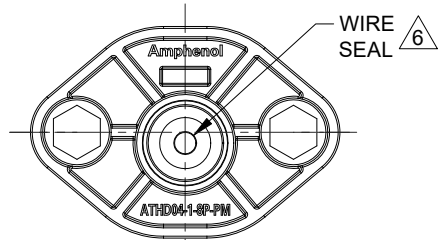
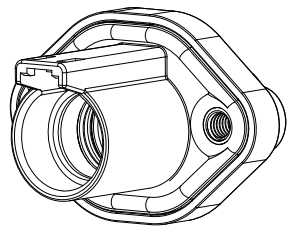
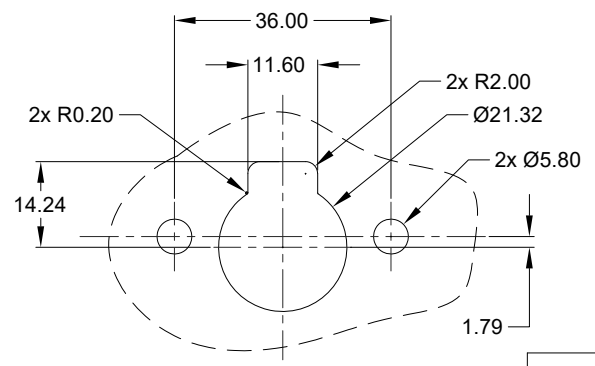


REVISIONS					
REV	ECO	DESCRIPTION	DATE	BY	APPR
A1	-	RELEASED DRAWING	10DEC21	VITO	TOMMY



RECOMMENDED TORQUE : 1.9 - 2.2 N.M



RECOMMENDED PANEL CUTOUT

NOTES: UNLESS OTHERWISE SPECIFIED

- MATERIAL:
HOUSING, RETAINER: THERMOPLASTIC; COLOR: BLACK
RING SEAL, WIRE SEAL, GASKET: SILICONE RUBBER; COLOR: RED
- MODIFICAIONS: FRONT FLANGE MOUNT;
THREADED INSERT
- SPECIFICATIONS:
 - CURRENT RATING: 60 AMPS
 - OPERATING TEMPERATURE: -55°C TO +125°C
 - DIELECTRIC WITHSTANDING VOLTAGE: LESS THAN 2 MILLIAMPS CURRENT LEAKAGE @ 1500 VOLTS AC.
 - INSULATION RESISTANCE: 1000 MEGOHMS MIN @ 25°C.
 - MOISTURE RESISTANCE:
IP68(IM OF WATER FOR A PERIOD OF 24 HOURS, MATED CONDITION);
IP69K (MATED CONDITION)
 - MATING CYCLE DURABILITY: 100 CYCLES
 - RoHS COMPLIANT
- MATING PART: ATHD06-1-8S* PLUG (* = MODIFICATIONS)
- ALL DIMENSIONS ARE FOR REFERENCE USE ONLY.

6. CONTACT SIZE AND REAR SEAL WIRE RANGE:

CONTACT SIZE	MIN. INSUL O.D.	MAX. INSUL O.D.	TYPICAL WIRE RANGE
08	4.83 mm (.190 in)	6.09 mm (.240 in)	8 - 10 AWG (8.0-5.0 mm²)

TITLE: 1 POS. RECEPTACLE, PIN, SIZE 8, ATHD SERIES, FLANGE MOUNT, THREADED INSERT
DWG NO: ATHD04-1-8P-PM05
REV: A1
SH: 1
OF: 1

ATHD04-1-8P-PM05		DESCRIPTION		ITEM
QUANTITY	PART NUMBER	MATERIALS LIST		
<small>UNLESS OTHERWISE SPECIFIED</small> 1) All dimensions are in metric(mm). 2) Tolerances are as follows: 1 PL DEC ±0.30 Fractions ±1/64 2 PL DEC ±0.15 3 PL DEC ±0.08 3) Note reference =		SIGNATURES DATE DRAWN: VITOLJ 10DEC21 CHECKED: SULLENZHANG 13DEC21 ENGINEER: APPROVAL: TOMMY XIE 14DEC21		 Sine Systems - www.amphenol-sine.com 44724 Morley Drive Clinton Township, MI 48036
MATERIAL SPECIFICATIONS:		CUSTOMER:		
PROCESS SPECIFICATIONS:		THIS DRAWING IS SUPPLIED FOR INFORMATION ONLY. DESIGN FEATURES, SPECIFICATIONS AND PERFORMANCE DATA SHOWN HEREON ARE THE PROPERTY OF THE AMPHENOL CORPORATION. NO RIGHTS OF REPRODUCTION ARE IMPLIED. ALL DIMENSIONS ARE SUBJECT TO NORMAL MANUFACTURING VARIATIONS.		1 POS, RECEPTACLE, PIN, SIZE 8, ATHD SERIES, FLANGE MOUNT, THREADED INSERT SIZE: B TYPE: C- DWG NO: ATHD04-1-8P-PM05 REVISION: A1 SCALE: NONE SHEET 1 OF 1