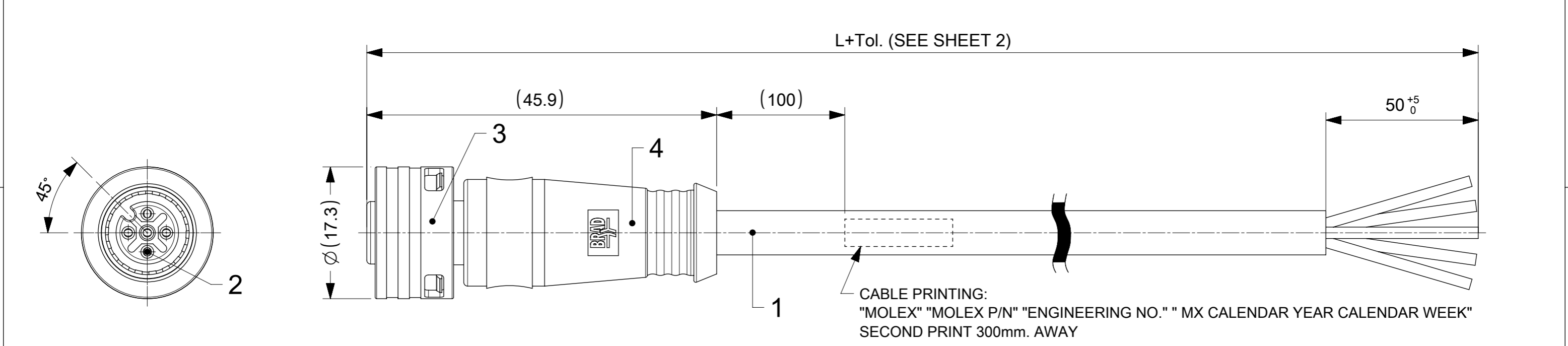
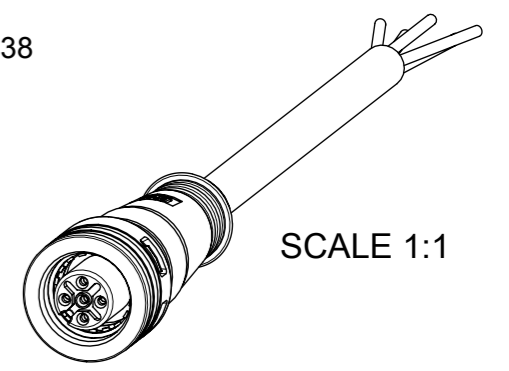


CODING ACCORDING TO IEC 61076-2-101



- NOTES:
- PARTS ACC. TO PRODUCT SPECIFICATION 1204000001 PS P10 AND IN STYLE OF IEC-61076-2-010
  - BOM & PART LIST - SEE SHEET 2
  - RATED VOLTAGE :  
3, 4 CONTACTS: 250V AC OR DC  
5 CONTACTS: 60V AC OR DC  
RATED CURRENT:  
3, 4, 5 CONTACTS: 4A, DERATING HAS TO BE CONSIDERED  
OVERVOLTAGE CATEGORY: 3  
POLLUTION DEGREE: 3, ONLY IN MATED AND LOCKED CONDITION
  - PROTECTION CLASS: IP 67, ONLY IN MATED AND LOCKED CONDITION
  - TEMPERATURE RANGE:  
TEMPERATURE PLUG/SOCKET: -40 °C TO +85 °C  
TEMPERATURE CABLE: SEE CABLE LIST
  - MECHANICAL OPERATIONS: 100 CYCLES
  - MATES WITH ULTRA-LOCK M12 MALE RECEPTACLES
  - PACKAGING: THE CORDSETS ARE SINGLE PACKED IN PLASTIC BAGS AND DELIVERED IN CARTON BOXES
  - UL CSA FILE REGISTRATION PENDING

FOR EXAMPLE: MOLEX 1204000001 Y03000E03M010 MX2038



DOCUMENT STATUS	P1	RELEASE DATE	2023/01/31	08:21:28
-----------------	----	--------------	------------	----------

FUNCTIONAL SYMBOLS ▽/A = 0 ▽/E = 0 ▽/P = 0	THIS DRAWING CONTAINS INFORMATION THAT IS PROPRIETARY TO MOLEX ELECTRONIC TECHNOLOGIES, LLC AND SHOULD NOT BE USED WITHOUT WRITTEN PERMISSION	CURRENT REV DESC: NOTES AND CABLE LIST UPDATED		<b>molex</b>			
	DIMENSION UNITS: mm	SCALE: 2:1	CSE U12 3-5P AC FE STR XM SE UNSH BK				
	GENERAL TOLERANCES (UNLESS SPECIFIED)	ANGULAR TOL ± 1.0°		PRODUCT CUSTOMER DRAWING			
	4 PLACES ±	3 PLACES ±		DOCUMENT NUMBER: 1204000025			
DIVISIONAL SYMBOLS	2 PLACES ± 0.05		EC NO: 736602		DOC TYPE: PSD	DOC PART: 000	REVISION: A3
1 PLACE ± 0.3		3 PLACES ±		DRWN: RSCHIEBER		2023/01/31	
0 PLACES ± 0.5		2 PLACES ±		CHK'D: RSILLER		2023/01/31	
DRAFT WHERE APPLICABLE MUST REMAIN WITHIN DIMENSIONS		THIRD ANGLE PROJECTION		APPR: RSILLER		2020/09/15	
DRAWING: A3-SIZE		SERIES: 120400		MATERIAL NUMBER: SEE SHEET 2		CUSTOMER: GENERAL MARKET	
SHEET NUMBER: 1 OF 2							

