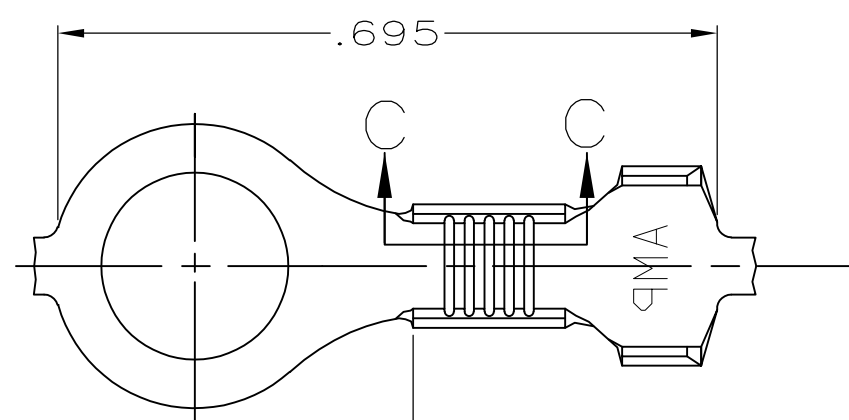
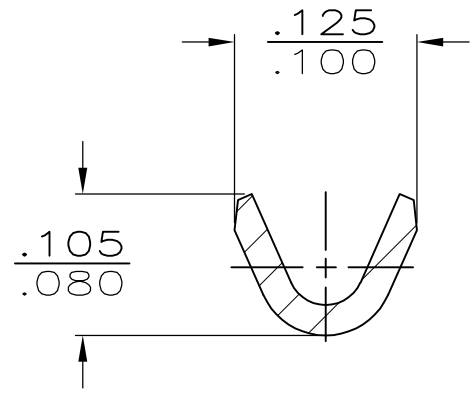
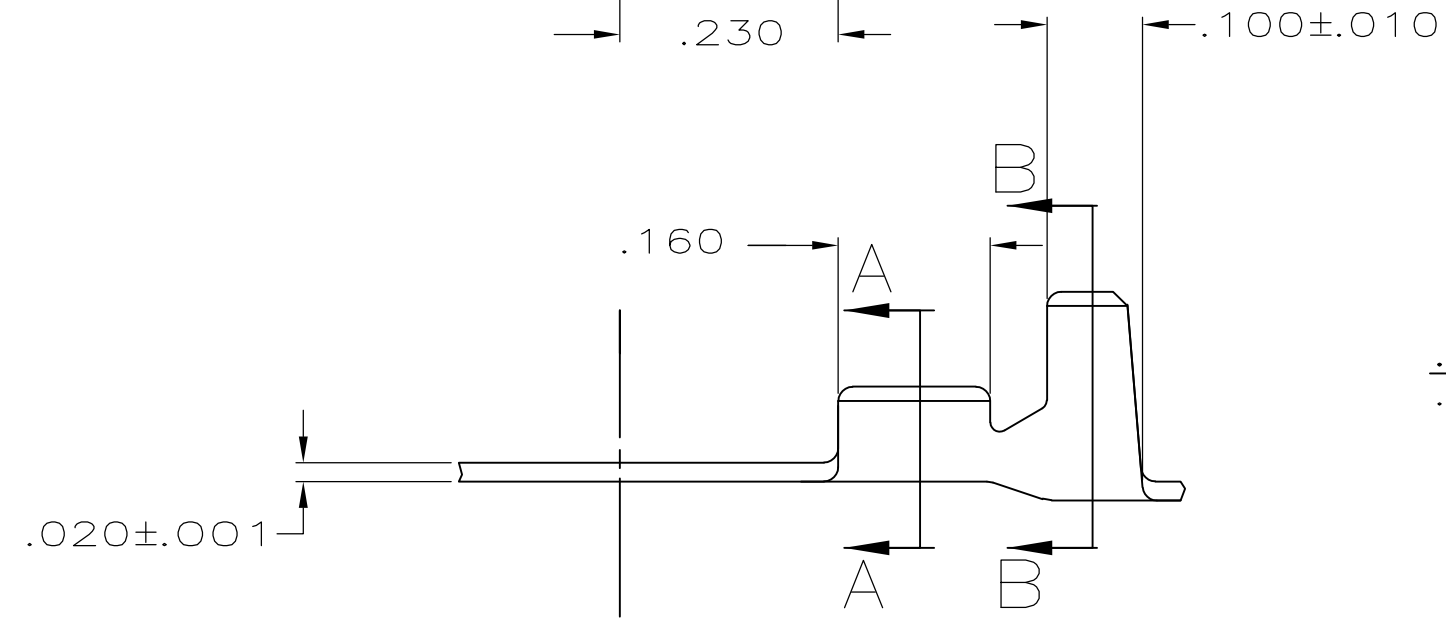


THIS DRAWING IS UNPUBLISHED. RELEASED FOR PUBLICATION
 © COPYRIGHT - By TYCO ELECTRONICS CORPORATION. ALL RIGHTS RESERVED.

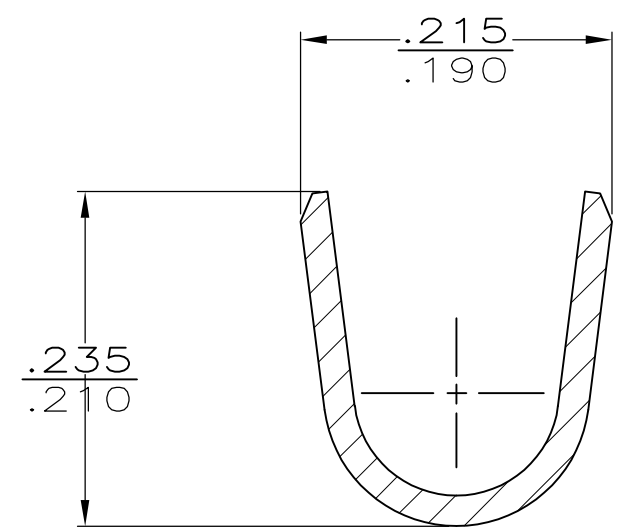
LOC	DIST	REVISIONS					
AF	50	P	LTR	DESCRIPTION	DATE	DWN	APVD
		G		REVISE PER ECR-13-013738	15FEB2014	GRZ	JL



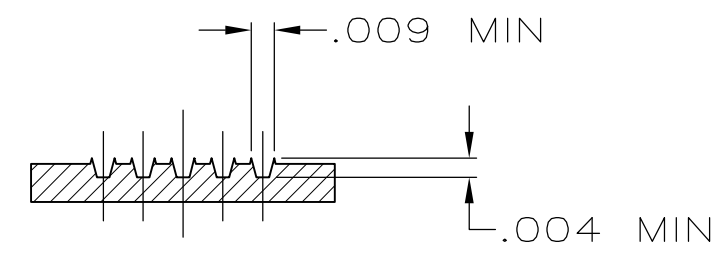
1 CONTINUOUS STRIP ON REELS



SECTION A-A
SCALE 8:1



SECTION B-B
SCALE 8:1



SECTION C-C
SCALE 10:1

.125-.165 DIA	23-19 AWG	60325-2
INSULATION RANGE	MAGNET WIRE RANGE	PART NUMBER

THIS DRAWING IS A CONTROLLED DOCUMENT.		DWN P FORTNEY 3/1/90	TE Connectivity			
DIMENSIONS: INCHES		CHK MS FEHER 3/1/90				
TOLERANCES UNLESS OTHERWISE SPECIFIED:		APVD 3/1/90 G YETTER	#10 STUD, RING,AMPLIVAR			
0 PLC ± -		PRODUCT SPEC 3/10/90 R KUZO				
1 PLC ± -		APPLICATION SPEC	SIZE	CAGE CODE	DRAWING NO	RESTRICTED TO
2 PLC ± -			A3	00779	C-60325	
3 PLC ± .015			SCALE 5:1		SHEET 1 OF 1	REV G
4 PLC ± -			CUSTOMER DRAWING			
ANGLES ± -						
MATERIAL BRASS		FINISH .000080 MIN TIN PL PER MIL-T-10727				