



## Specifications

Electrical Ratings	50mA @ 48VDC	Actuator Travel	.45 ± .1mm
Electrical Life	100,000 cycles typical 1,000,000 cycles typical*	Dielectric Strength	250Vrms min
Contact Resistance	<50mΩ initial	Insulation Resistance	>100MΩ min
Actuation Force	160 ± 50gF 200 ± 50gF 260 ± 50gF 520 ± 50gF	Operating Temperature	-40°C to 85°C
		Storage Temperature	-55°C to 90°C

\*stainless steel dome only

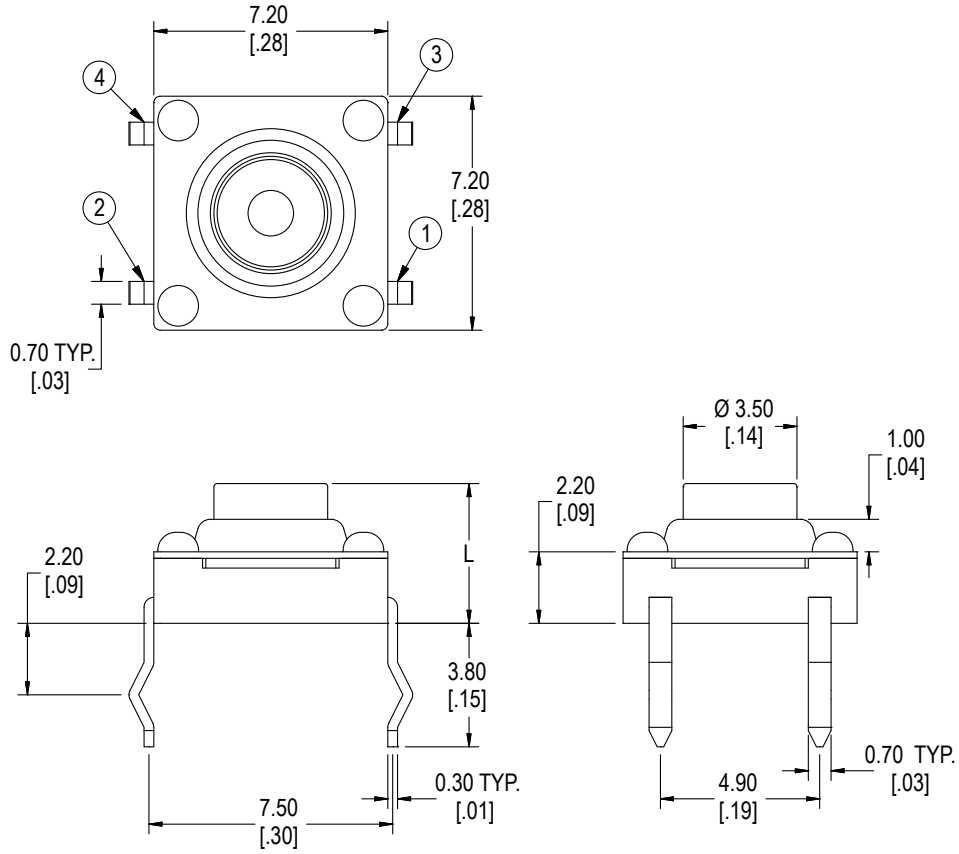
## Materials

Actuator	Polybutylene Terephthalate (PBT)
Housing	Polybutylene Terephthalate (PBT)
Cover	Stainless Steel
Contacts	Stainless Steel, Silver Plated
Terminals	Brass, Silver Plated

## Ordering Information

1. Series	ST	5.0	L	F160	Q
ST					
2. Actuator Length					
4.3 = 4.3mm					
5.0 = 5.0mm					
10.0 = 10.0mm					
3. Contact Options					
L = Stainless Steel					
4. Actuation Force					
F160 = F160gF					
F200 = F200gF					
F260 = F260gF					
F520 = F520gF					
5. Contact Material					
Q = Silver					

**Dimensions**



**Schematic & PC Layout**

