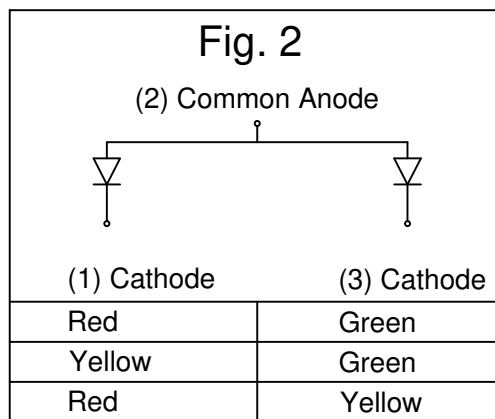
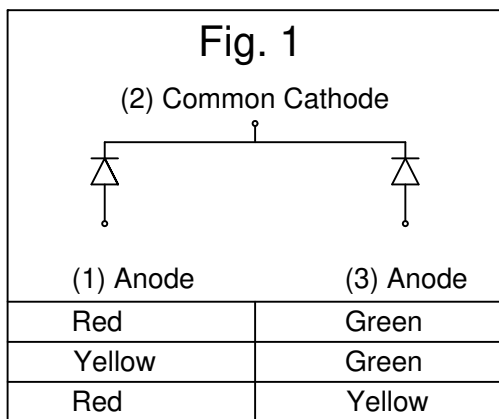
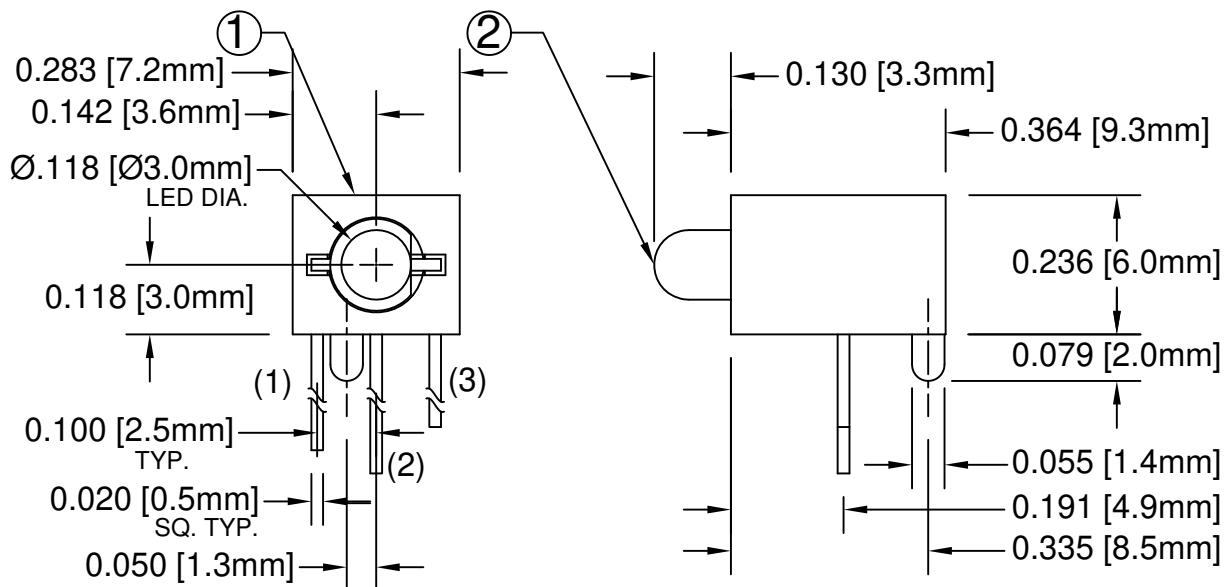
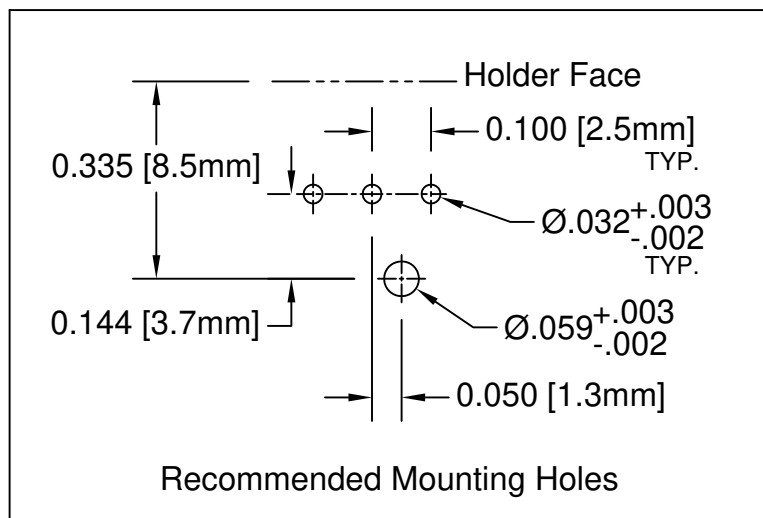


| ITEM | Q'TY | PART NUMBER | PART DESCRIPTION |
|------|------|--------------|--|
| 1 | 1 | H-180C-LP | T-1 (3mm) Bi-Level Tri-Lead LED Holder, 90° Mount |
| 2 | 1 | 3BC-3-XXXX-F | T-1 (3mm) Bi-Color/Tri-Color Flanged LED, See Page 2 |

| REV. | DESCRIPTION | DATE | APPROVED |
|------|------------------------------------|----------|----------|
| C | Engineering Update w/o Changes | 03/05/04 | M. C. |
| D | Added Uncut Leads | 10/06/06 | M. C. |
| E | Updated Recommended Mounting Holes | 07/01/08 | M. C. |
| F | Engineering Update w/o Changes | 06/20/16 | J. C. |



*Note: Leads are Uncut


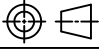
ABSOLUTE MAXIMUM RATINGS (Ta=25° C)

| | |
|---|----------------------|
| REVERSE VOLTAGE _____ | 5V |
| REVERSE CURRENT _____ | 100uA |
| OPERATING TEMPERATURE RANGE _____ | -25° C - 85° C |
| STORAGE TEMPERATURE _____ | -30° C - 100° C |
| LEAD SOLDERING TEMPERATURE(1/16" FROM BODY) _____ | 260° C FOR 5 SECONDS |

| STANDARD TOLERANCE (UNLESS OTHERWISE SPECIFIED) | | BIVAR® | |
|--|-----------------------|---|--|
| DECIMALS | ANGULAR | 4 THOMAS, IRVINE, CA. 92618 | |
| .X ± .1 | X° ± 1° | TEL: (949) 951-8808 FAX: (949) 951-3974 | |
| .XX ± .02 | | TITLE: T-1 (3MM) BI-COLOR 3 LEAD 90° SINGLE-LEVEL LED LOCATOR PIN ASSY | |
| .XXX ± .010 | | PART NO: H180CBC-LP-XX | |
| DESIGNED: D. Green | DATE: 09/16/03 | REVISION: F | |
| CHECKED: M. Chen | DATE: 09/16/03 | CAGE CODE : 32559 SHEET # 1 OF 2 | |
| CAD GENERATED DOCUMENT. DO NOT MEASURE DRAWING. | | | |

| | | | |
|------|--------------|------|----------|
| REV. | DESCRIPTION | DATE | APPROVED |
| | SEE SHEET #1 | | |
| | | | |

| LED Assy. No. | Peak Wave Length λ_p (nm) | Emitted Color | Lens Appearance | Abs. Max. Rating | Electro-Optical Data @ 20mA | | | Viewing Angle $2\theta_{1/2}$ (Deg) | LED P/N | |
|-------------------------------|--------------------------------------|---------------|-----------------|------------------|-----------------------------|-----------|-----|---|----------------|-------------|
| | | | | | If (mA) | Vf (V) | | | | Iv (mcd) |
| | | | | | | TYP | MAX | | | TYP |
| H180CBC-LP (Fig. 1) | 635 | HE RED | WHITE DIFFUSED | 30 | 2.0 | 2.6 | 35 | 40 | 3BC-3-F | |
| | 568 | GREEN | | 30 | 2.2 | 2.6 | 35 | | | |
| H180CBC-LP-Y/G (Fig. 1) | 585 | YELLOW | WHITE DIFFUSED | 30 | 2.1 | 2.6 | 30 | 40 | 3BC-3-Y/G-F | |
| | 568 | GREEN | | 30 | 2.2 | 2.6 | 35 | | | |
| H180CBC-LP-CA (Fig. 2) | 635 | HE RED | WHITE DIFFUSED | 30 | 2.0 | 2.6 | 35 | 40 | 3BC-3-CA-F | |
| | 568 | GREEN | | 30 | 2.2 | 2.6 | 35 | | | |
| H180CBC-LP-Y/G-CA (Fig. 2) | 585 | YELLOW | WHITE DIFFUSED | 30 | 2.1 | 2.6 | 30 | 40 | 3BC-3-Y/G-CA-F | |
| | 568 | GREEN | | 30 | 2.2 | 2.6 | 35 | | | |

| | | | |
|--|--------------------------|---|-----------------------|
| STANDARD TOLERANCE (UNLESS OTHERWISE SPECIFIED) $\pm 10\%$ ALL VALUES ANGULAR | |  4 THOMAS, IRVINE, CA. 92618 TEL: (949) 951-8808 FAX: (949) 951-3974 | |
| | |  TITLE: T-1 (3MM) BI-COLOR 3 LEAD 90° SINGLE-LEVEL LED LOCATOR PIN ASSY | |
| DESIGNED: D. Green | DATE: 09/16/03 | PART NO: H180CBC-LP-XX | REVISION: F |
| CHECKED: M. Chen | DATE: 09/16/03 | CAGE CODE : 32559 | SHEET # 2 OF 2 |
| CAD GENERATED DOCUMENT. DO NOT MEASURE DRAWING. | | | |