

# ELR H3-IES-PT- 24DC/500AC-9 - Hybrid motor starter



2903918

<https://www.phoenixcontact.com/us/products/2903918>

Please be informed that the data shown in this PDF document is generated from our online catalog. Please find the complete data in the user documentation. Our general terms of use for downloads are valid.



Hybrid motor starter for starting 3~ AC motors up to 500 V AC and 9 A output current, with 24 V DC control voltage, adjustable overload shutdown, emergency stop function to SIL 3/PL e, and push-in connection.

## Your advantages

- 22.5 mm wide
- Safety level in accordance with IEC 61508-1: SIL 3, ISO 13849: PL e
- Reduction in wiring
- Space saving
- Long service life
- 3-phase loop bridges
- Adjustable current for bimetal function
- Low-wear switching

## Commercial data

Item number	2903918
Packing unit	1 pc
Minimum order quantity	1 pc
Sales key	C470
Product key	CK7413
Catalog page	Page 34 (C-5-2019)
GTIN	4046356771412
Weight per piece (including packing)	287.2 g
Weight per piece (excluding packing)	278.7 g
Customs tariff number	85371098
Country of origin	DE

## Technical data

### Notes

General	If this device is to be used in combination with the CrossPowerSystem power distribution board, the device mount for the 16 A fuse (order designation: EM-CPS-DA-22,5F/16A; order number: 1002668) is required in order to attach the hybrid motor starter to the power distribution board.
---------	---

### Product properties

Product type	Hybrid motor starters
Product family	CONTACTRON
Operating mode	100% operating factor

### Electrical properties

Number of phases	3
Motor starter type	Direct starter
Maximum power dissipation for nominal condition	13.5 W
Switching frequency	≤ 2 Hz (Load-dependent)
Maximum power dissipation	14.6 W
Minimum power dissipation	1.1 W
Coordination type	1

### Supply

Rated control circuit supply voltage $U_S$	24 V DC
Control supply voltage range	19.2 V DC ... 30 V DC
Rated control supply current $I_S$	40 mA
Protective circuit	Surge protection
	Reverse polarity protection

### Insulation characteristics

Rated insulation voltage	500 V
Rated surge voltage	6 kV
Overvoltage category	III
Degree of pollution	2
Insulation characteristics between the control input and control supply voltage, and auxiliary circuit to the main circuit	Safe isolation (IEC 60947-1) at operating voltage ≤ 300 V AC
	Basic insulation (IEC 60947-1) at operating voltage 300 V AC ... 500 V AC
Isolation characteristics between the control input and control supply voltage to auxiliary circuit	Safe isolation (IEC 60947-1) in the auxiliary circuit ≤ 300 V AC

### Emergency tripping

Operate threshold	> 45 A
Response time	2 s

### Input data

# ELR H3-IES-PT- 24DC/500AC-9 - Hybrid motor starter



2903918

<https://www.phoenixcontact.com/us/products/2903918>

## Control

Input name	Control input
Rated actuating voltage $U_C$	24 V DC
Triggering voltage range	19.2 V DC ... 30 V DC
Rated actuating current $I_C$	5 mA (Input type 1)
Switching threshold	9.6 V ("0" signal) 19.2 V ("1" signal)
Switching level	< 5 V DC (For EMERGENCY STOP)
Typical turn-off time	< 30 ms
Protective circuit	Reverse polarity protection

## Output data

### AC output

Rated operating voltage $U_e$	500 V AC
Operating voltage range	42 V AC ... 550 V AC
Rated operating current $I_e$	9 A (AC-51) 6.5 A (AC-53a)
Mains frequency	50/60 Hz
Load current range	1.5 A ... 9 A (see to derating)
Trigger characteristic in acc. with IEC 60947-4-2	Class 10A
Cooling time	20 min. (for auto reset)
Leakage current	0 mA
Protective circuit	Surge protection

### Acknowledge output

Note	Confirmation: floating change-over contact, signal contact
Contact switching type	1 changeover contact
Switching capacity in accordance with IEC 60947-5-1	3 A (230 V, AC15) 2 A (24 V, DC13)

## Connection data

### Control circuits

Connection method	Push-in connection
Stripping length	10 mm
Conductor cross section rigid	0.2 mm <sup>2</sup> ... 2.5 mm <sup>2</sup>
Conductor cross section flexible	0.2 mm <sup>2</sup> ... 2.5 mm <sup>2</sup>
Conductor cross section AWG	24 ... 14

### Load circuit

Connection method	Push-in connection
Stripping length	10 mm
Conductor cross section rigid	0.2 mm <sup>2</sup> ... 2.5 mm <sup>2</sup>
Conductor cross section flexible	0.2 mm <sup>2</sup> ... 2.5 mm <sup>2</sup>
Conductor cross section AWG	24 ... 14

## Signaling

Status display	Yellow LED
Operating voltage display	Green LED
Error indication	Red LED

## Dimensions

Width	22.5 mm
Height	107.5 mm
Depth	114 mm

## Material specifications

Flammability rating according to UL 94	V0 (Housing)
--	--------------

## Environmental and real-life conditions

### Ambient conditions

Degree of protection	IP20
Ambient temperature (operation)	-25 °C ... 70 °C (observe derating)
Ambient temperature (storage/transport)	-40 °C ... 80 °C
Altitude	≤ 2000 m

## Approvals

### UKCA

Certificate	UKCA-compliant
-------------	----------------

### ATEX

Identification	⊕ II (2) G [Ex e] [Ex d] [Ex px]
	⊕ II (2) D [Ex t] [Ex p]
Certificate	PTB 07 ATEX 3145

### UL approval

Certificate	NLDX.E228652
-------------	--------------

### Safety Integrity Level (SIL, IEC 61508)

Identification	≤ 3
Note	Safe shutdown

### Safety Integrity Level (SIL, IEC 61508)

Identification	2
Note	Motor protection

### Performance Level (ISO 13849)

Identification	≤ e
Note	Safe shutdown

### Category (ISO 13849)

# ELR H3-IES-PT- 24DC/500AC-9 - Hybrid motor starter



2903918

<https://www.phoenixcontact.com/us/products/2903918>

Identification	≤ 3
Note	Safe shutdown

## UL data

SCCR	100 kA (500 V AC (fuse: 30 A class CC/30 A class J (high fault)))
	5 kA (500 V AC (fuse: 20 A RK5 (standard fault)))
FLA	6.5 A (500 V AC)
Group installation	20 A (class RK5, SCCR 5kA, #24 - 14 AWG max. solid and stranded)
	30 A (class CC or J, SCCR 100kA, #24 - 14 AWG max, solid and stranded)
Category code	NLDX

## Standards and regulations

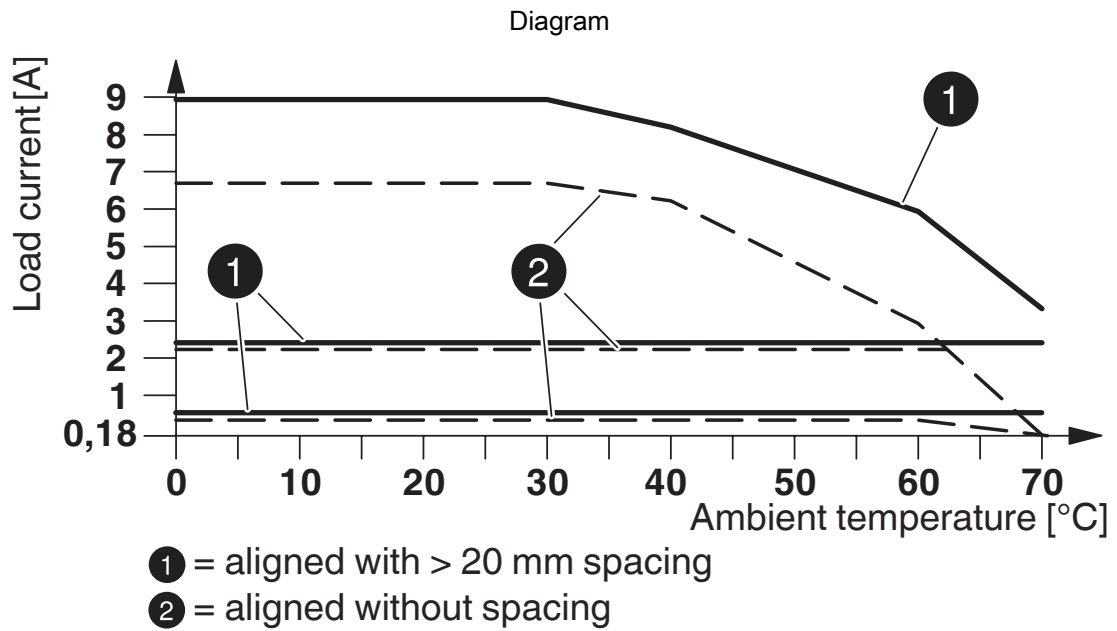
### Standards/regulations

Standards/regulations	IEC 60947-1
	IEC 60947-4-2
	IEC 61508
	ISO 13849

## Mounting

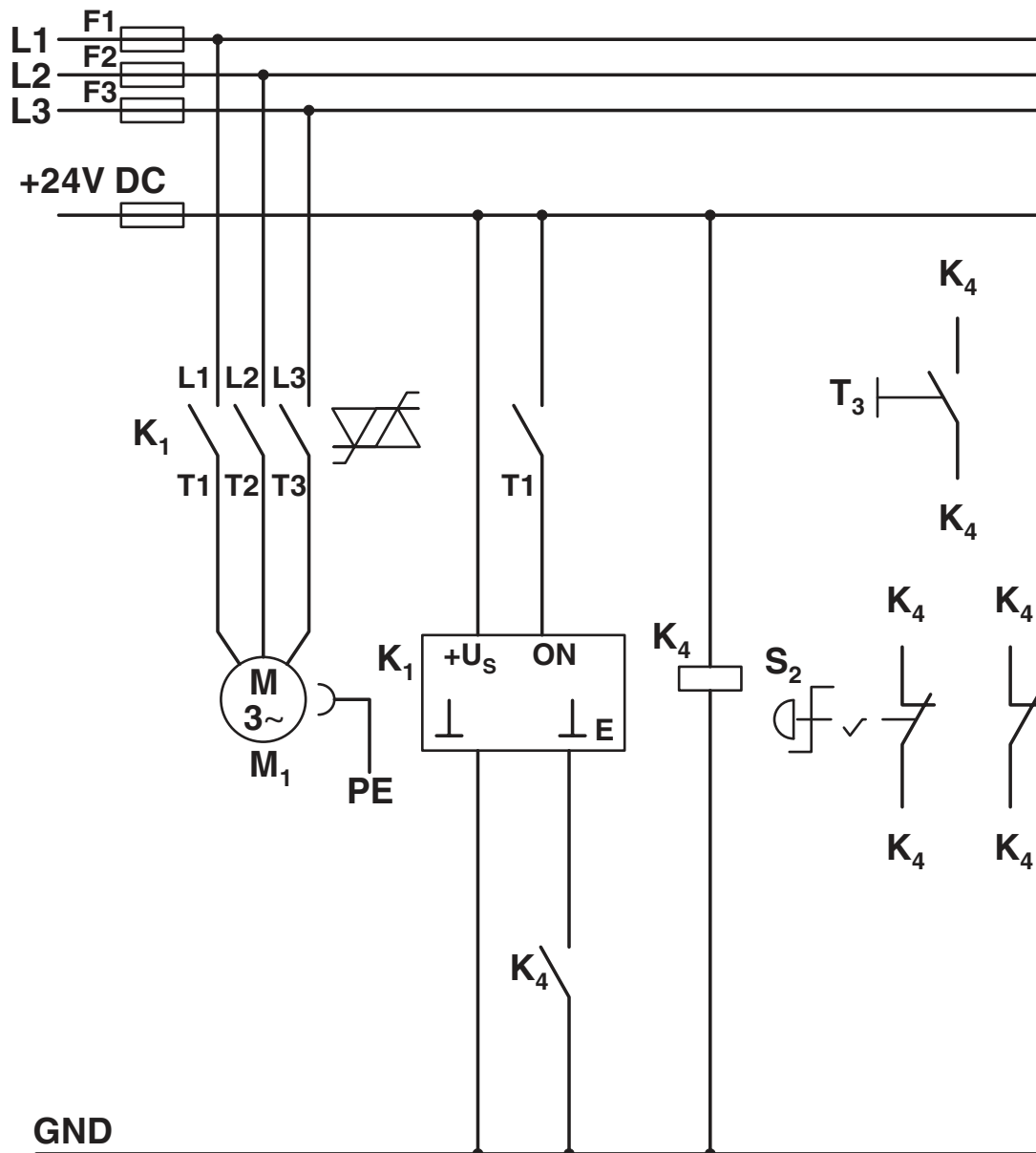
Mounting type	DIN rail mounting
Assembly instructions	alignable, for spacing see derating
Mounting position	vertical (horizontal DIN rail, motor output below)

Drawings

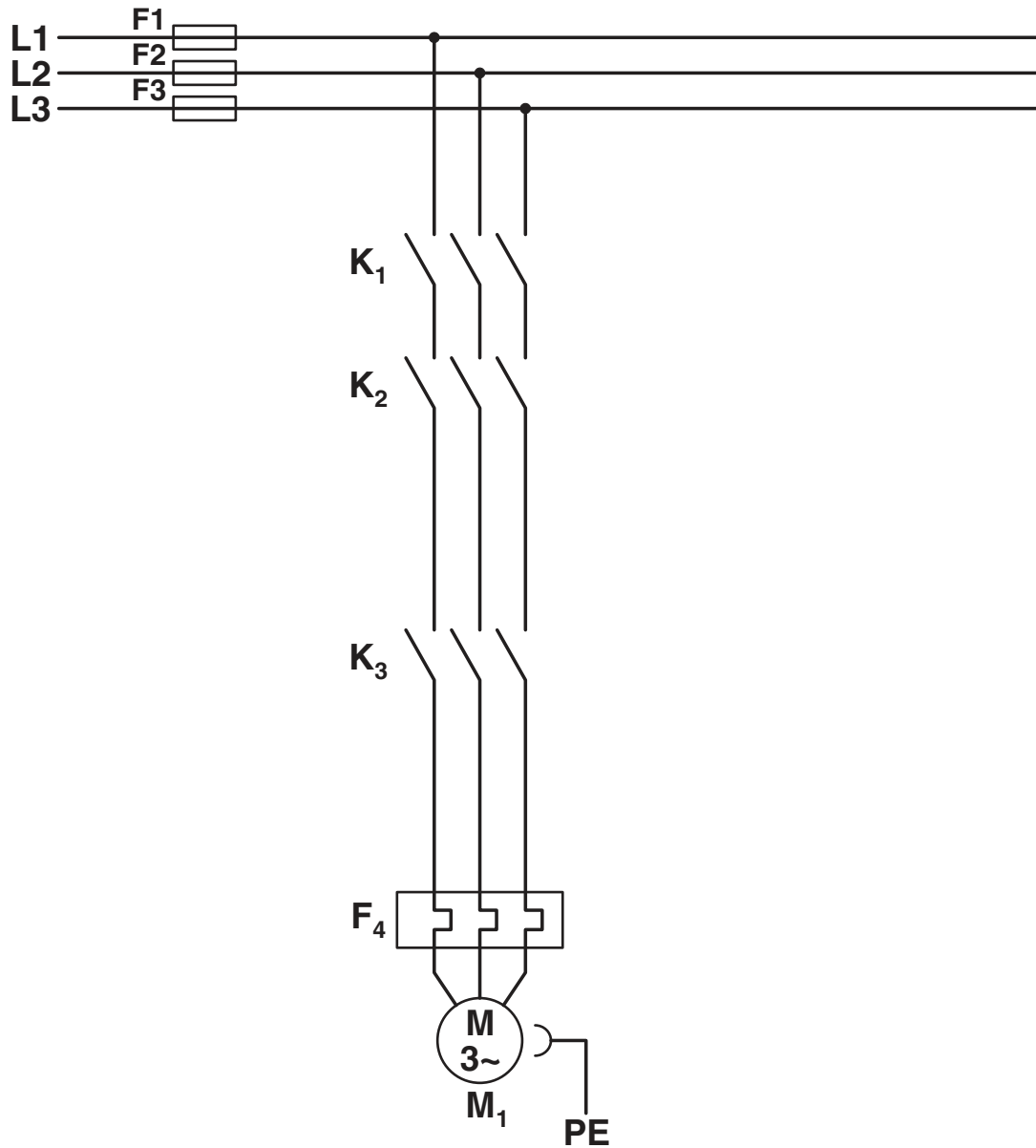


Derating diagram

Circuit diagram

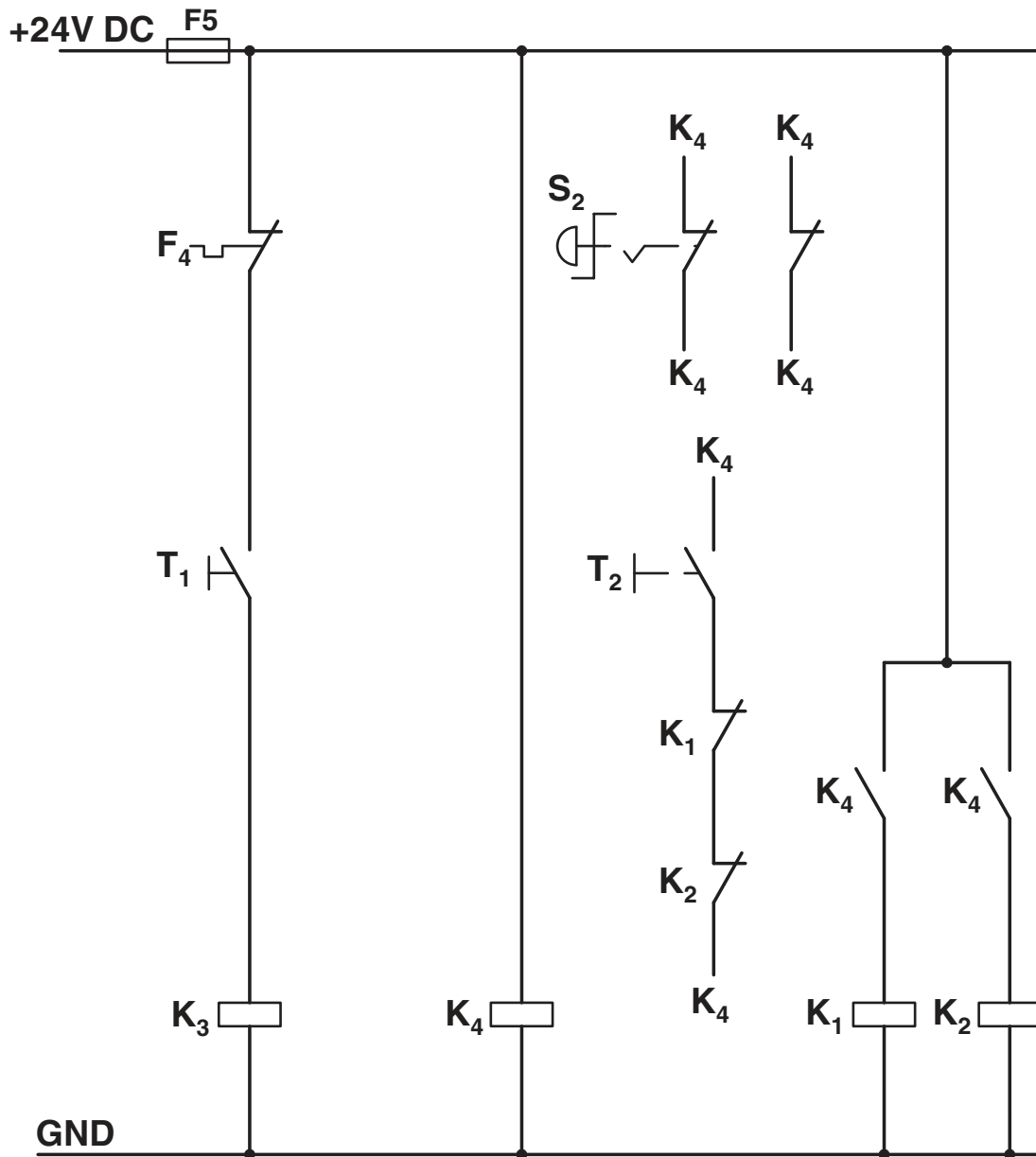


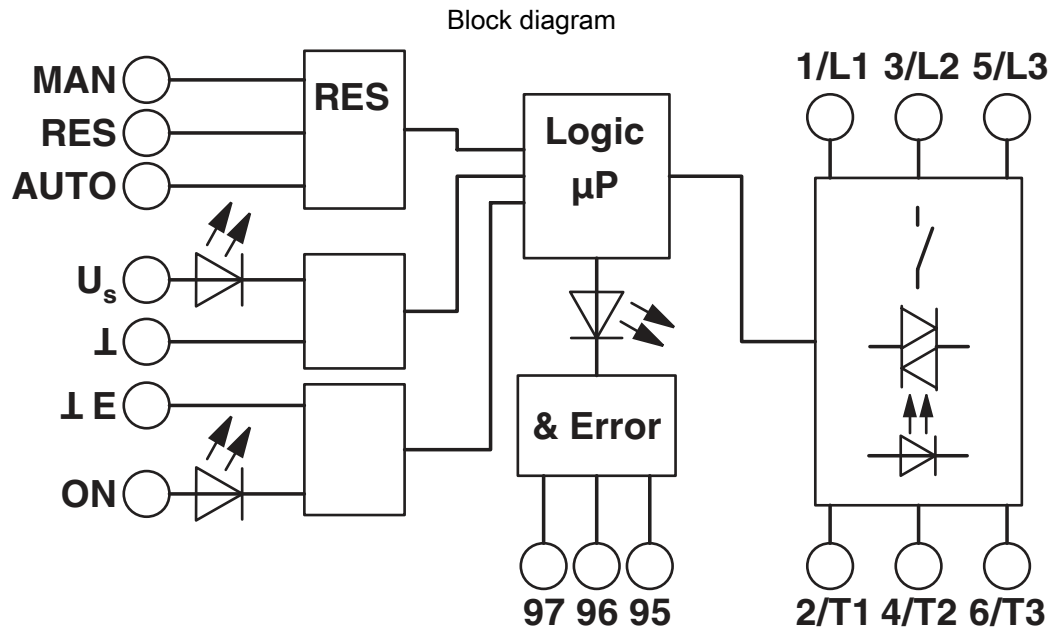
Circuit diagram





Circuit diagram





2903918

<https://www.phoenixcontact.com/us/products/2903918>

## Approvals

To download certificates, visit the product detail page: <https://www.phoenixcontact.com/us/products/2903918>



**IECEE CB Scheme**

Approval ID: DE1-55728



**EAC**

Approval ID: RU\*C-DE.\*08.B.00520\*



**UL Listed**

Approval ID: FILE E 323771



**CCC**

Approval ID: 2016010304871315



**cUL Listed**

Approval ID: FILE E 323771



**cUL Listed**

Approval ID: FILE E 228652



**UL Listed**

Approval ID: FILE E 228652



**ATEX**

Approval ID: PTB 07 ATEX 3145

2903918

<https://www.phoenixcontact.com/us/products/2903918>

## Classifications

### ECLASS

ECLASS-11.0	27370905
ECLASS-12.0	27370905
ECLASS-13.0	27370905

### ETIM

ETIM 8.0	EC001037
----------	----------

### UNSPSC

UNSPSC 21.0	25173900
-------------	----------

2903918

<https://www.phoenixcontact.com/us/products/2903918>

## Environmental product compliance

REACH SVHC	Lead 7439-92-1
China RoHS	Environmentally Friendly Use Period = 50 years
	For information on hazardous substances, refer to the manufacturer's declaration available under "Downloads"

2903918

<https://www.phoenixcontact.com/us/products/2903918>

## Accessories

### BRIDGE-PT 1 - Bridge

1161777

<https://www.phoenixcontact.com/us/products/1161777>

3-phase loop bridge for 1 CONTACTRON module, with Push-in connection and 22.5 mm housing width, connecting cable: 3 m



---

### BRIDGE-PT 2 - Bridge

2904490

<https://www.phoenixcontact.com/us/products/2904490>

3-phase loop bridge for 2 CONTACTRON modules, with Push-in connection and 22.5 mm housing width, connecting cable: 3 m



# ELR H3-IES-PT- 24DC/500AC-9 - Hybrid motor starter



2903918

<https://www.phoenixcontact.com/us/products/2903918>

## BRIDGE-PT 3 - Bridge

2904491

<https://www.phoenixcontact.com/us/products/2904491>

3-phase loop bridge for 3 CONTACTRON modules, with Push-in connection and 22.5 mm housing width, connecting cable: 3 m



---

## BRIDGE-PT 4 - Bridge

2904492

<https://www.phoenixcontact.com/us/products/2904492>

3-phase loop bridge for 4 CONTACTRON modules, with Push-in connection and 22.5 mm housing width, connecting cable: 3 m



# ELR H3-IES-PT- 24DC/500AC-9 - Hybrid motor starter



2903918

<https://www.phoenixcontact.com/us/products/2903918>

## BRIDGE-PT 5 - Bridge

2904493

<https://www.phoenixcontact.com/us/products/2904493>

3-phase loop bridge for 5 CONTACTRON modules, with Push-in connection and 22.5 mm housing width, connecting cable: 3 m



---

## BRIDGE-PT 6 - Bridge

2904494

<https://www.phoenixcontact.com/us/products/2904494>

3-phase loop bridge for 6 CONTACTRON modules, with Push-in connection and 22.5 mm housing width, connecting cable: 3 m





# ELR H3-IES-PT- 24DC/500AC-9 - Hybrid motor starter



2903918

<https://www.phoenixcontact.com/us/products/2903918>

## BRIDGE-PT 7 - Bridge

2904495

<https://www.phoenixcontact.com/us/products/2904495>

3-phase loop bridge for 7 CONTACTRON modules, with Push-in connection and 22.5 mm housing width, connecting cable: 3 m



---

## BRIDGE-PT 8 - Bridge

2904496

<https://www.phoenixcontact.com/us/products/2904496>

3-phase loop bridge for 8 CONTACTRON modules, with Push-in connection and 22.5 mm housing width, connecting cable: 3 m



# ELR H3-IES-PT- 24DC/500AC-9 - Hybrid motor starter



2903918

<https://www.phoenixcontact.com/us/products/2903918>

## BRIDGE-PT 9 - Bridge

2904497

<https://www.phoenixcontact.com/us/products/2904497>

3-phase loop bridge for 9 CONTACTRON modules, with Push-in connection and 22.5 mm housing width, connecting cable: 3 m



---

## BRIDGE-PT 10 - Bridge

2904498

<https://www.phoenixcontact.com/us/products/2904498>

3-phase loop bridge for 10 CONTACTRON modules, with Push-in connection and 22.5 mm housing width, connecting cable: 3 m



# ELR H3-IES-PT- 24DC/500AC-9 - Hybrid motor starter



2903918

<https://www.phoenixcontact.com/us/products/2903918>

## BRIDGE-PT 1-1M - Bridge

1161778

<https://www.phoenixcontact.com/us/products/1161778>

3-phase loop bridge for 1 CONTACTRON module, with Push-in connection and 22.5 mm housing width, connecting cable: 1 m



---

## BRIDGE-PT-2-1M - Bridge

1049407

<https://www.phoenixcontact.com/us/products/1049407>

3-phase loop bridge for 2 CONTACTRON modules, with Push-in connection and 22.5 mm housing width, connecting cable: 1 m



# ELR H3-IES-PT- 24DC/500AC-9 - Hybrid motor starter



2903918

<https://www.phoenixcontact.com/us/products/2903918>

## BRIDGE-PT-3-1M - Bridge

1049408

<https://www.phoenixcontact.com/us/products/1049408>

3-phase loop bridge for 3 CONTACTRON modules, with Push-in connection and 22.5 mm housing width, connecting cable: 1 m



---

## BRIDGE-PT-4-1M - Bridge

1049409

<https://www.phoenixcontact.com/us/products/1049409>

3-phase loop bridge for 4 CONTACTRON modules, with Push-in connection and 22.5 mm housing width, connecting cable: 1 m



# ELR H3-IES-PT- 24DC/500AC-9 - Hybrid motor starter



2903918

<https://www.phoenixcontact.com/us/products/2903918>

## BRIDGE-PT-5-1M - Bridge

1049413

<https://www.phoenixcontact.com/us/products/1049413>

3-phase loop bridge for 5 CONTACTRON modules, with Push-in connection and 22.5 mm housing width, connecting cable: 1 m



---

## BRIDGE-PT-2-2M/0,3M - Bridge

1107649

<https://www.phoenixcontact.com/us/products/1107649>

3-phase loop bridge for 2 CONTACTRON modules, with Push-in connection and 22.5 mm housing width, cable length between the modules: 0.3 m, connecting cable: 2 m



# ELR H3-IES-PT- 24DC/500AC-9 - Hybrid motor starter



2903918

<https://www.phoenixcontact.com/us/products/2903918>

## BRIDGE-PT-3-2M/0,3M - Bridge

1107650

<https://www.phoenixcontact.com/us/products/1107650>



3-phase loop bridge for 3 CONTACTRON modules, with Push-in connection and 22.5 mm housing width, cable length between the modules: 0.3 m, connecting cable: 2 m

---

## BRIDGE-PT-4-2M/0,3M - Bridge

1107644

<https://www.phoenixcontact.com/us/products/1107644>



3-phase loop bridge for 4 CONTACTRON modules, with Push-in connection and 22.5 mm housing width, cable length between the modules: 0.3 m, connecting cable: 2 m

# ELR H3-IES-PT- 24DC/500AC-9 - Hybrid motor starter



2903918

<https://www.phoenixcontact.com/us/products/2903918>

## US-EMLP (15X5) - Plastic label

0828790

<https://www.phoenixcontact.com/us/products/0828790>



Plastic label, Card, white, unlabeled, can be labeled with: BLUEMARK ID COLOR, BLUEMARK ID, THERMOMARK PRIME, THERMOMARK CARD 2.0, THERMOMARK CARD, mounting type: adhesive, lettering field size: 15 x 5 mm, Number of individual labels: 189

---

## UC-EMLP (15X5) - Plastic label

0819301

<https://www.phoenixcontact.com/us/products/0819301>



Plastic label, Sheet, white, unlabeled, can be labeled with: BLUEMARK ID COLOR, BLUEMARK ID, BLUEMARK CLED, PLOTMARK, CMS-P1-PLOTTER, mounting type: adhesive, lettering field size: 15 x 5 mm, Number of individual labels: 10

# ELR H3-IES-PT- 24DC/500AC-9 - Hybrid motor starter



2903918

<https://www.phoenixcontact.com/us/products/2903918>

## EM-CPS-225 - Power distribution board

1002634

<https://www.phoenixcontact.com/us/products/1002634>



Modular power distribution board with CrossLink<sup>®</sup> interface, 125 A, 3-pos., touch-proof and protection against polarity reversal, width: 225 mm

---

## EM-CPS-405 - Power distribution board

1002635

<https://www.phoenixcontact.com/us/products/1002635>



Modular power distribution board with CrossLink<sup>®</sup> interface, 125 A, 3-pos., touch-proof and protection against polarity reversal, width: 405 mm



# ELR H3-IES-PT- 24DC/500AC-9 - Hybrid motor starter



2903918

<https://www.phoenixcontact.com/us/products/2903918>

## EM-CPS-TB3/63A - Connection module

1002633

<https://www.phoenixcontact.com/us/products/1002633>



Connection module with integrated spring-loaded terminals for cables from 1.5 to 16 mm<sup>2</sup>, 3-pos., maximum 63 A

---

## EM-CPS-DA-22,5F/16A - Adapter

1002668

<https://www.phoenixcontact.com/us/products/1002668>



Device adapter with fuse holder for 16 A fuse (10x38/Class CC), CrossLink<sup>®</sup> interface and fixed DIN rail

---

Phoenix Contact 2023 © - all rights reserved  
<https://www.phoenixcontact.com>

Phoenix Contact USA  
586 Fulling Mill Road  
Middletown, PA 17057, United States  
(+717) 944-1300  
[info@phoenixcon.com](mailto:info@phoenixcon.com)