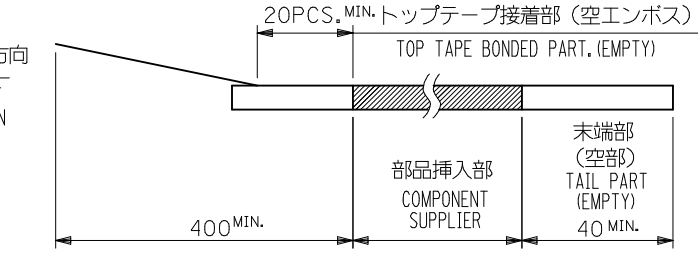
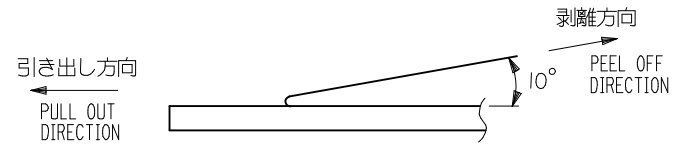
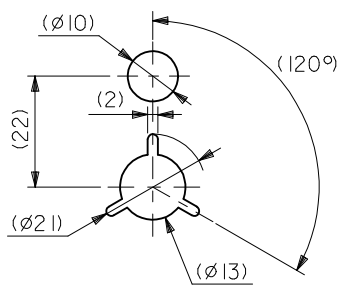
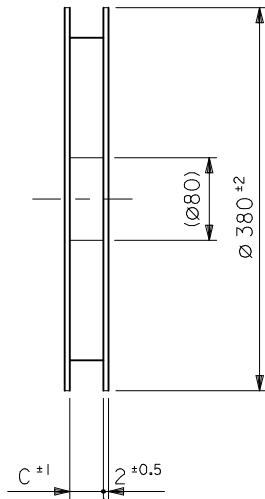
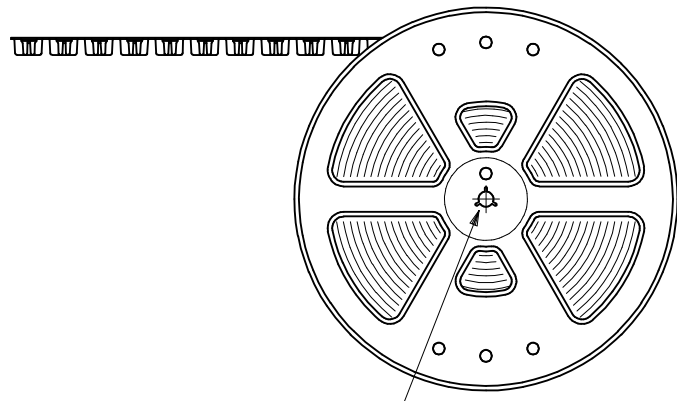


NOTES

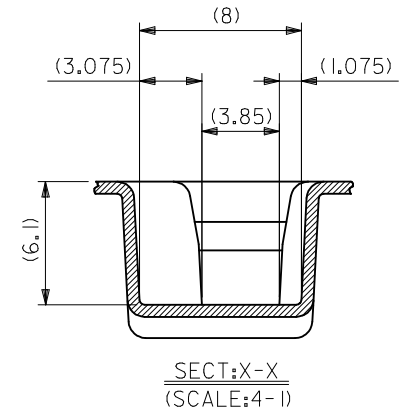
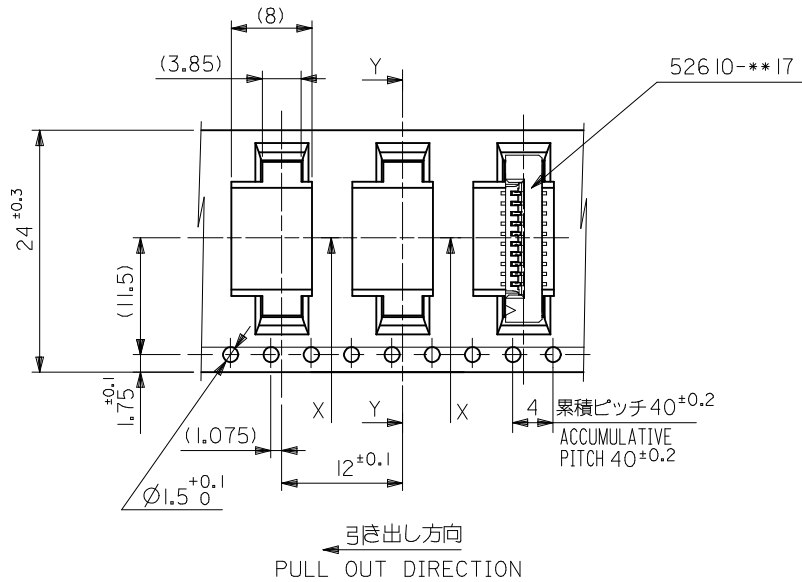
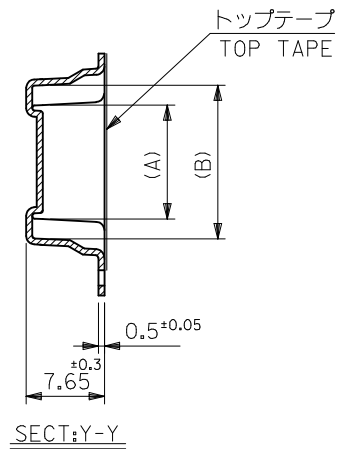
- 梱包数量：1000個/リール  
NUMBER OF CONNECTORS : 1000PCS/REEL
- リードテープ長さ LEAD TAPE LENGTH  

- トップテープの剥離強度：0.1N ~ 0.7N(10.2gf ~ 71.4gf)  
(剥離方向は下図参照)  
尚、本規格値は出荷時に適用。(但し、輸送時に剥離が発生しないこと。)  
PEELING OFF FORCE OF TOP TAPE : 0.1N ~ 0.7N(10.2gf ~ 71.4gf)  
(PEELING DIRECTION AS SHOWN IN FOLLOWING FIG,)  
THIS REQUIREMENT SHOULD BE APPLIED AT SHIPMENT.  
PEEL OFF SHOULD NOT BE ALLOWED , DURING TRANSPORTATION.  

- 52610-\*\*-17のアクチュエータはハウジング内に押し下げた状態とする。  
詳細寸法については図面 SD-52610-055 を参照下さい。  
ACTUATOR OF PART NO. 52610-\*\*-17 SHULD BE LOCKED.  
RE DETAILED DIMENSIONS , SEE SD-52610-055
- 材料(MATERIAL)  
キャリアテープ(CARRIER TAPE)：ポリプロピレン(POLYPROPYLENE)  
トップテープ(TOPTAPE)：PET , PE , PEF  
リール(REEL)：ポリスチレン (PS) <リサイクル材を含む>  
POLYSTYREN(PS) <RECYCLE MATERIAL CONTAINED>

引き出し方向  
PULL OUT DIRECTION



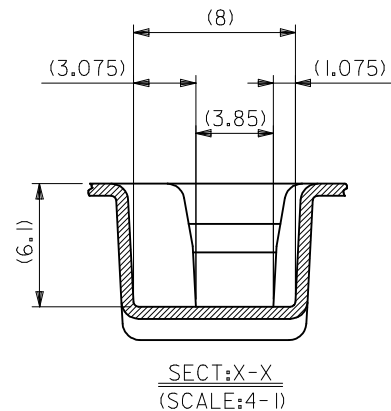
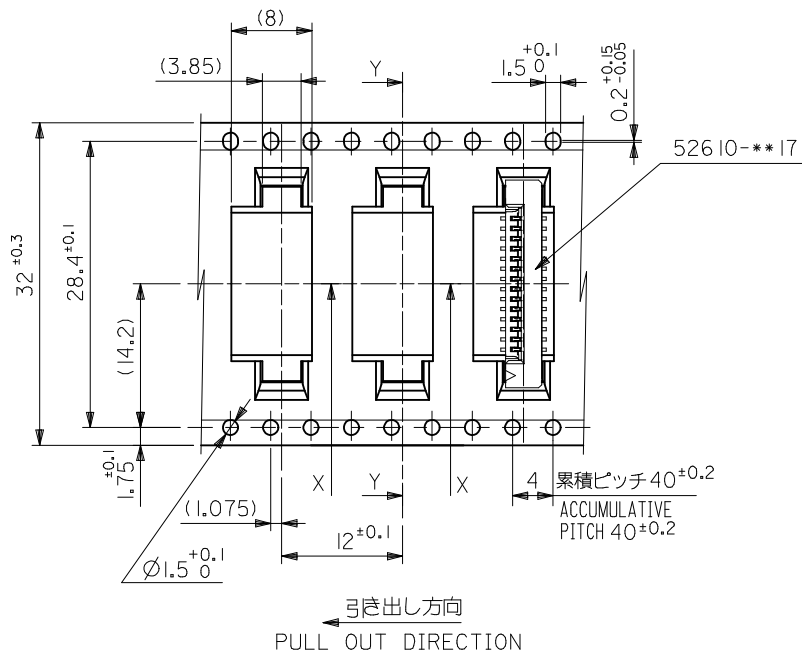
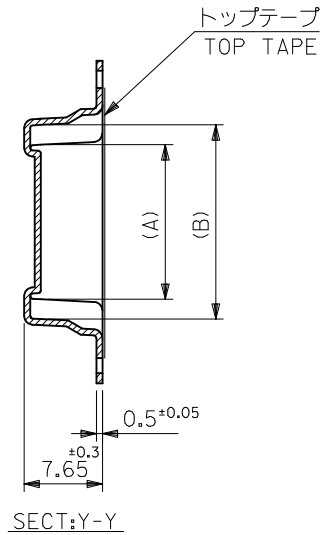
DETAIL "F"

REVISED EC NO: J2016-0434 DRWN:KONDO 2015/10/28 CHKD:KATAHASHI 2015/10/28 APPR:YNOGAWA 2015/11/17	GENERAL TOLERANCES (UNLESS SPECIFIED)			DIMENSION STYLE MM ONLY		SCALE ---	DESIGN UNITS METRIC	THIRD ANGLE PROJECTION
	0.25 UNDER	UNDER	± 0.03	DRAWN BY	DATE	TITLE		
	0.25 OVER	0.5 UNDER	± 0.05	MTAKAHASHI	104 2013/06/03	1.0 FPC CONN SMT ZIF EMBSTP PKG SHEET 1 OF 5		
	0.5 OVER	1.0 UNDER	± 0.1	CHECKED BY	DATE			
	1.0 OVER	10 UNDER	± 0.2	KATAHASHI	2013/06/03	molex		
10 OVER	30 UNDER	± 0.25	APPROVED BY	DATE				
30 OVER		± 0.3	YNOGAWA	2013/07/30	MATERIAL NO.	DOCUMENT NO.	SHEET NO.	
	ANGULAR	±3 °	SEE CHART		SD-52610-052		1 OF 5	
	DRAFT WHERE APPLICABLE MUST REMAIN WITHIN DIMENSIONS			SIZE A3	THIS DRAWING CONTAINS INFORMATION THAT IS PROPRIETARY TO MOLEX ELECTRONIC TECHNOLOGIES, LLC AND SHOULD NOT BE USED WITHOUT WRITTEN PERMISSION			



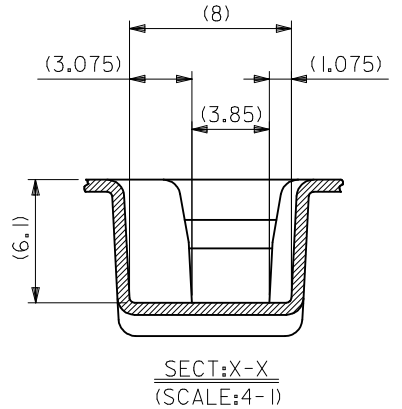
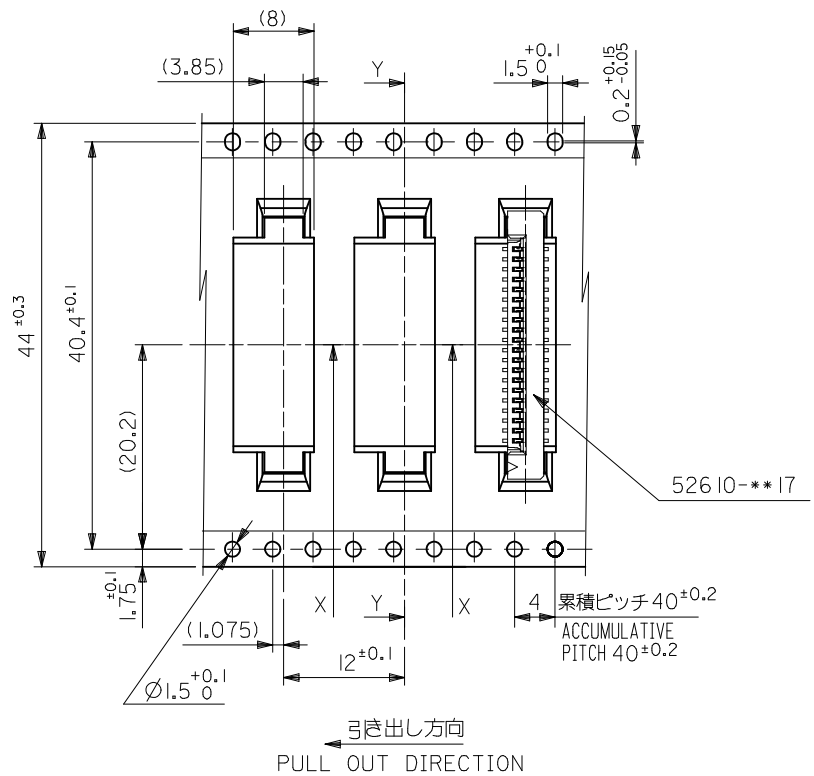
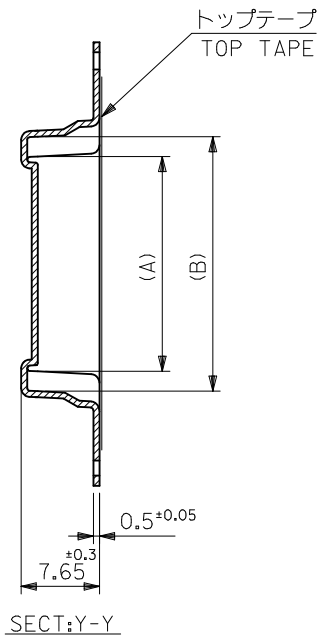
24	25.5	15.25	11.32	52610-1090	10
		13.25	9.32	52610-0890	8
		12.25	8.32	52610-0790	7
		11.25	7.32	52610-0690	6
キャリアテープ幅 CARRIER TAPE WIDTH	C	(B)	(A)	ENG. NO.	極数 CKT.

SEE SHEET 1 OF 5 EC NO: J2016-0434 DRWN:KONDO 2015/10/28 CHKD:KATAHASHI 2015/10/28 APPR:YNOGAWA 2015/11/17	GENERAL TOLERANCES (UNLESS SPECIFIED)			DIMENSION STYLE MM ONLY		SCALE ---	DESIGN UNITS METRIC	THIRD ANGLE PROJECTION
	0.25 UNDER	UNDER	±0.03	DRAWN BY	DATE	TITLE		
	0.25 OVER	0.5 UNDER	±0.05	MTAKAHASHI	04 2013/06/03	1.0 FPC CONN SMT ZIF EMBSTP PKG SHEET 2 OF 5		
	0.5 OVER	1.0 UNDER	±0.1	CHECKED BY	DATE			
	1.0 OVER	10 UNDER	±0.2	KATAHASHI	2013/06/03	molex		
10 OVER	30 UNDER	±0.25	APPROVED BY	DATE				
30 OVER		±0.3	YNOGAWA	2013/07/30	MATERIAL NO.	DOCUMENT NO.	SHEET NO.	
	ANGULAR	±3 °	SEE CHART		SD-52610-052		2 OF 5	
	DRAFT WHERE APPLICABLE MUST REMAIN WITHIN DIMENSIONS			SIZE A3	THIS DRAWING CONTAINS INFORMATION THAT IS PROPRIETARY TO MOLEX ELECTRONIC TECHNOLOGIES, LLC AND SHOULD NOT BE USED WITHOUT WRITTEN PERMISSION			



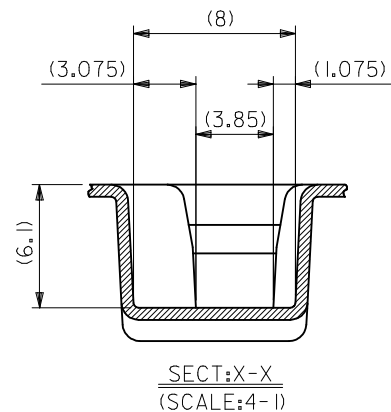
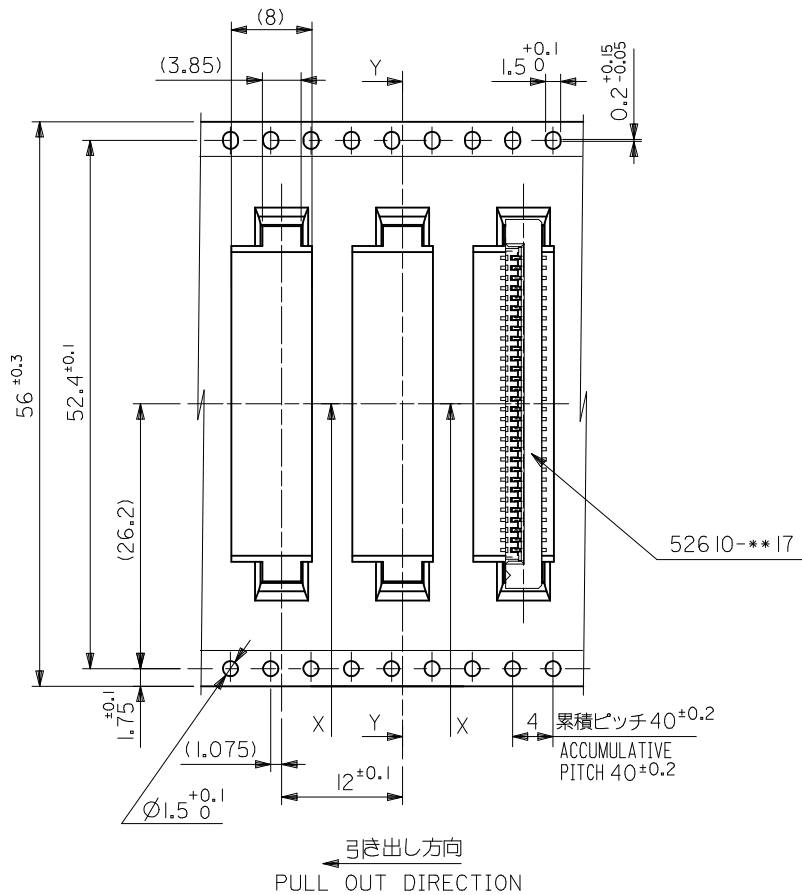
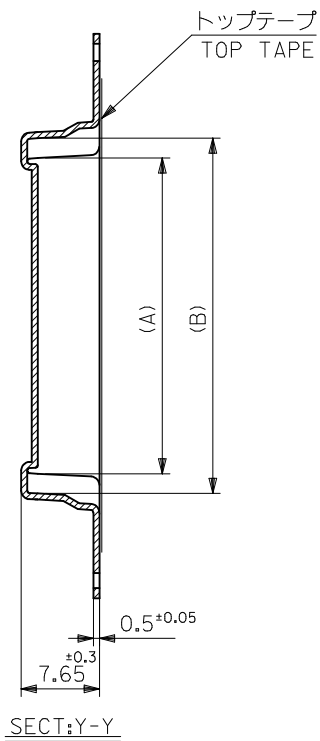
32	33.5	20.25	16.32	52610-1590	15
キャリアテープ幅 CARRIER TAPE WIDTH	C	(B)	(A)	ENG. NO.	極数 CKT.

SEE SHEET 1 OF 5 EC NO.: J2016-04/34 DRWN:KONDO 2015/10/28 CH'KD:KATAHASHI 2015/10/28 APPR:YNOGAWA 2015/11/17	GENERAL TOLERANCES (UNLESS SPECIFIED)		DIMENSION STYLE MM ONLY		SCALE ---	DESIGN UNITS METRIC	THIRD ANGLE PROJECTION
	0.25 UNDER	UNDER	±0.03	DRAWN BY	DATE	TITLE	
	0.25 OVER	0.5 UNDER	±0.05	MTAKAHASHI	04 2013/06/03	1.0 FPC CONN SMT ZIF EMBSTP PKG SHEET 3 OF 5	
	0.5 OVER	1.0 UNDER	±0.1	KTAKAHASHI	2013/06/03	<b>molex</b> DOCUMENT NO. SD-52610-052 SHEET NO. 3 OF 5	
	1.0 OVER	10 UNDER	±0.2	APPROVED BY	DATE		
10 OVER	30 UNDER	±0.25	YNOGAWA	2013/07/30	SEE CHART		
30 OVER		±0.3	MATERIAL NO.		THIS DRAWING CONTAINS INFORMATION THAT IS PROPRIETARY TO MOLEX ELECTRONIC TECHNOLOGIES, LLC AND SHOULD NOT BE USED WITHOUT WRITTEN PERMISSION		
ANGULAR	±3 °		SIZE A3				
DRAFT WHERE APPLICABLE MUST REMAIN WITHIN DIMENSIONS							



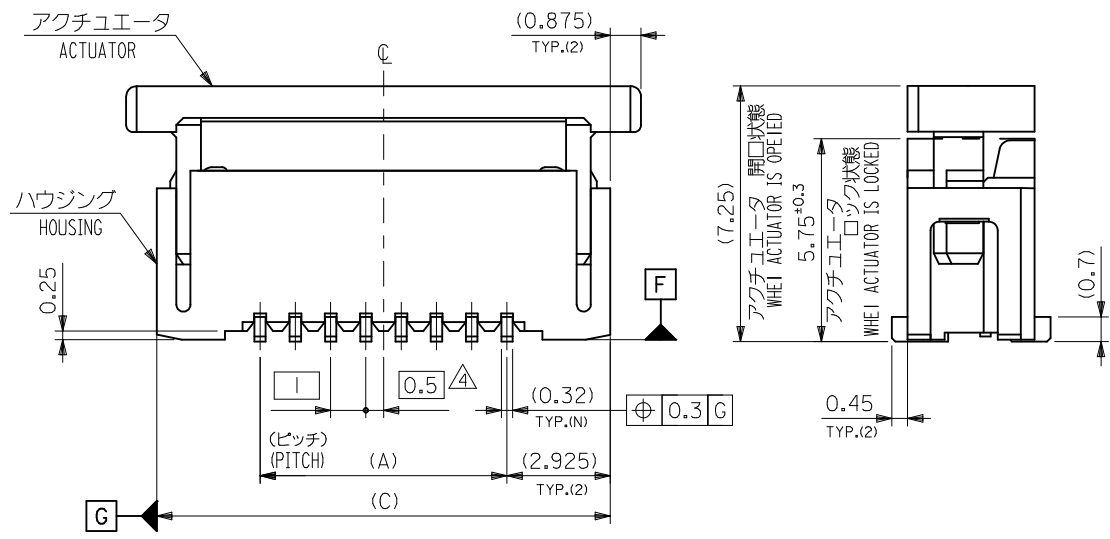
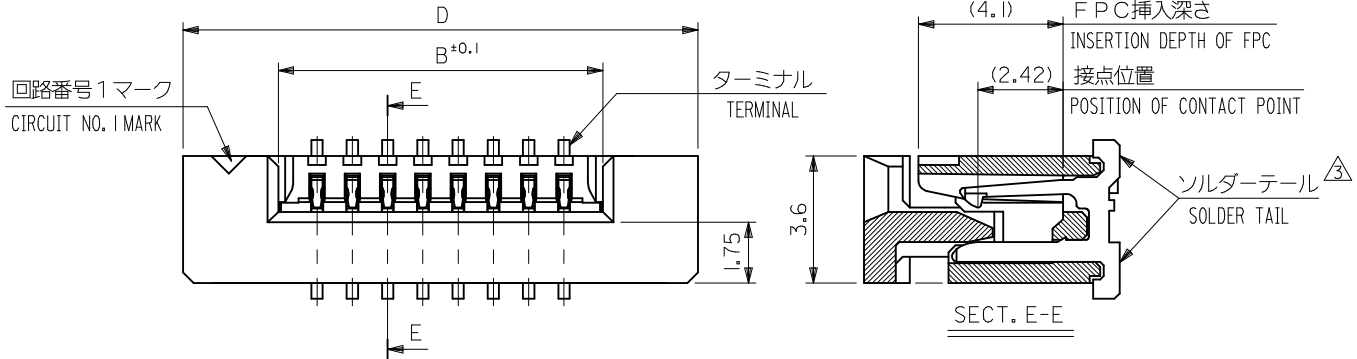
44	45.5	28.25	24.32	52610-2390	23
		27.25	23.32	52610-2290	22
キャリアテープ幅 CARRIER TAPE WIDTH	C	(B)	(A)	ENG. NO.	極数 CKT.

SEE SHEET 1 OF 5 EC NO: J2016-0434 DRWN:KONDO 2015/10/28 CHKD:KATAHASHI 2015/10/28 APPR:YNOGAWA 2015/11/17	GENERAL TOLERANCES (UNLESS SPECIFIED)		DIMENSION STYLE MM ONLY		SCALE ---	DESIGN UNITS METRIC	THIRD ANGLE PROJECTION	
	0.25 UNDER	UNDER	±0.03	DRAWN BY	DATE	TITLE		
	0.25 OVER	0.5 UNDER	±0.05	MTAKAHASHI	04 2013/06/03	1.0 FPC CONN SMT ZIF EMBSTP PKG SHEET 4 OF 5		
	0.5 OVER	1.0 UNDER	±0.1	CHECKED BY	DATE	molex		
	1.0 OVER	10 UNDER	±0.2	KTAKAHASHI	2013/06/03			
10 OVER	30 UNDER	±0.25	APPROVED BY	DATE	DOCUMENT NO.	SHEET NO.		
30 OVER		±0.3	YNOGAWA	2013/07/30	SD-52610-052	4 OF 5		
	ANGULAR	±3 °	MATERIAL NO.		SEE CHART			
DRAFT WHERE APPLICABLE MUST REMAIN WITHIN DIMENSIONS				SIZE A3	THIS DRAWING CONTAINS INFORMATION THAT IS PROPRIETARY TO MOLEX ELECTRONIC TECHNOLOGIES, LLC AND SHOULD NOT BE USED WITHOUT WRITTEN PERMISSION			



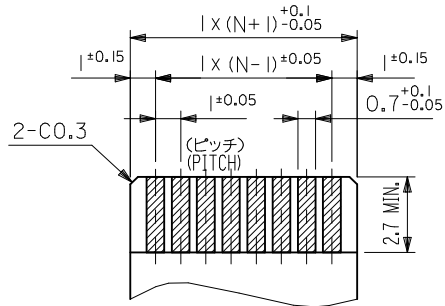
56	57.5	33.25	29.32	52610-2890	28
キャリアテープ幅 CARRIER TAPE WIDTH	C	(B)	(A)	ENG. NO.	極数 CKT.

SEE SHEET 1 OF 5 EC NO: J2016-04/34 DRWN:KONDO 2015/10/28 CHK'D:KATAHASHI 2015/10/28 APPR:YNOGAWA 2015/11/17	GENERAL TOLERANCES (UNLESS SPECIFIED)		DIMENSION STYLE MM ONLY		SCALE ---	DESIGN UNITS METRIC	THIRD ANGLE PROJECTION
	0.25 UNDER	UNDER	±0.03	DRAWN BY MTAKAHASHI04	DATE 2013/06/03	TITLE 1.0 FPC CONN SMT ZIF EMBSTP PKG SHEET 5 OF 5	
	0.25 OVER	0.5 UNDER	±0.05	CHECKED BY KTAKAHASHI	DATE 2013/06/03	<b>molex</b> DOCUMENT NO. SD-52610-052 SHEET NO. 5 OF 5	
	0.5 OVER	1.0 UNDER	±0.1	APPROVED BY YNOGAWA	DATE 2013/07/30		
	1.0 OVER	10 UNDER	±0.2	MATERIAL NO.		SEE CHART	
10 OVER	30 UNDER	±0.25	SIZE A3		THIS DRAWING CONTAINS INFORMATION THAT IS PROPRIETARY TO MOLEX ELECTRONIC TECHNOLOGIES, LLC AND SHOULD NOT BE USED WITHOUT WRITTEN PERMISSION		
30 OVER		±0.3	DRAFT WHERE APPLICABLE MUST REMAIN WITHIN DIMENSIONS				
ANGULAR	±3 °						

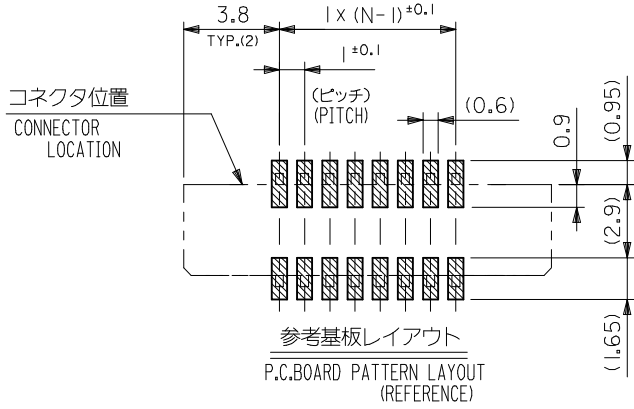


- 注記(NOTES):
- 材料(MATERIAL)  
 ハウジング (HOUSING): 46NYLON , UL94V-0  
 アクチュエータ(ACTUATOR): PPS , UL94V-0  
 ターミナル (TERMINAL): リン青銅、錫メッキ (tO. 32)  
 PHOS-BRO. TIN-PLATED
  - エンボステープ梱包時は、アクチュエータがロックした状態とする。  
 IN THE PACKAGE , ACTUATOR OF PART NO.52610-\*\*17 SHOULD BE LOCKED.
- △ ソルダーテール半田付け面のズレ量は、基準面 [F] に対し上方向 0.05 MAX. 下方向 0.15 MAX. とする。  
 MISALIGNMENT OF SOLDER TAILS FROM [F] UPPER DIRECTION : 0.05 MAX., LOWER DIRECTION : 0.15 MAX.
- △ 偶数極に適用。  
 APPLY FOR EVEN CIRCUIT.

REVISED EC NO: J2016-0434 DRWN:KONDO 2015/10/28 CHKD:KTAKAHASHI 2015/10/28 APPR:YNOGAWA 2015/11/17	GENERAL TOLERANCES (UNLESS SPECIFIED)			DIMENSION STYLE MM ONLY		SCALE ---	DESIGN UNITS METRIC	THIRD ANGLE PROJECTION		
	0.25 UNDER	UNDER	± 0.03	DRAWN BY	DATE	TITLE				
	0.25 OVER	0.5 UNDER	± 0.05	MTAKAHASHI	04 2014/02/24	1.0 FPC ZIF FOR SMT ST				
	0.5 OVER	1.0 UNDER	± 0.1	CHECKED BY	DATE	SHEET 1 OF 2				
	1.0 OVER	30 UNDER	± 0.2	KTAKAHASHI	2014/02/25					
10 OVER	30 UNDER	± 0.25	APPROVED BY	DATE	DOCUMENT NO.					SHEET NO.
30 OVER		± 0.3	YNOGAWA	2014/03/11	SEE SHEET 2 OF 2		SD-52610-055		1 OF 2	
ANGULAR ±3 °				MATERIAL NO.		THIS DRAWING CONTAINS INFORMATION THAT IS PROPRIETARY TO MOLEX ELECTRONIC TECHNOLOGIES, LLC AND SHOULD NOT BE USED WITHOUT WRITTEN PERMISSION				
DRAFT WHERE APPLICABLE MUST REMAIN WITHIN DIMENSIONS				SIZE A3						



適合FPC推奨寸法  
 APPLICABLE FPC RECOMMENDED DIM.  
 仕上がり厚さ(THICKNESS): 0.3 ± 0.05



34.6	32.85	29.2	27	52610-2817	28
29.6	27.85	24.2	22	-2317	23
28.6	26.85	23.2	21	-2217	22
21.6	19.85	16.2	14	-1517	15
16.6	14.85	11.2	9	-1017	10
14.6	12.85	9.2	7	-0817	8
13.6	11.85	8.2	6	-0717	7
12.6	10.85	7.2	5	52610-0617	6
D	(C)	B	(A)	EMBOSSED PACKAGE オーダー番号 ORDER NO.	CKT.
				CONNECTOR SERIES NO.   52610-**17	

SEE SHEET 1 OF 2 EC NO: J2016-0434 DRWN:KONDO 2015/10/28 CHKD:KATAHASHI 2015/10/28 APPR:YNOGAWA 2015/11/17	GENERAL TOLERANCES (UNLESS SPECIFIED)			DIMENSION STYLE MM ONLY		SCALE ---	DESIGN UNITS METRIC	THIRD ANGLE PROJECTION	
	0.25 UNDER	UNDER	± 0.03	DRAWN BY	DATE	TITLE			
	0.25 OVER	0.5 UNDER	± 0.05	MTAKAHASHI	104 2014/02/24	1.0 FPC CONN ZIF FOR SMT SHEET 2 OF 2			
	0.5 OVER	1.0 UNDER	± 0.1	CHECKED BY	DATE				
	1.0 OVER	10 UNDER	± 0.2	KATAHASHI	2014/02/25				
10 OVER	30 UNDER	± 0.25	APPROVED BY	DATE					
30 OVER		± 0.3	YNOGAWA	2014/03/11	MATERIAL NO.	DOCUMENT NO.	SHEET NO.		
ANGULAR ±3 °			SEE CHART		SD-52610-055		2 OF 2		
DRAFT WHERE APPLICABLE MUST REMAIN WITHIN DIMENSIONS				SIZE A3	THIS DRAWING CONTAINS INFORMATION THAT IS PROPRIETARY TO MOLEX ELECTRONIC TECHNOLOGIES, LLC AND SHOULD NOT BE USED WITHOUT WRITTEN PERMISSION				