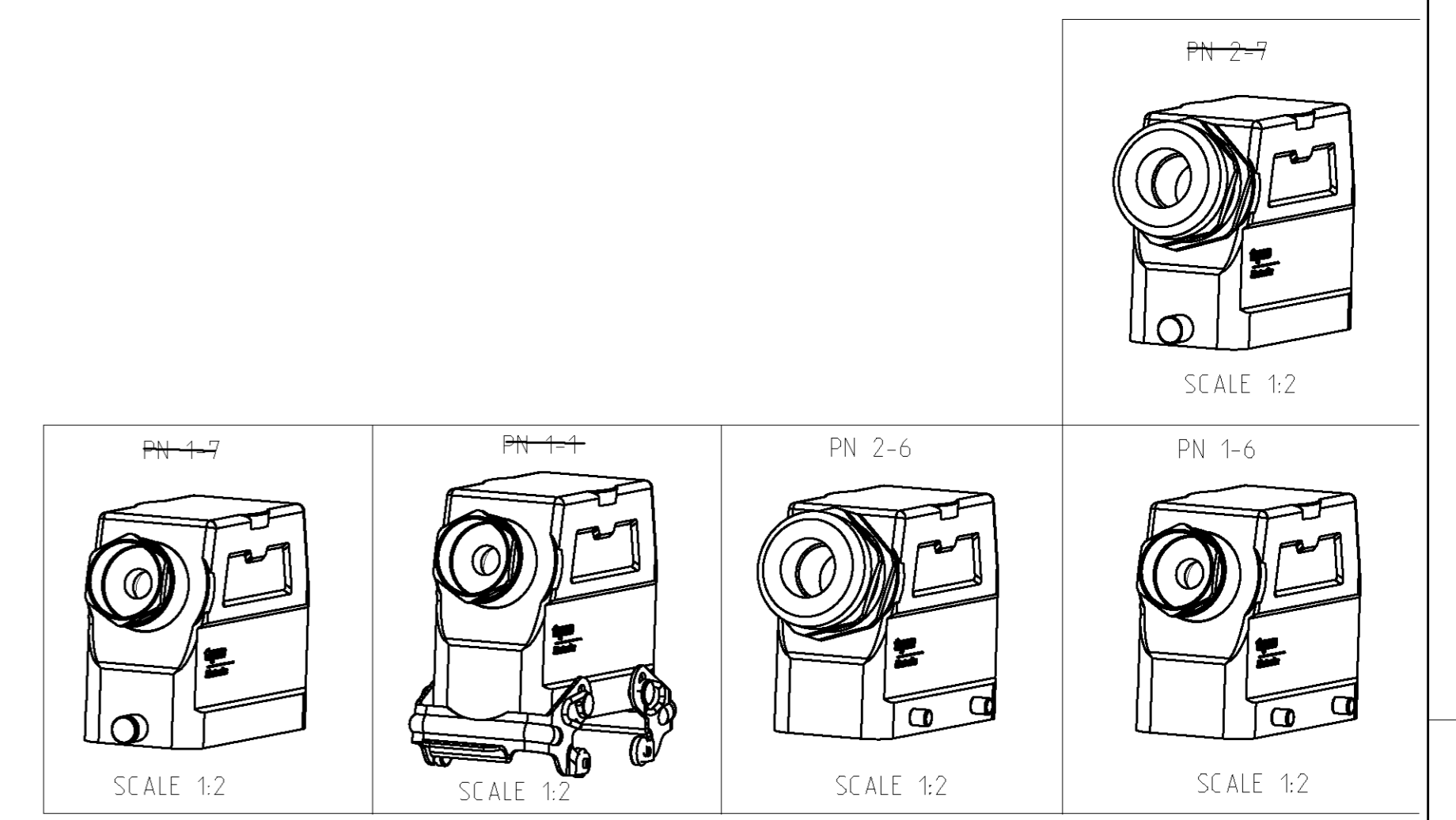


LOC	DIST	REVISIONS			
P	LTR	DESCRIPTION	DATE	OWN	APVD
A1	-	Released as per ECR-07-012890	16-07-07	SK	TS
A4	-	REVISED PER ECO-09-027197	13JAN10	KK	HMR

- NOTES
- 1 Material: Housing: aluminium diecasting alloy
Seals: Neoprene
 - 2 Surface: - powder-grey
 black
 - 3 Packaging
quantity 5 pieces in a box
 - 4 Varnish on the inside not necessary

5 OBSOLETE PARTS: OBSOLETE CIS STREAMLINING
 PER D.RENAUD/D.SINISI



QTY	REF	DESCRIPTION	MATERIAL	SURFACE	COLOR	ITEM NO	NOTES
1	1	HUT-Gland fitting PG21	Brass	Nickel plated	-	11	-
1	1	PG-Gland fitting PG21	Brass	Nickel plated	-	10	-
1	1	Cable fitting round	Steel	Zinc plated	Blue	9	-
2	2	LB-Clip bolt	Stainless Steel	-	-	8	-
2	2	LB-Clip bolt	Steel	Zinc plated	Blue	7	-
2	2	VS-Side clip	Stainless Steel	-	-	6	-
2	2	VS-Side clip	Steel	Zinc plated	Blue	5	-
4	4	VS-Clip bolt	Stainless Steel	-	-	4	-
4	4	VS-Clip bolt	Steel	Zinc plated	Blue	3	-
1	1	HOOD HD.40.Pg.1.21	Aluminium	Aluminium oxide	Black	2	-
1	1	HOOD HD.40.Pg.1.21	Aluminium	-	Grey	1	-

ORDERING TEXT

HD.40.Sts.1.21

HD-K.40.Sts.1.21

HD.40.Sts-VS.1.21

HD-K.40.Sts-VS.1.21

HD.40.Sts-GR.1.21

HD-K.40.Sts-GR.1.21

HD-Z.40.Sts-ZB.1.21

DIMENSIONS: mm 	TOLERANCES UNLESS OTHERWISE SPECIFIED: 0 PLS ± 1 PLC ± 2 PLC ± 3 PLC ± 4 PLS ± FINISH	DWN 30.03.1999 SKW Schneider APVD 30.03.1997 SKW Schweiger PRODUCT SPEC APPLICATION SPEC WEIGHT CUSTOMER DRAWING	Tyco Electronics Tyco Electronics. AMP GmbH D-53819, Neunkirchen, Germany NAME HOOD HD.40.STS.1.21 SIZE CAGE CODE DRAWING NO A 00779 C=1102562 SCALE 1:1 SHEET 1 OF 1 REV A4
-----------------------	---	---	--