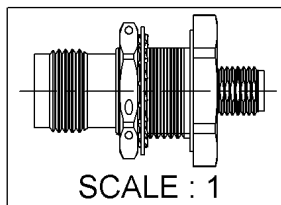
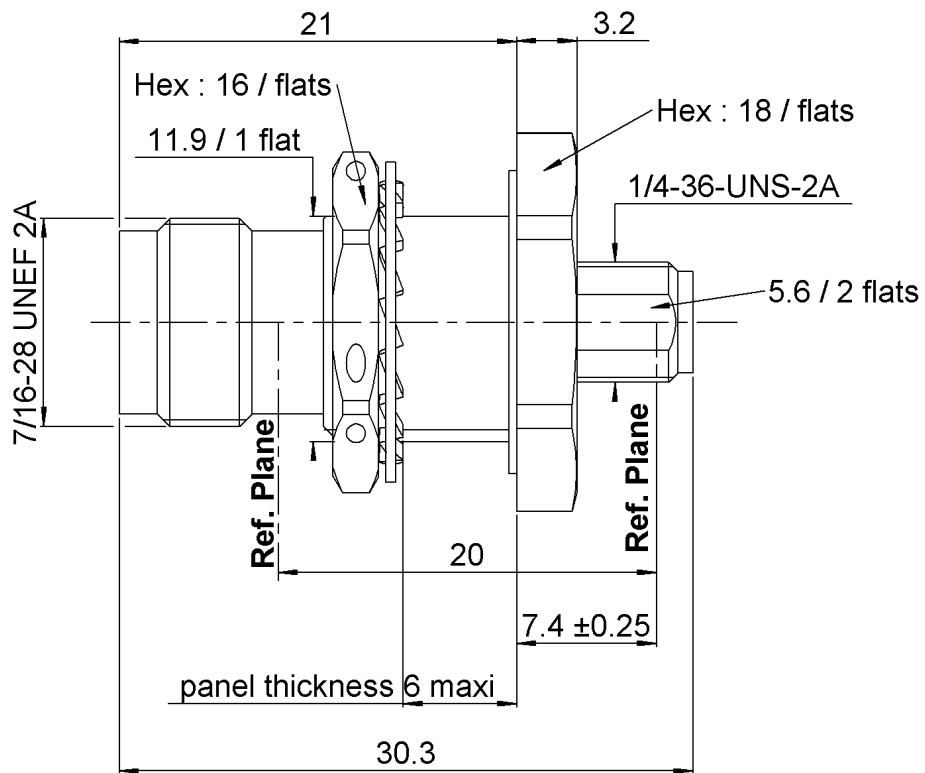
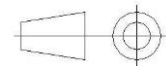
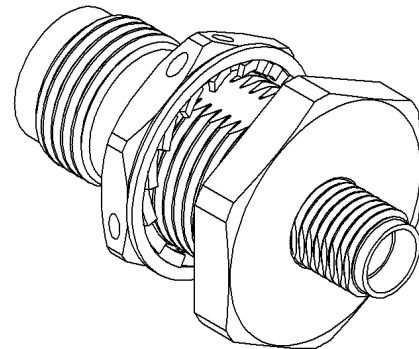
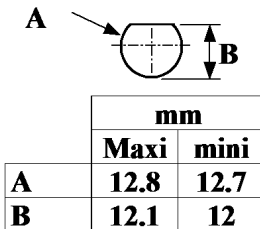


PAGE 1/2	ISSUE 17-03-17D	SERIES ADAPT	PART NUMBER R191318700
----------	-----------------	--------------	------------------------



**PANEL CUT OUT**



All dimensions are in mm.

COMPONENTS	MATERIALS	PLATING (µm)
Body	<b>BERYLLIUM COPPER</b>	<b>NICKEL .</b>
Center contact	<b>BERYLLIUM COPPER</b>	<b>GOLD OVER NICKEL</b>
Outer contact		
Insulator	<b>PTFE</b>	
Gasket	<b>FLUOROCARBON</b>	
Others parts	-	-
-	-	-
-	-	-

PAGE 2/2	ISSUE 17-03-17D	SERIES ADAPT	PART NUMBER R191318700
----------	-----------------	--------------	------------------------

**PACKAGING**

Standard	Unit	Other
1	-	Contact us

**ELECTRICAL CHARACTERISTICS**

Impedance		<b>50</b>	$\Omega$
Frequency		<b>0-18</b>	GHz
VSWR	<b>1.45*</b>	<b>+</b>	<b>0,0000</b> x F(GHz) Maxi
Insertion loss		<b>0.12</b>	$\sqrt{F}$ (GHz) dB Maxi
RF leakage		<b>- (</b>	<b>60</b> - F(GHz) dB Maxi
Voltage rating		<b>500</b>	Veff Maxi
Dielectric withstanding voltage		<b>1000</b>	Veff mini
Insulation resistance		<b>5000</b>	M $\Omega$ mini

**ENVIRONMENTAL**

Operating	<b>-55/+125</b>	$^{\circ}\text{C}$
Hermetic seal	<b>10-5</b>	Atm.cm3/s
Panel leakage	<b>IP67</b>	

**MECHANICAL CHARACTERISTICS**

Center contact retention			
Axial force – Mating End		<b>27</b>	N mini
Axial force – Opposite end		<b>27</b>	N mini
Torque		<b>2.8</b>	N.cm mini

**SPECIFICATION**

**OTHER CHARACTERISTICS**

Recommended torque			
Mating	<b>TNC</b>	<b>0</b>	N.cm
	<b>SMA</b>	<b>0</b>	N.cm
	<b>-</b>	<b>0</b>	N.cm
Panel nut		<b>370</b>	N.cm
Mating life		<b>500</b>	Cycles mini
Weight		<b>18,1000</b>	g

\*1.25 to 10GHz