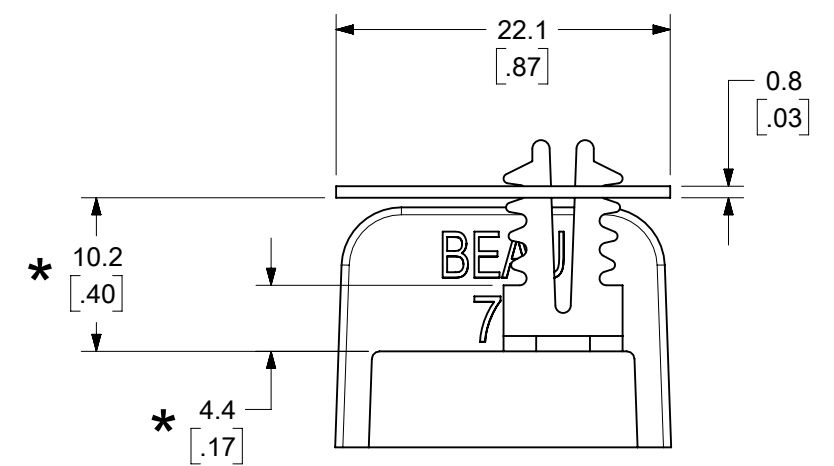
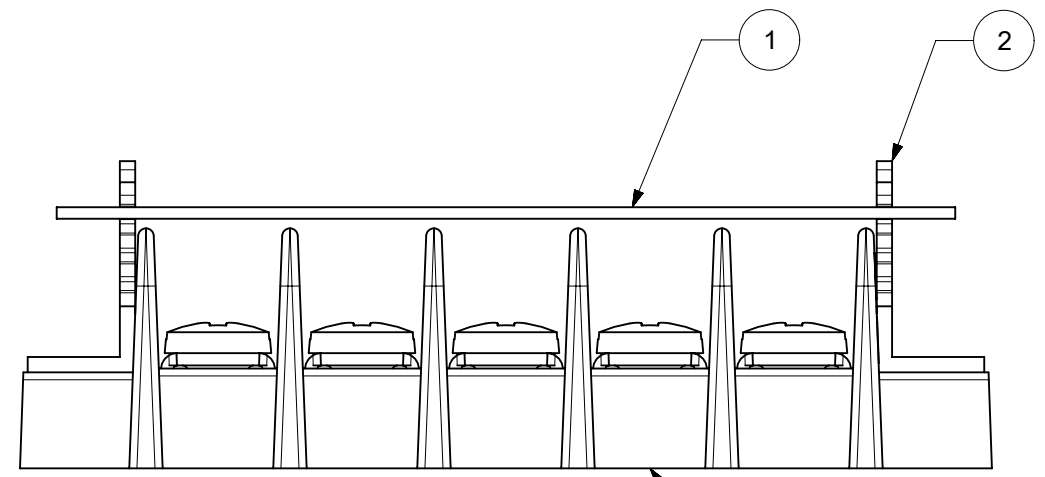
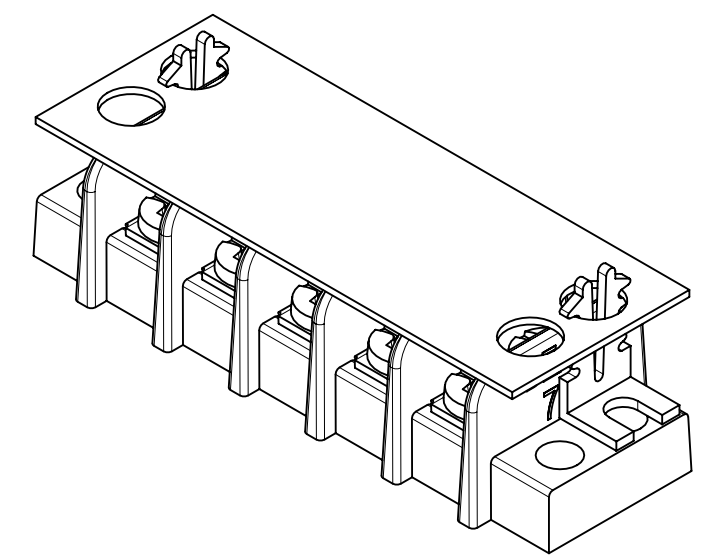
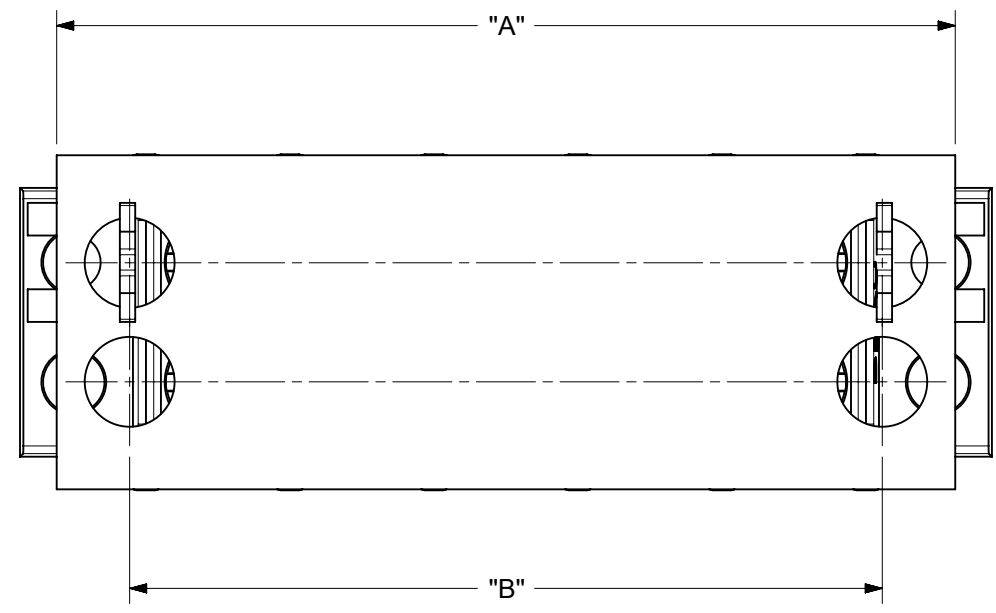


| NO. OF CIRC. | DIM "A" |         | DIM "B" |         | KIT MAT # |
|--------------|---------|---------|---------|---------|-----------|
|              | mm      | INCH    | mm      | INCH    |           |
| 2            | 31.0    | [1.22]  | 21.3    | [.84]   | 387736402 |
| 3            | 40.4    | [1.59]  | 30.9    | [1.21]  | 387736403 |
| 4            | 50.0    | [1.97]  | 40.4    | [1.59]  | 387736404 |
| 5            | 59.4    | [2.34]  | 49.9    | [1.96]  | 387736405 |
| 6            | 69.0    | [2.72]  | 59.4    | [2.34]  | 387736406 |
| 7            | 78.5    | [3.09]  | 69.0    | [2.71]  | 387736407 |
| 8            | 88.0    | [3.47]  | 78.5    | [3.09]  | 387736408 |
| 9            | 97.5    | [3.84]  | 88.0    | [3.46]  | 387736409 |
| 10           | 107.1   | [4.22]  | 97.5    | [3.84]  | 387736410 |
| 11           | 116.6   | [4.59]  | 107.1   | [4.21]  | 387736411 |
| 12           | 126.1   | [4.97]  | 116.6   | [4.59]  | 387736412 |
| 13           | 135.6   | [5.34]  | 126.1   | [4.96]  | 387736413 |
| 14           | 145.2   | [5.72]  | 135.6   | [5.34]  | 387736414 |
| 15           | 154.7   | [6.09]  | 145.2   | [5.71]  | 387736415 |
| 16           | 164.2   | [6.47]  | 154.7   | [6.09]  | 387736416 |
| 17           | 173.7   | [6.84]  | 164.2   | [6.46]  | 387736417 |
| 18           | 183.3   | [7.22]  | 173.7   | [6.84]  | 387736418 |
| 19           | 192.8   | [7.59]  | 183.3   | [7.21]  | 387736419 |
| 20           | 202.3   | [7.97]  | 192.8   | [7.59]  | 387736420 |
| 21           | 211.8   | [8.34]  | 202.3   | [7.96]  | 387736421 |
| 22           | 221.4   | [8.72]  | 211.8   | [8.34]  | 387736422 |
| 23           | 231.0   | [9.09]  | 221.4   | [8.71]  | 387736423 |
| 24           | 240.4   | [9.47]  | 230.9   | [9.09]  | 387736424 |
| 25           | 250.0   | [9.84]  | 240.4   | [9.46]  | 387736425 |
| 26           | 259.5   | [10.22] | 249.9   | [9.84]  | 387736426 |
| 27           | 269.0   | [10.59] | 259.5   | [10.21] | 387736427 |
| 28           | 278.5   | [10.97] | 269.0   | [10.59] | 387736428 |
| 29           | 288.0   | [11.34] | 278.5   | [10.96] | 387736429 |
| 30           | 297.6   | [11.72] | 288.0   | [11.34] | 387736430 |



REF. 387600105 SHOWN

- NOTES:
1. MATERIAL: SEE TABLE
  2. FINISHES: SEE TABLE
  3. PRODUCT SPECIFICATION: NOT REQUIRED
  4. PARTS SUPPLIED UNASSEMBLED
  5. MATES WITH: 14, 76 AND 77 SERIES BTS
  6. ( \*) DIMENSIONS INDICATE MAX. AND MIN. COVER HEIGHT
  7. ROHS COMPLIANT

| ITEM | QTY. | DESCRIPTION | MATERIAL         | FINISH  |
|------|------|-------------|------------------|---------|
| 2    | 2    | COVER CLIPS | ACETAL           | NATURAL |
| 1    | 1    | BTS COVER   | VULCANIZED FIBER | BLACK   |

| TOLERANCES |       |           |       |
|------------|-------|-----------|-------|
| MM         | TOL   | INCH      | TOL   |
| 0-6        | ±0.25 | 0-.24     | ±.010 |
| >6-30      | ±0.40 | .24-1.18  | ±.016 |
| >30-120    | ±0.50 | 1.18-4.76 | ±.020 |
| >120       | ±0.80 | >4.76     | ±.031 |

|  |  |                        |  |   |  |                 |  |
|--|--|------------------------|--|---|--|-----------------|--|
| FUNCTIONAL SYMBOLS                                   |  |                        |  | THIS DRAWING CONTAINS INFORMATION THAT IS PROPRIETARY TO MOLEX ELECTRONIC TECHNOLOGIES, LLC AND SHOULD NOT BE USED WITHOUT WRITTEN PERMISSION |  |                 |  |
| DIMENSION UNITS                                      |  | SCALE                  |  | CURRENT REV DESC: MIGRATED TO ECTR/NX & ADDED TOLERANCE TABLE   |  |                 |  |
| MM/INCH  |  | 2:1                    |  |   |  |                 |  |
| GENERAL TOLERANCES (UNLESS SPECIFIED)                |  |                        |  |   |  |                 |  |
| 4 PLACES ±   |  | ---                    |  | EC NO: 639830   |  |                 |  |
| 3 PLACES ±   |  | ---                    |  | DRWN: ABENJAMINLW 2020/05/20  |  |                 |  |
| 2 PLACES ±   |  | ---                    |  | CHK'D: MBRZOZOWSKI 2020/05/27   |  |                 |  |
| 1 PLACE ±  |  | ---                    |  | APPR: JFMURPHY 2020/08/11   |  |                 |  |
| 0 PLACES ±   |  | ---                    |  | INITIAL REVISION:   |  |                 |  |
| ANGULAR TOL ±  |  | ---                    |  | DRWN: JENCINAS 2009/04/09   |  |                 |  |
| DRAFT WHERE APPLICABLE MUST REMAIN WITHIN DIMENSIONS |  | THIRD ANGLE PROJECTION |  | DRAWING   |  | SERIES          |  |
|  |  | B-SIZE                 |  | 38773   |  | MATERIAL NUMBER |  |
|  |  | SEE CHART              |  | GENERAL MARKET  |  | CUSTOMER        |  |
|  |  |                        |  |   |  | SHEET NUMBER    |  |
|  |  |                        |  |   |  | 1 OF 1          |  |

**molex**

BTS COVER KIT, FLAT

PRODUCT CUSTOMER DRAWING

DOCUMENT NUMBER: SD-38773-001

DOC TYPE: PSD

DOC PART: 001

REVISION: B1