

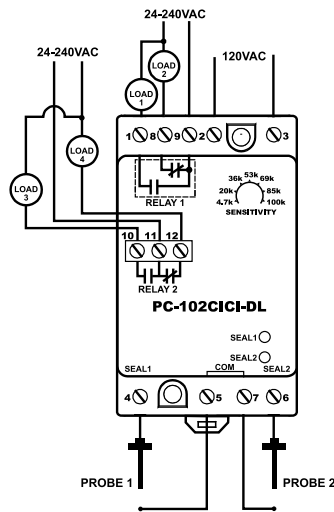
## PC-102 SERIES

### Dual Seal-Leak Detector or Seal-Leak & Over-Temperature Detector

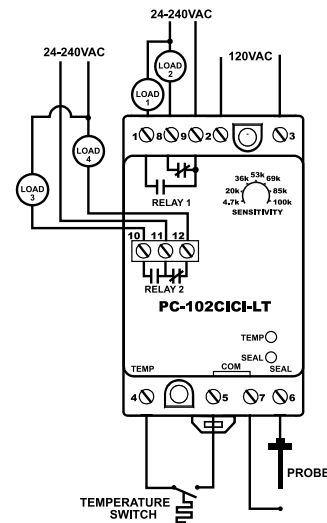


### Wiring Diagram

PC-102CICI-DL



PC-102CICI-LT



### Ordering Information

| MODEL         | LINE VOLTAGE   | DESCRIPTION   |
|---------------|----------------|---|
| PC-102CICI-DL | 120VAC nominal | Dual seal-leak detector uses inputs to sense seal failures and energize the output relay. Input logic direct or inverted is DIP switch selectable   |
| PC-102CICI-LT | 120VAC nominal | Seal-leak and over-temperature detector uses one input to sense seal failures and the temperature input to detect motor overheating. Configurable to suit various probes. Seal input logic direct or inverted, plus over-temperature trip reset automatic or manual, is DIP switch selectable |

### Description

The PC-102 is a dual-channel switch that provides dual protection against seal failures and over-temperature in submersible pumping applications.

Both units have two form-C isolated output relays and two LEDs, which illuminate when each associated output relay is energized.

The sensitivity adjustment (4.7k-100kOhms) allows you to define the input impedance at which the output relays will change state. The sensitivity for the over-temperature detector can be set to 4k Ohms with use of the DIP switches.

**This unit may not be compatible with Flygt pumps.**

### Features & Benefits

| FEATURES  | BENEFITS   |
|---|--|
| <b>Finger-safe terminals</b>                        | Meets IEC 61000 safety requirements                                  |
| <b>Compact design for DIN rail or surface mount</b> | Allows flexibility in panel installation                             |
| <b>LED Status Indicator</b>                         | Visual indication of relay engagement                                |
| <b>Two input channels</b>                           | Flexibility for pump-up/pump-down or two-channel switch applications |

### Specifications

#### Input Characteristics

**Frequency** 50/60Hz

#### Functional Characteristics

**Probe Sense Voltage** 5vdc pulsed  
**Sensitivity** 4.7k-100kΩ  
**Sensitivity (for temp)** Selectable 4kΩ with DIP switches  
**Input Logic** Direct or inverted  
**Debounce Time Delay** 0.5 or 2 seconds

#### Output Characteristics

**Relay Output Rating (2 Form C isolated)** 180VA @ 120VAC, C150  
**Pilot Duty** 5A @ 240VAC  
**General Purpose**  
**General Characteristics**  
**Temperature Range** -20° to 55°C (-4° to 131°F)  
**Maximum Input Power** 2 W  
**Depluggable Connector** Phoenix Contact-Series MSTB plugs

#### Output Relay

**Status Indicators** LEDs  
**Terminal Torque** 4.5 in.-lbs.  
**Wire range** 12-20 AWG

#### Standards Passed

**Electrostatic Discharge (ESD)** IEC 61000-4-2, Level 3, 6kV contact, 8kV air.  
**Radio Frequency Immunity (RFI)** IEC 61000-4-3, Level 3, 10V/m  
**Fast Transients** IEC 61000-4-4, Level 3, 4kV input power  
 2kV inputs/outputs

#### Safety Marks

**UL** UL508 (File #E68520)  
**Dimensions** **H** 88.9 mm (3.5"); **W** 52.93 mm (2.08");  
**D** 59.69 mm (2.35")  
**Weight** 0.9 lb. (14.4 oz., 408.23 g)  
**Mounting Method** 35mm DIN rail or Surface Mount (#6 or #8 screws)